

ATM3221- PV Remote Control Reference Design

Release Date	Revision	Design Eng.	Design Note
2021/03/02	Rev. 01	Joe	Preliminary release
2021/06/04	Rev. 02	Albert	1. Add External Charger Circuit and Modify D-MIC Circuit 2. Change pin name : U1-A13 from HARV2_INP to NC U1-A14 from HARV2_INN to NC

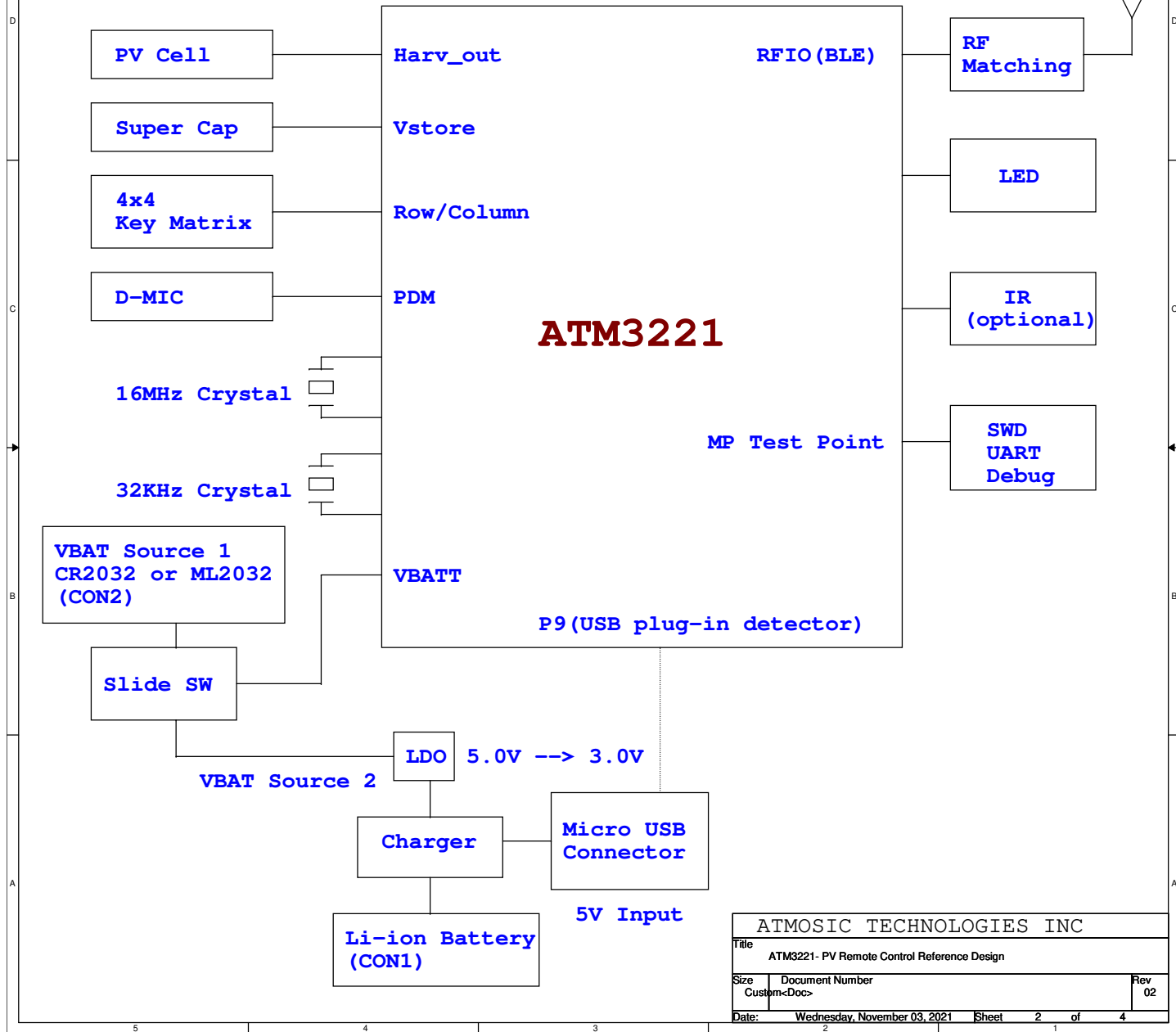
Atmosic Technologies, Inc
 910 E. Hamilton Ave, Suite 550
 Campbell, CA 95008, USA

ATMOSIC TECHNOLOGIES INC		
Title		
ATM3221- PV Remote Control Reference Design		
Size	Document Number	Rev
B	<Doc>	02
Date:	Wednesday, November 03, 2021	Sheet 1 of 4

Atmosic Technologies Proprietary and Confidential

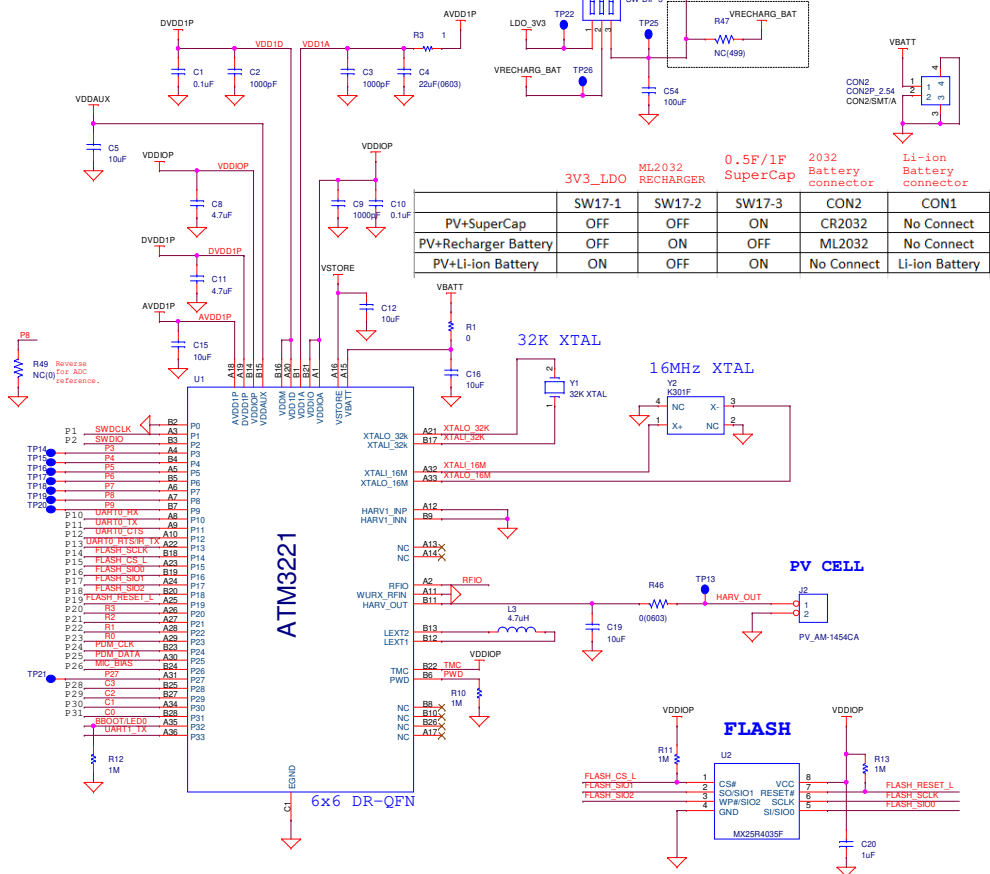
ATM3221- PV Remote Control Block Diagram

2.4GHz
PCB Antenna



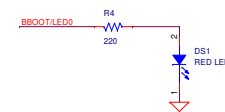
ATMOSIC TECHNOLOGIES INC		
Title ATM3221- PV Remote Control Reference Design		
Size Custom<Doc>	Document Number	Rev 02
Date: Wednesday, November 03, 2021 Sheet 2 of 4		

ATM3221

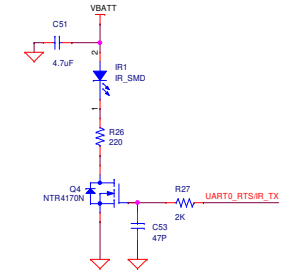


	3V3_LDO	ML2032 RECHARGER	0.5F/1F SuperCap	2032 Battery connector	Li-ion Battery connector
PV+SuperCap	OFF	OFF	ON	CR2032	No Connect
PV+Recharger Battery	OFF	ON	OFF	ML2032	No Connect
PV+Li-ion Battery	ON	OFF	OFF	No Connect	Li-ion Battery

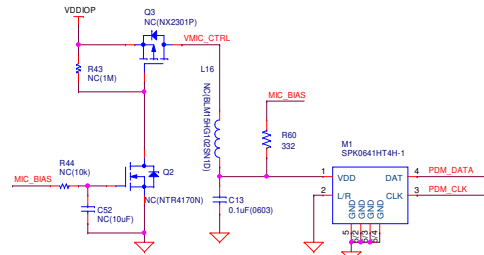
LED0



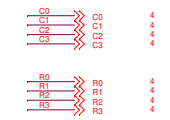
IR LED (Optional)



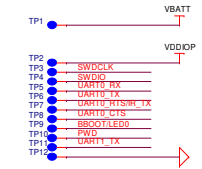
D-MIC



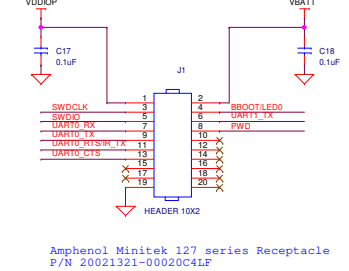
KSO/KSI KEY



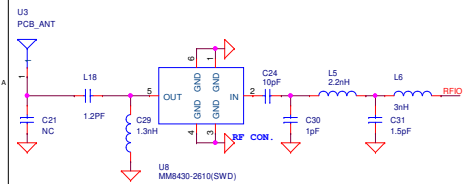
MP Test Point



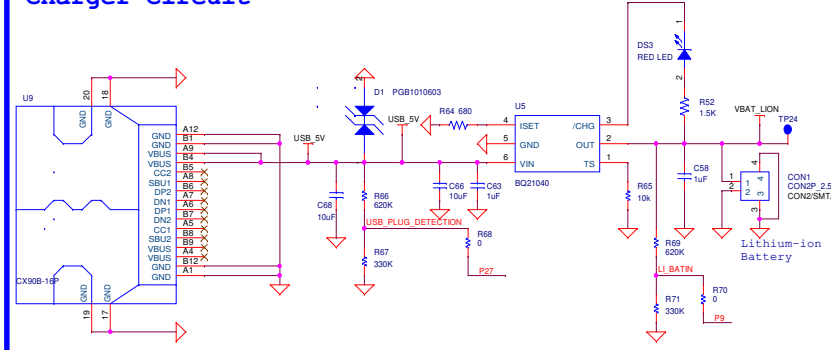
TO INTERFACE BOARD



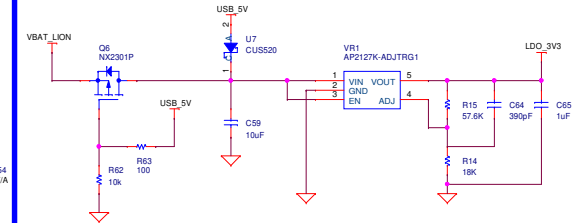
RFIO

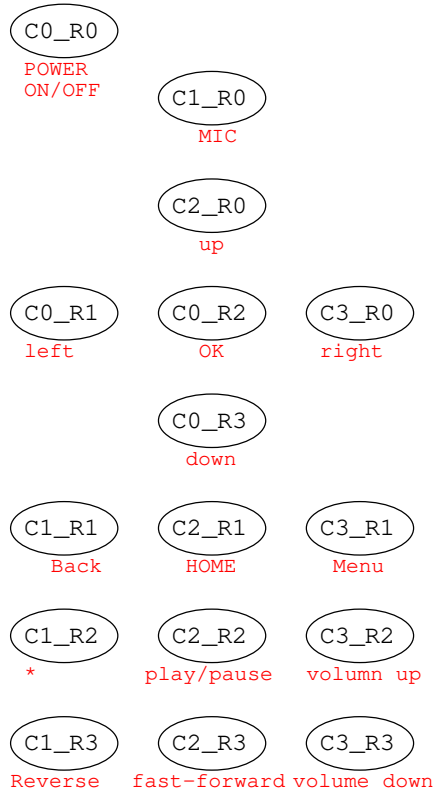


Charger Circuit



3.3V LDO





	Column 0 P31	Column 1 P30	Column 2 P29	Column 3 P28
Row 0 P23				
Row 1 P22				
Row 2 P21				
Row 3 P20				

