

# ATM2201 EVALUATION BOARD

Release Date	Revision	Design Eng.	Design Note
05/31/2019	Rev. A	SK	Initial release
07/31/2019	Rev. B	SK	Changed TP9 to test loop Added C35=10uF to VSTORE Added R42 to Flash CS#
08/15/2019	Rev. C	SK	Removed L1 on VDD1A. Added a connection from VAUX to VDDIOP (JP8). Added a connection from VCC_3V_BD to VBATT (JP7). Added C36 & C37. Pulled R42 on FLASH_CS_L to VCCIO. Added L7 in series with C33 on RFIO.
10/14/2019	Rev. C1	CL	Changed C1, C5, C6, C7, C8, C16, C17, C18, C19, C20, C21, C22, C23, C24, C25, C36, C37 to NL. Changed C10, C13 from 10uF to 4.7uF. Changed C4 from 220uF to 100uF. Changed C9 from 10uF to 1.0uF. Changed C12 from 1.0uF to 10uF. Changed WURX matching. Added note for C2 to operate below -20°C.
02/14/2020	Rev. C2	SK	Changed values for RFIO match.
02/08/2021	Rev. E2	AD	Modified schematic for new RF match.
04/22/2021	Rev. E2a	AD	Specifically for ATM2201. Changed Harvester match to NL
12/03/2021	E2a-02	AD	Changed C9 (VDDAUX) from 1uF to 10uF to support fast power cycling

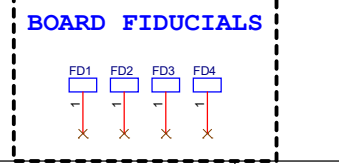
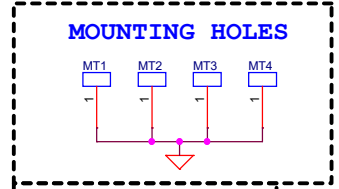
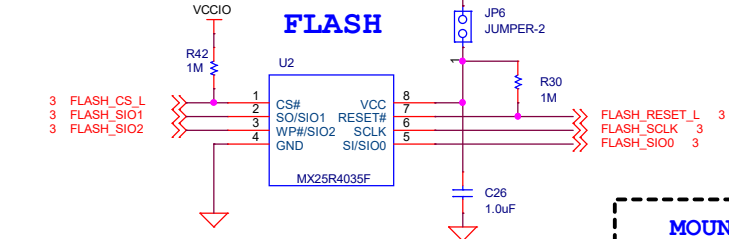
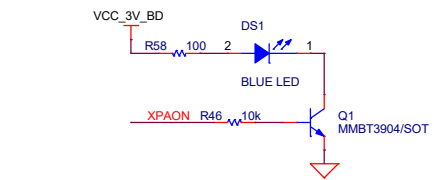
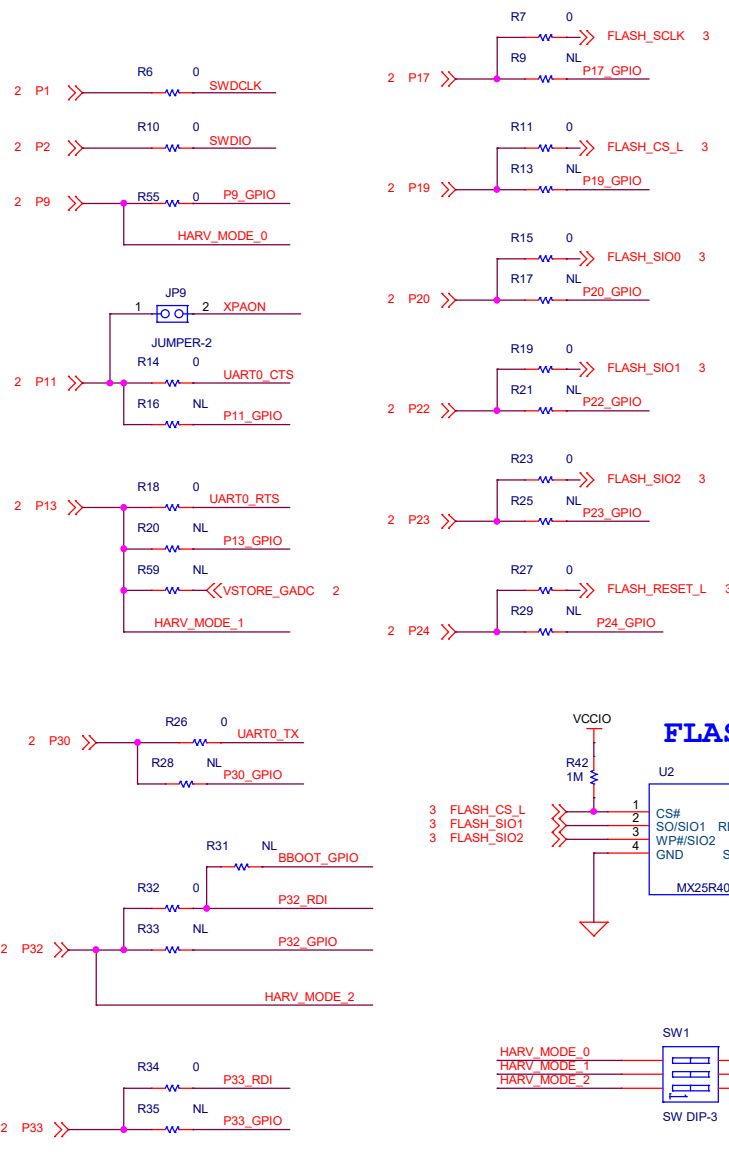
**Atmosic Technologies, Inc**  
 2105 South Bascom Avenue, Suite 220  
 Campbell, CA 95008

ATMOSIC TECHNOLOGIES INC		
Title ATM2201 EVALUATION BOARD		
Size B	Document Number <Doc>	Rev E2a-02
Date:	Friday, December 03, 2021	Sheet 1 of 4

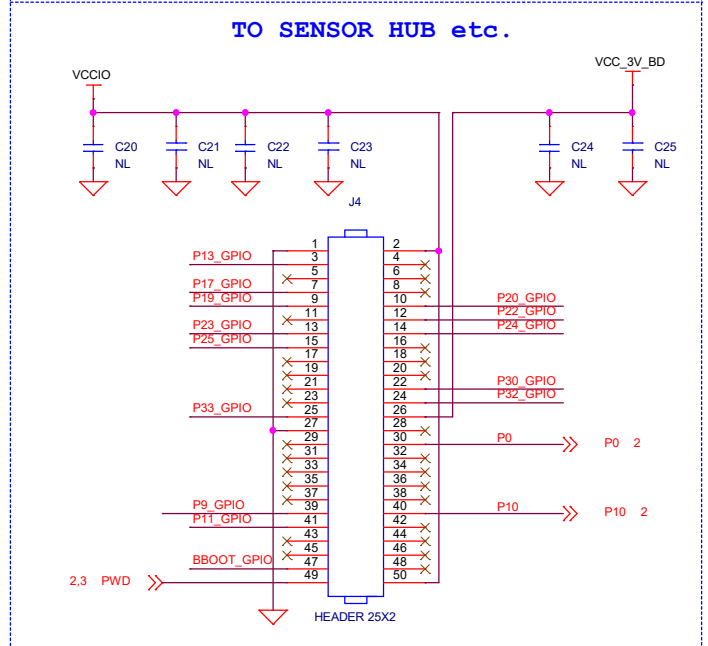
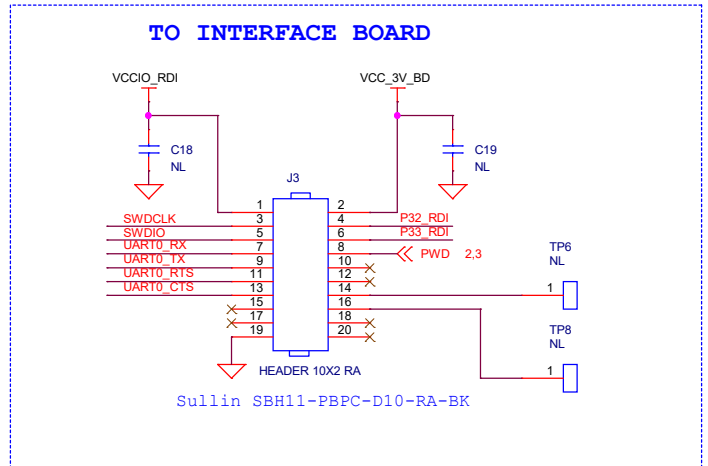
**Atmosic Technologies Proprietary and Confidential**



# GPIOs SELECTION

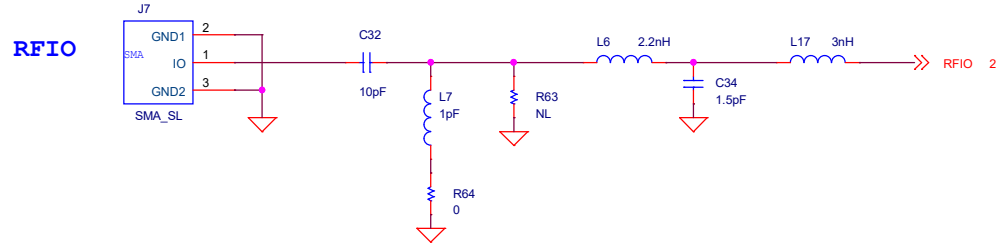


# CONNECTORS

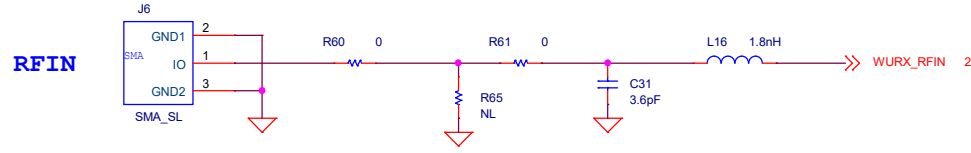


ATMOSIC TECHNOLOGIES INC			
Title	ATM2201 EVALUATION BOARD		
Size B	Document Number	Rev E2a-02	
Date:	Friday, December 03, 2021	Sheet	3 of 4

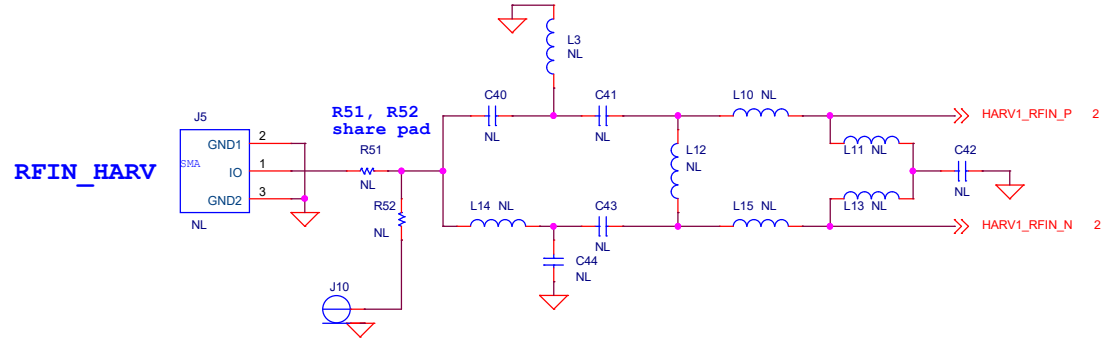
### BLE front-end & ANT



### WuRx front-end & ANT



### RF Harvester front-end & ANT - NO LOAD



ATMOSIC TECHNOLOGIES INC	
Title	ATM2201 EVALUATION BOARD
Size B	Document Number <Doc> Rev E2a-02
Date:	Friday, December 03, 2021 Sheet 4 of 4