

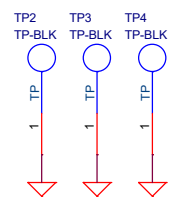
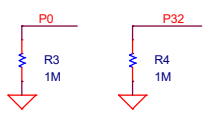
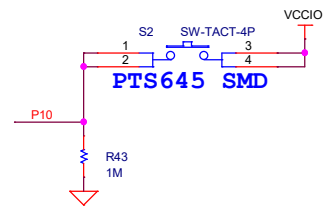
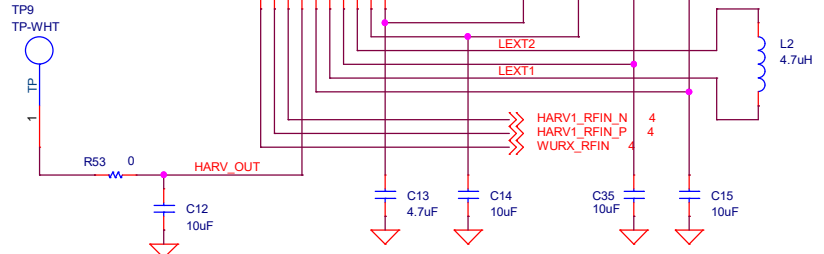
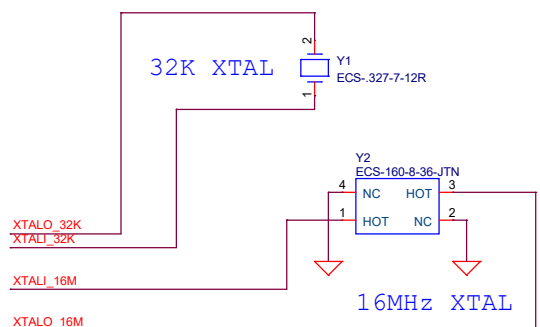
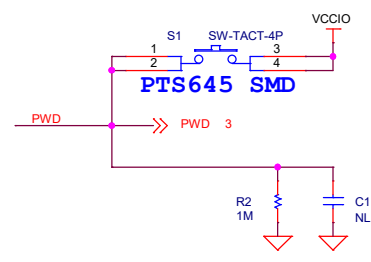
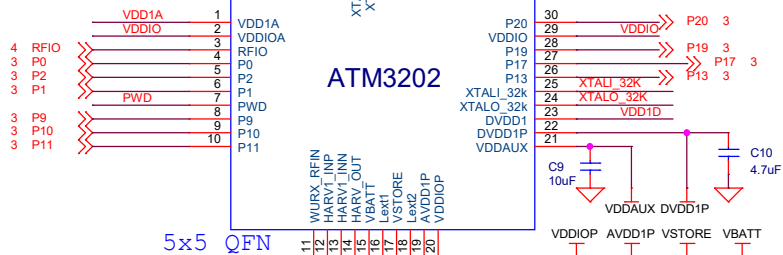
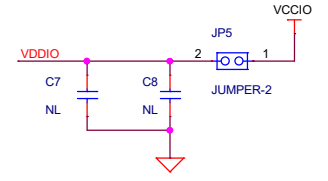
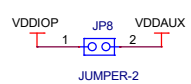
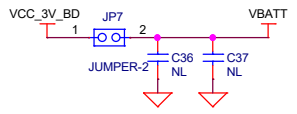
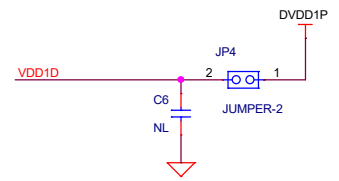
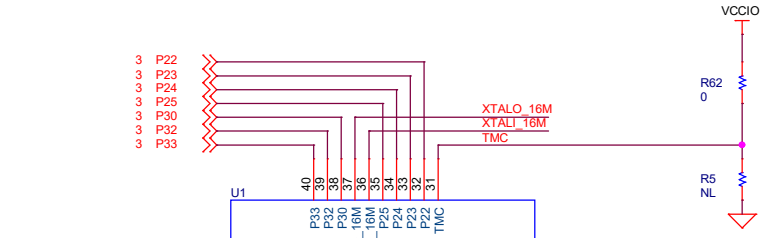
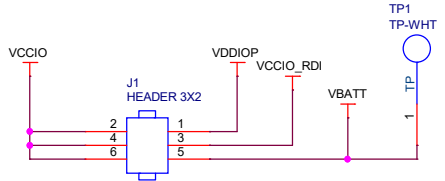
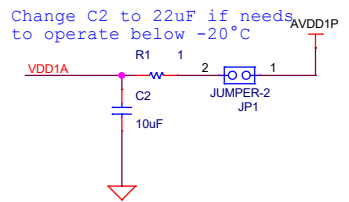
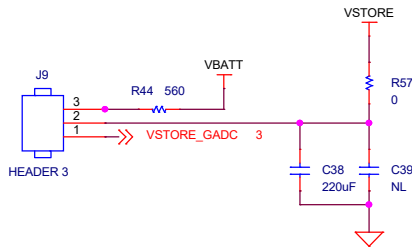
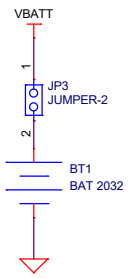
# ATM3202 EVALUATION BOARD

Release Date	Revision	Design Eng.	Design Note
05/31/2019	Rev. A	SK	Initial release
07/31/2019	Rev. B	SK	Changed TP9 to test loop Added C35=10uF to VSTORE Added R42 to Flash CS#
08/15/2019	Rev. C	SK	Removed L1 on VDD1A. Added a connection from VAUX to VDDIOP (JP8). Added a connection from VCC_3V_BD to VBATT (JP7). Added C36 & C37.  Pulled R42 on FLASH_CS_L to VCCIO. Added L7 in series with C33 on RFIO.
10/14/2019	Rev. C1	CL	Changed C1, C5, C6, C7, C8, C16, C17, C18, C19, C20, C21, C22, C23, C24, C25, C36, C37 to NL. Changed C10, C13 from 10uF to 4.7uF. Changed C4 from 220uF to 100uF. Changed C9 from 10uF to 1.0uF. Changed C12 from 1.0uF to 10uF. Changed WURX matching. Added note for C2 to operate below -20°C.
02/14/2020	Rev. C2	SK	Changed values for RFIO match.
02/08/2021	Rev. E2	AD	Modified schematic for new RF match.
04/22/2021	Rev. E2c	AD	Specifically for ATM3202. Changed Flash to NL
12/03/2021	E2c-02	AD	Changed C9 (VDDAUX) from 1uF to 10uF to support fast power cycling

**Atmosic Technologies, Inc**  
2105 South Bascom Avenue, Suite 220  
Campbell, CA 95008

ATMOSIC TECHNOLOGIES INC		
Title ATM3202 EVALUATION BOARD		
Size B	Document Number <Doc>	Rev E2c-02
Date:	Friday, December 03, 2021	Sheet 1 of 4

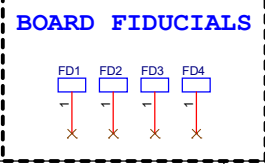
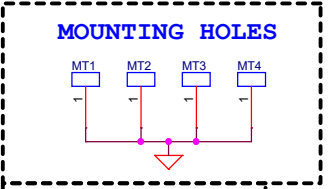
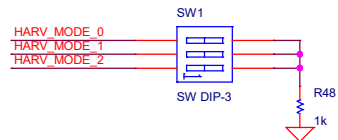
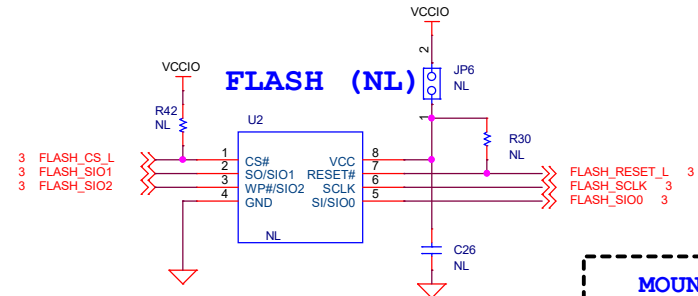
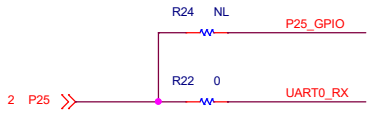
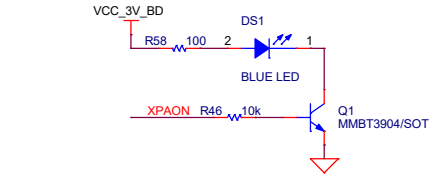
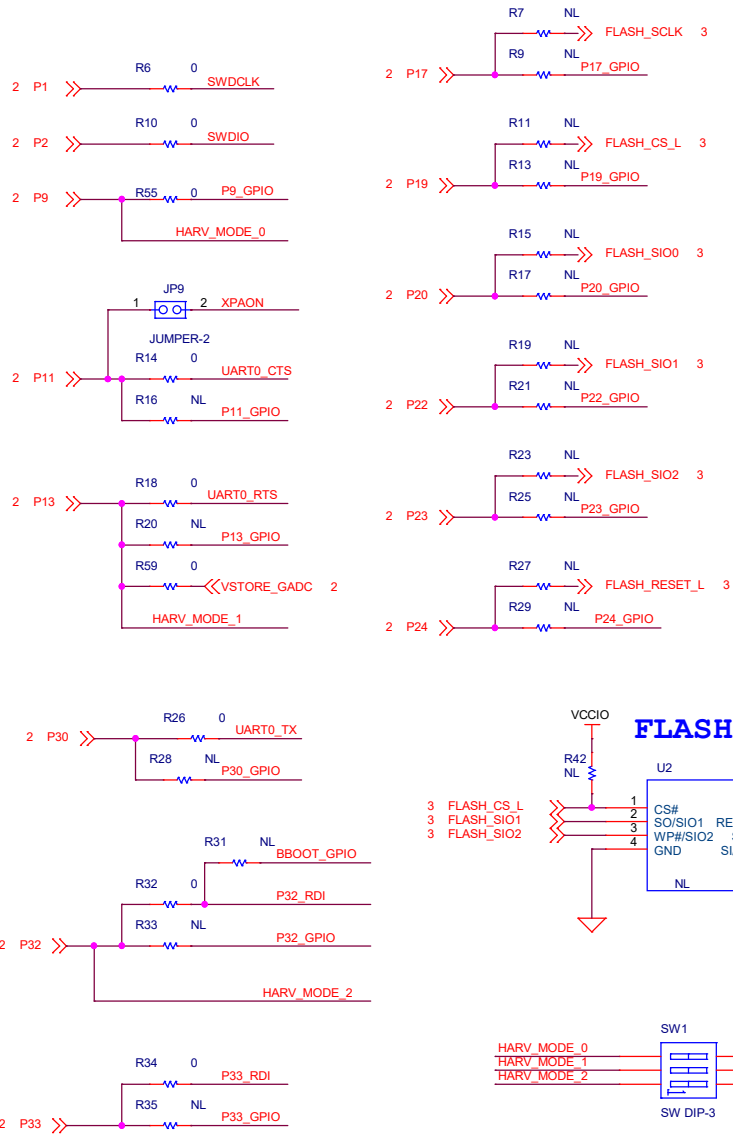
**Atmosic Technologies Proprietary and Confidential**



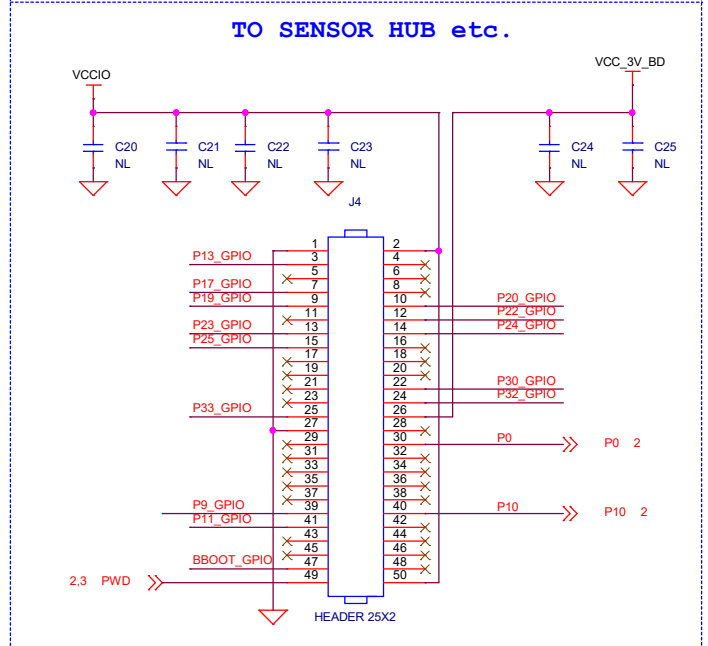
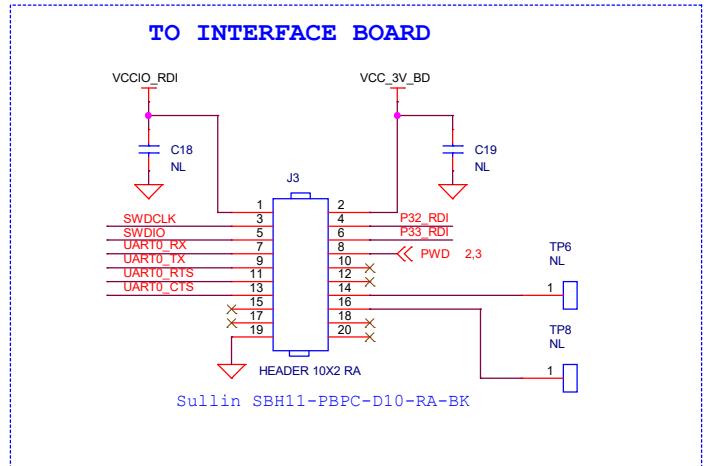
Atmosic Technologies Proprietary and Confidential

ATMOSIC TECHNOLOGIES INC	
Title ATM3202 EVALUATION BOARD	
Size B	Document Number <Doc>
Date: Friday, December 03, 2021	Rev E2c-02
Sheet 2	of 4

# GPIOs SELECTION

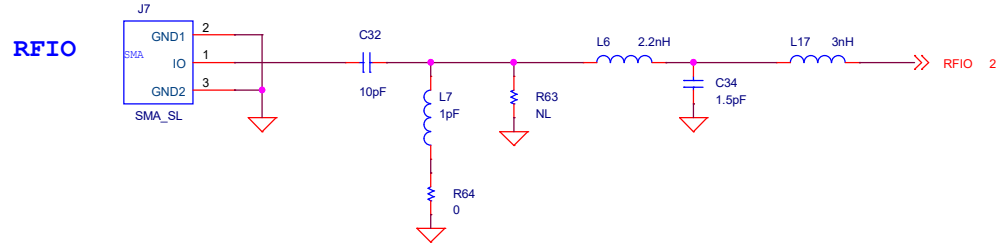


# CONNECTORS

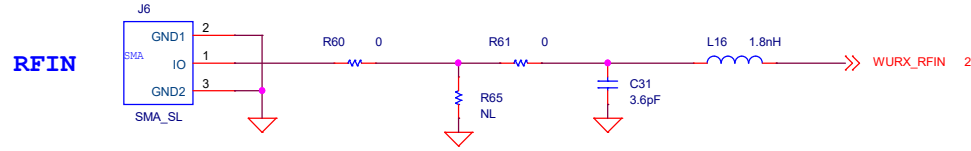


ATMOSIC TECHNOLOGIES INC			
Title ATM3202 EVALUATION BOARD			
Size B	Document Number <Doc>	Rev E2c-02	
Date:	Friday, December 03, 2021	Sheet 3	of 4

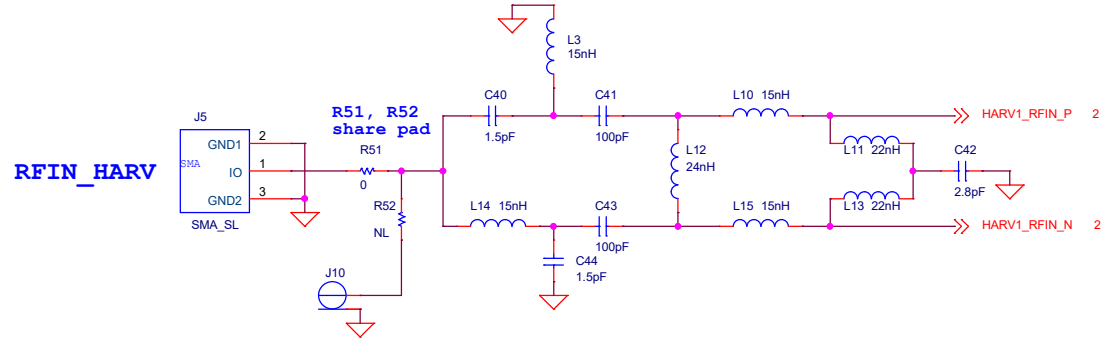
### BLE front-end & ANT



### WuRx front-end & ANT



### RF Harvester front-end & ANT



ATMOSIC TECHNOLOGIES INC	
Title	ATM3202 EVALUATION BOARD
Size B	Document Number <Doc> Rev E2c-02
Date:	Friday, December 03, 2021 Sheet 4 of 4