

# ATM3330e EVALUATION BOARD (with J-Link OB)

Release Date	Revision	Design Eng.	Design Notes
10/03/21	-00	AD	Initial release
12/01/21	-10	AD	Ground pin 33 of MK22 Change Paris Part Number to ATM3330e Change resistors and supplies to adjust brightness of LEDs Change R61 to 20K and R62 to 16K due to availability Change several components to NL by default Short SB119 by default Add two SB121 and SB122 to VDDPA
5/25/22	-20	AD	Remove the 20-pin Interface connector J8 Remove the Arduino connectors J10, J11, J13, J14 Remove the Trace/Debug connectors J7, J9 All GPIOs directly connected to J12 Analog switches are used to connect/disconnect K22 and peripherals
7/20/22	-21	AD	Loaded R69 I2C data pull-up 915MHz Harvester Match Updated RFIO Match Updated Li-Ion charge pump ckt Changed VAUX cap to 4.7uF and C63 to 0ohm Load C17 (VDDPA bypass) with 1uF
11/08/22	-22	AD	Updated U1 pin names for pins 20 (VBAT) and 28 (VBATLI) Renamed nets: VBATT to VBAT, and VBATTLI to VBATLI Updated RFIO Match (L11, C21, L12, C20) Updated WuRx Match (C25, L4, C24)
11/21/22	-31	AD	Changed JP29 to J28 to select between VBAT and VBATLI Removed C9 and JP3 (harvesting meter), added a TP25 (VSTORE) Added R99 to keep SWD and BBOOT connected by default Added short SB145 and R101, R102 to Li-Ion Charging Ckt Added short SB146 to ground the negative terminal of PV cell Changed C63 (0ohms on RES pin 29 of U1) to R103 (0ohms) Added R104 as an option to connect VCCIO to Coin Cell Added Brownout/LPComp Ckt (R105, R106, C73) Added R100 between P13 and U7 Changed 32kHz clock for boost ckt from P13 to P4
03/31/23	-32	AD	Modified the description for C12
08/15/23	-40	AD	Added VCCIO tracking circuit. Changed Sensor control from I2C1 (P6/P7) to I2C0 (P16/P17). Added inductive boost circuit option.
12/21/23	-50	AD	Add R123 100Kohm (0402) resistor to pull down the BENIGN_BOOT signal.
9/18/24	-51	JoeC	Add Notes for "Li-Ion Charging Ckts".

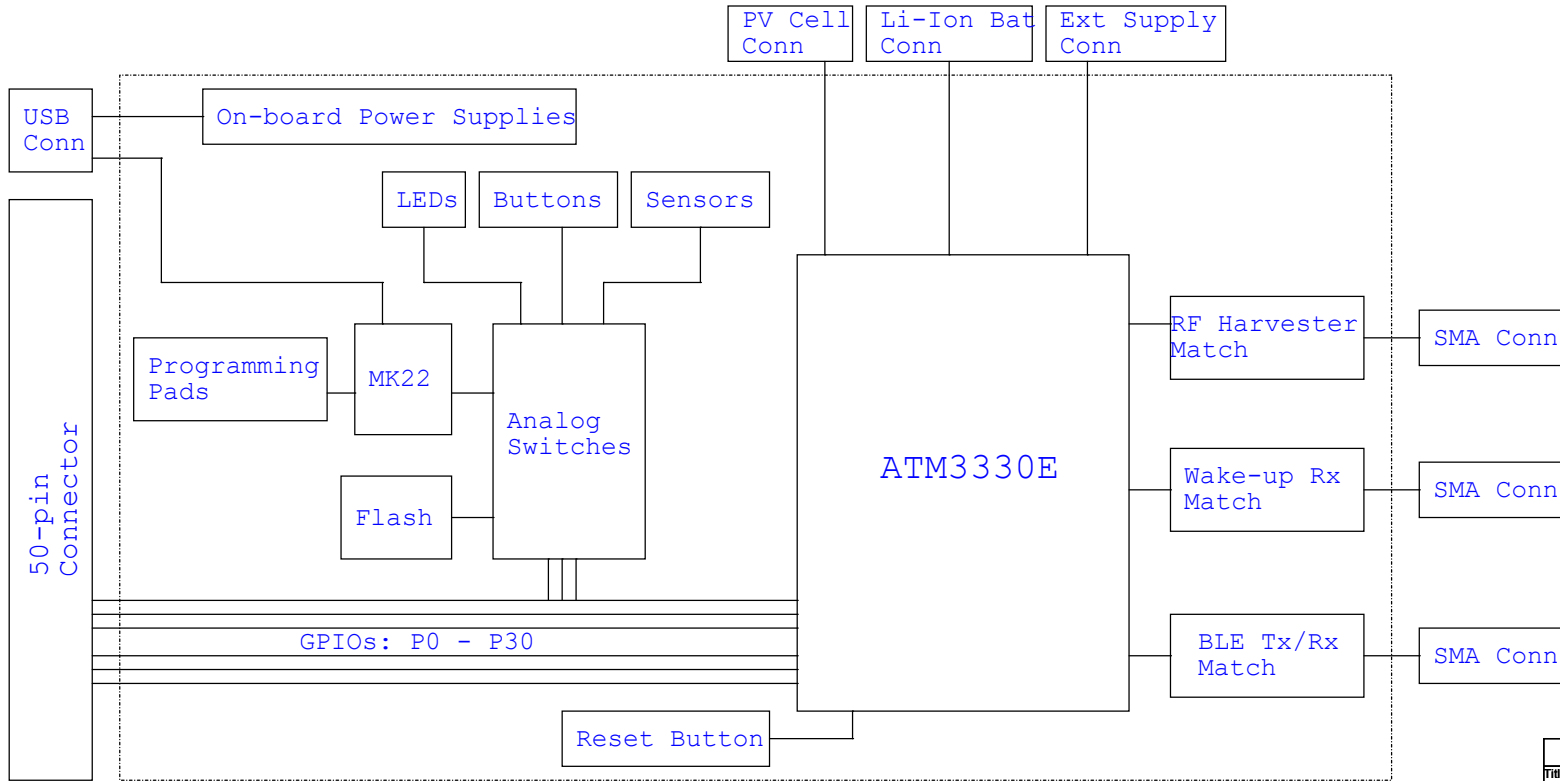
ATMOSIC TECHNOLOGIES INC		
Title	ATM3330E EVALUATION BOARD	
Size B	Document Number 052-50-611-xxxx	Rev 5.1
Date:	Wednesday, September 18, 2024 Sheet 1 of 11	

**Atmosic Technologies, Inc**  
2105 South Bascom Avenue, Suite 220  
Campbell, CA 95008

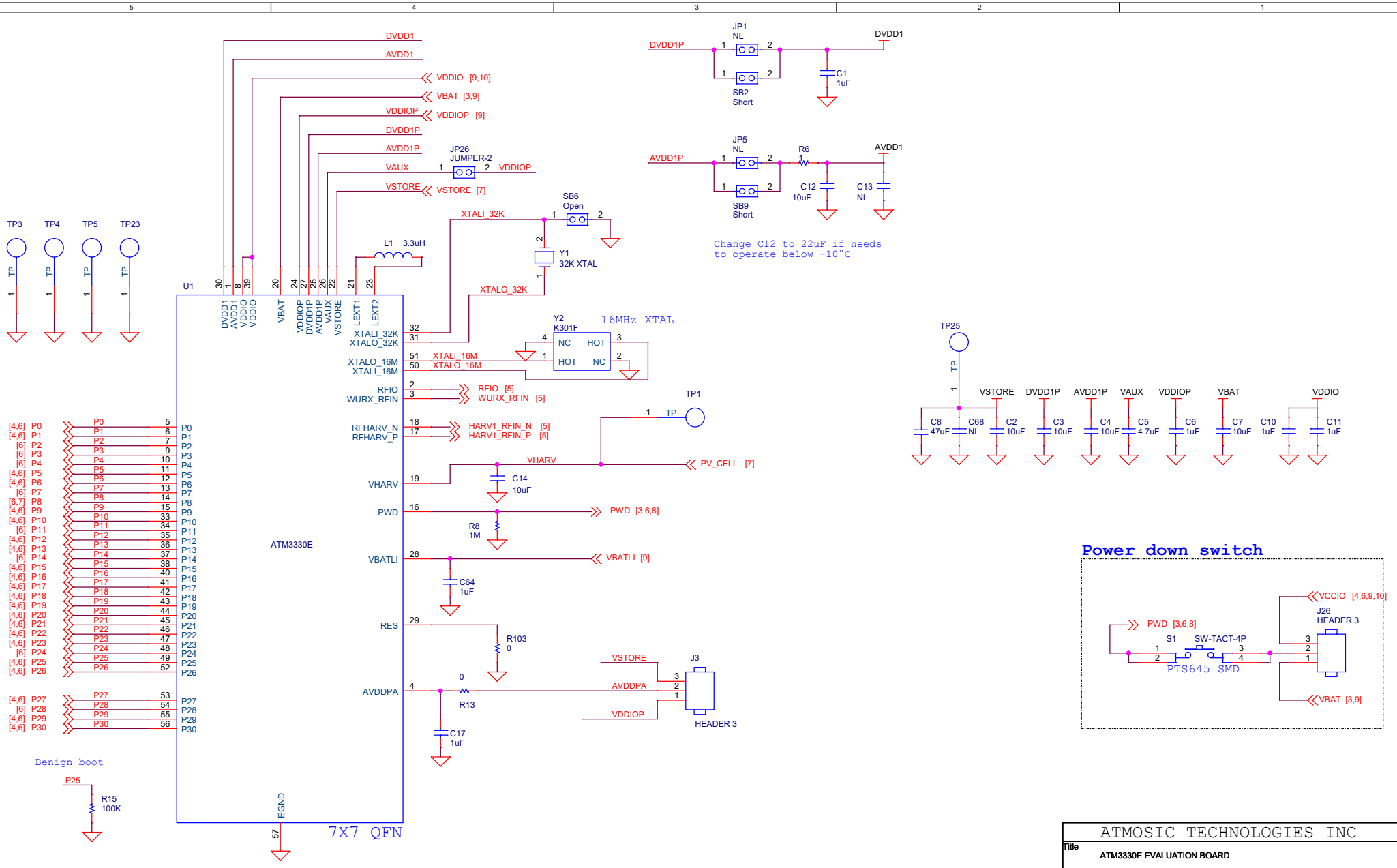
**Atmosic Technologies Proprietary and Confidential**

Page 1 - Revision notes  
 Page 2 - Block diagram  
 Page 3 - ATM3430E, decoupling, Li-Ion charging ckt  
 Page 4 - GPIO Mapping, Analog switches  
 Page 5 - RF matching circuits  
 Page 6 - Sensors, Flash, LEDs, Buttons, I/O Interface Connector  
 Page 7 - Harvesting and Booster Ckt  
 Page 8 - MK22 Controller  
 Page 9 - Power supplies and configurations  
 Page 10 - VDDIO-VCCIO tracking circuit  
 Page 11 - Jumper settings for common Operation Modes

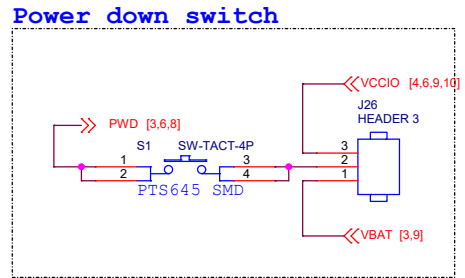
## Block Diagram



ATMOSIC TECHNOLOGIES INC		
Title		
ATM3330E EVALUATION BOARD		
Size	Document Number	Rev
B	052-50-611-xxxx	5.1
Date:	Wednesday, September 18, 2024	
	Sheet	2 of 11



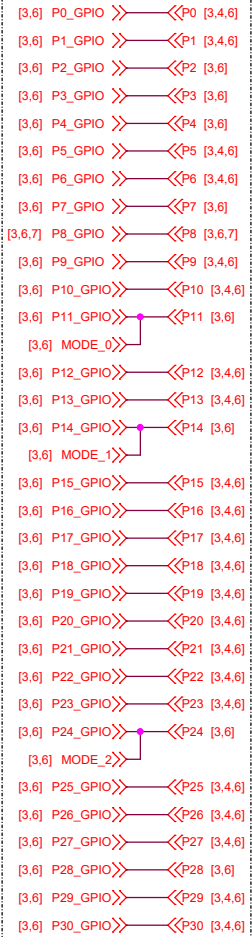
Change C12 to 22uF if needs to operate below -10°C



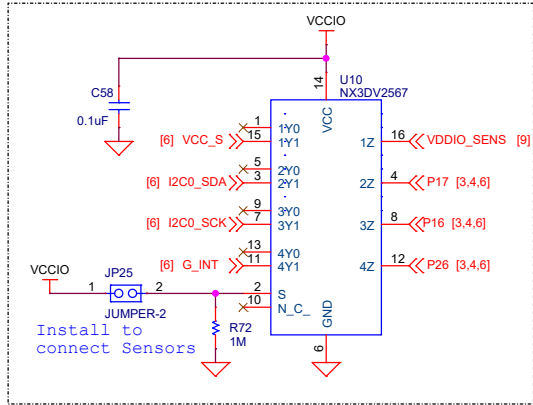
Atmosic Technologies Proprietary and Confidential

ATMOSIC TECHNOLOGIES INC		
Title ATM3330E EVALUATION BOARD		
Size B	Document Number 052-50-611-xxxx	Rev 5.1
Date: Wednesday, September 18, 2024	Sheet 3	of 11

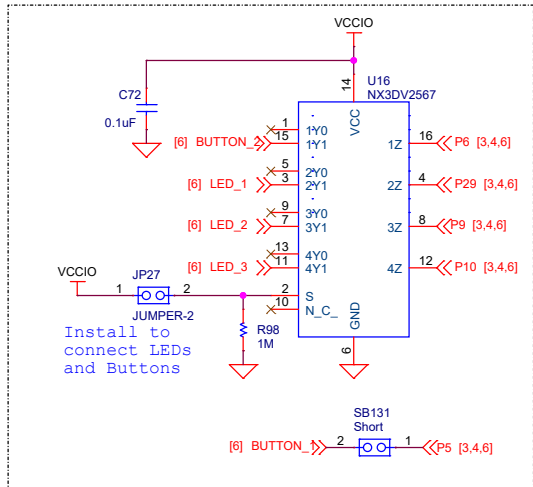
## GPIO MUX



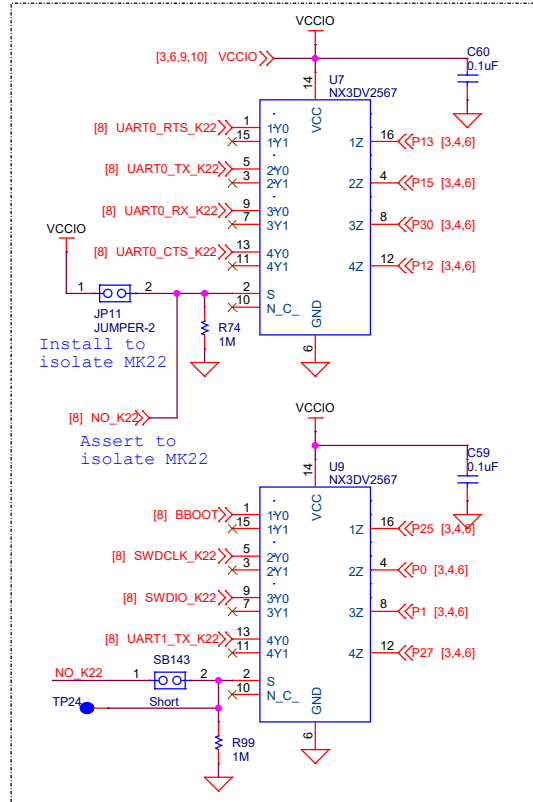
## CONNECT SENSORS TO ATM3330



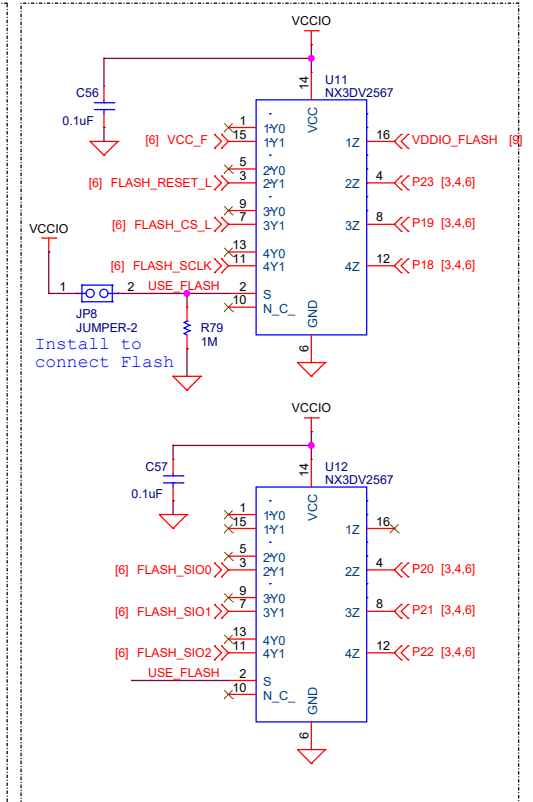
## CONNECT LEDS/BUTTONS TO ATM3330

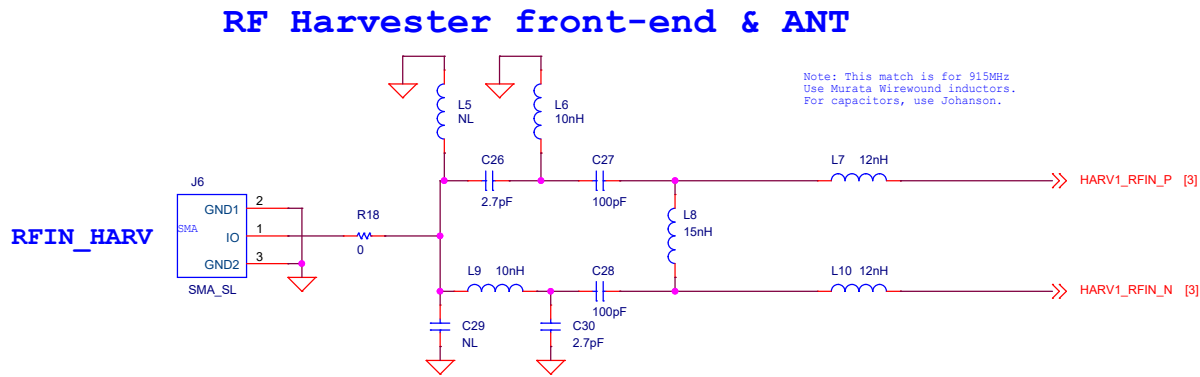
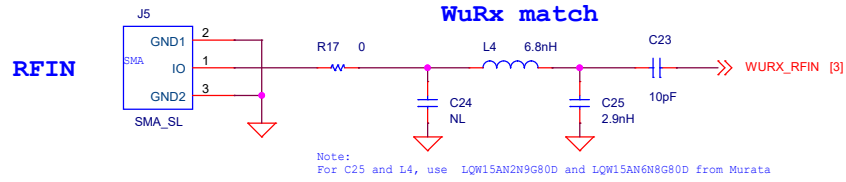
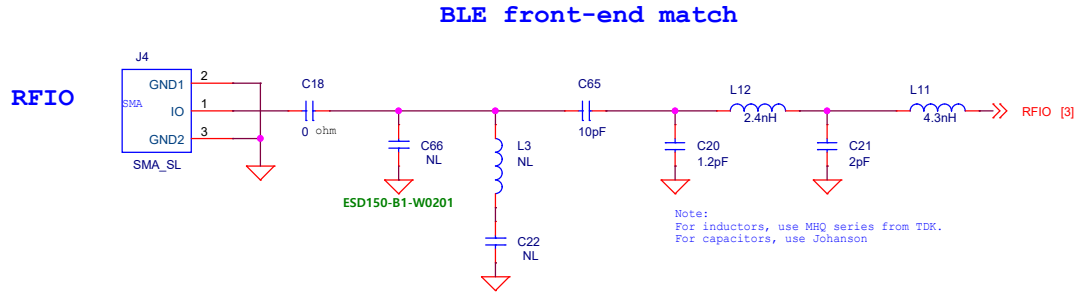


## ISOLATE MK22 FROM ATM3330



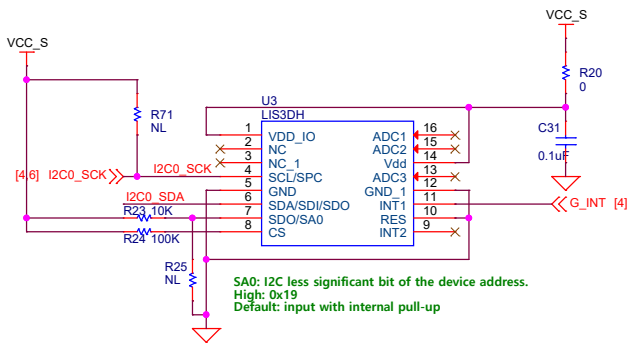
## CONNECT FLASH TO ATM3330



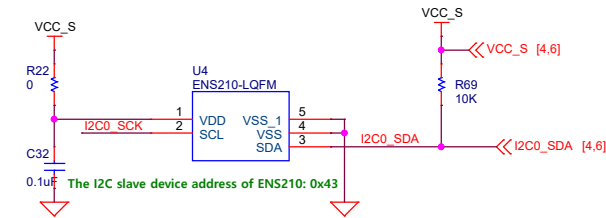


ATMOSIC TECHNOLOGIES INC		
Title		
ATM3330E EVALUATION BOARD		
Size	Document Number	Rev
B	052-50-611-xxxx	5.1
Date:	Wednesday, September 18, 2024	Sheet 5 of 11

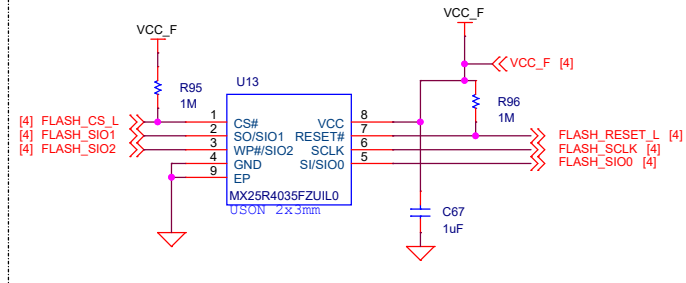
## MOTION SENSOR



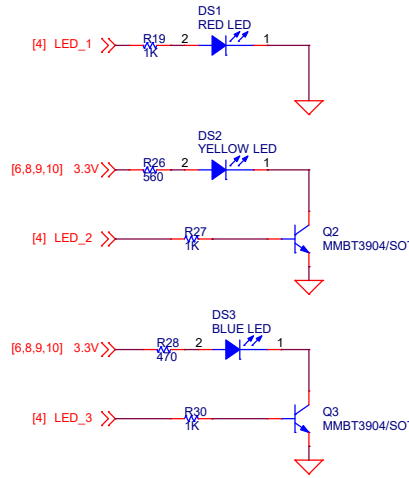
## TEMP/HUM SENSOR



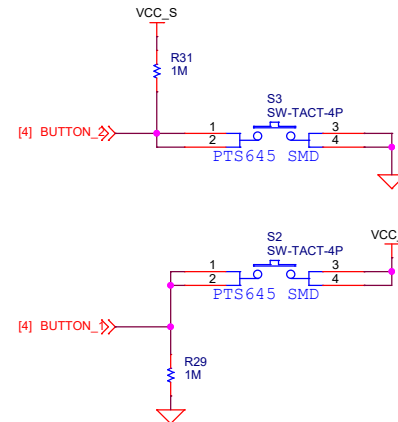
## FLASH



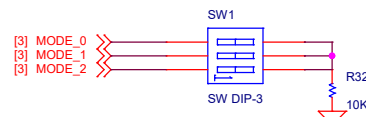
## LEDS



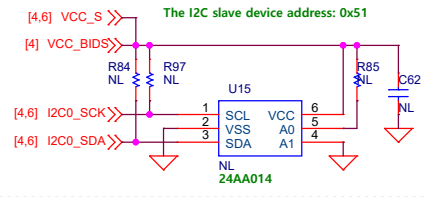
## PUSH BUTTONS



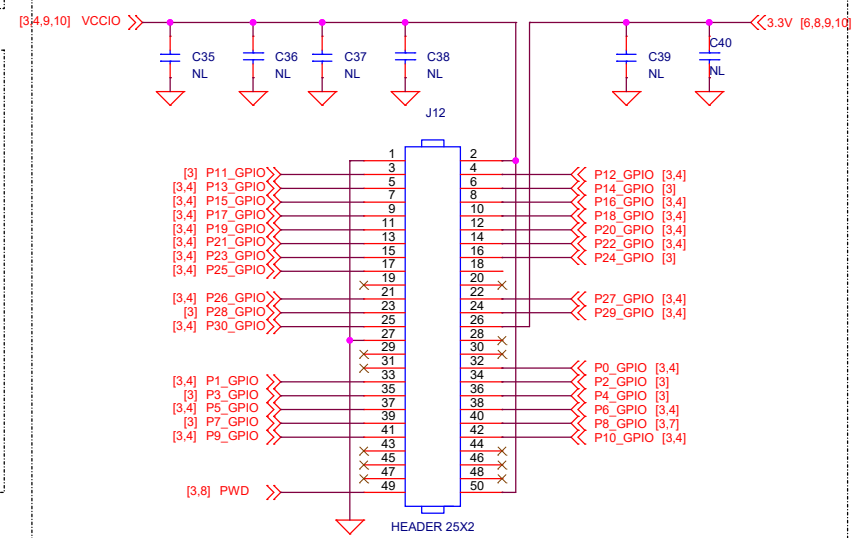
## HARV MODES



## BIDS (1Kbits)

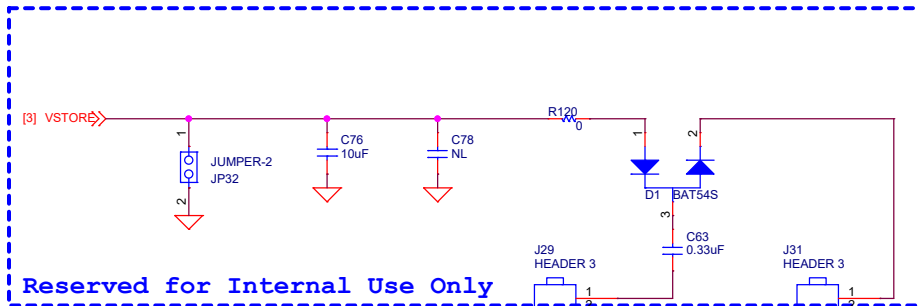


## 50-PIN CONNECTOR I/O INTERFACE



ATMOSIC TECHNOLOGIES INC

Title		
ATM3330E EVALUATION BOARD		
Size	Document Number	Rev
B	052-50-611-xxxx	5.1
Date:	Wednesday, September 18, 2024	Sheet 6 of 11

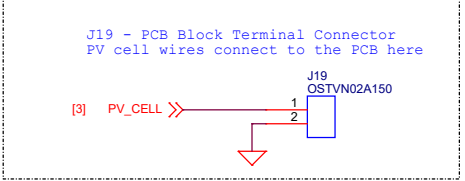


Reserved for Internal Use Only

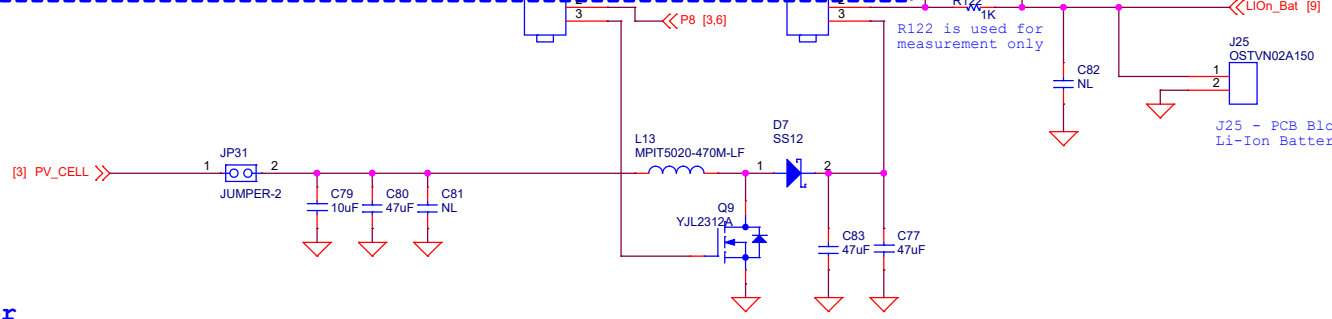
R122 is used for measurement only

J25 - PCB Block Terminal Connector  
Li-Ion Battery wires connect to the PCB here

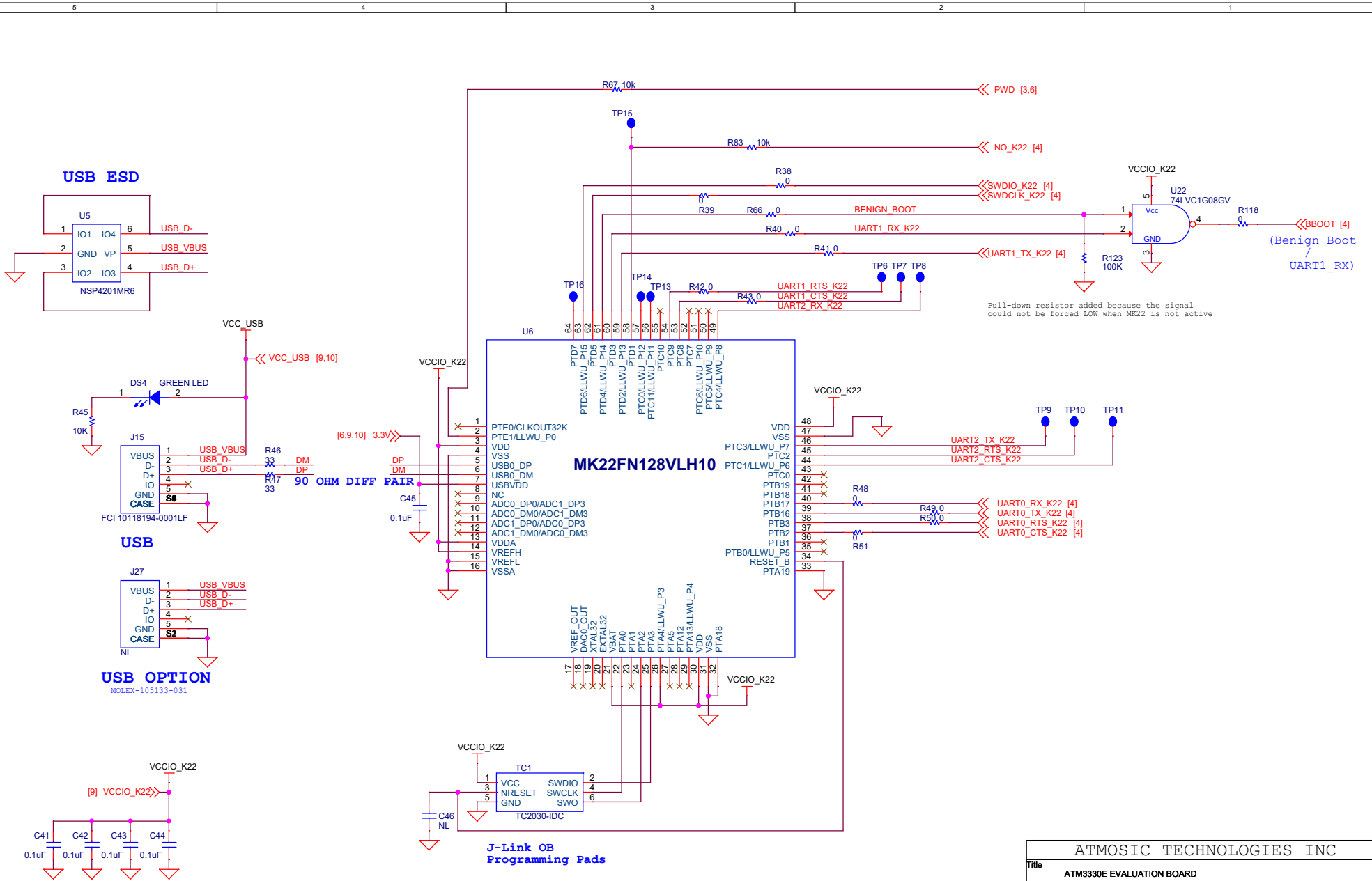
**PV Cell connector**



**Li-Ion Charging Ckts**



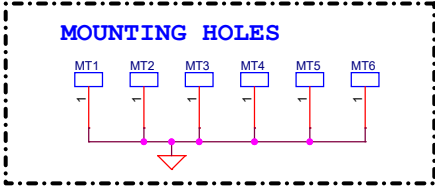
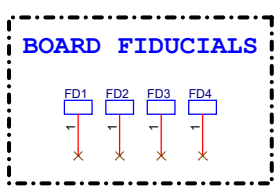
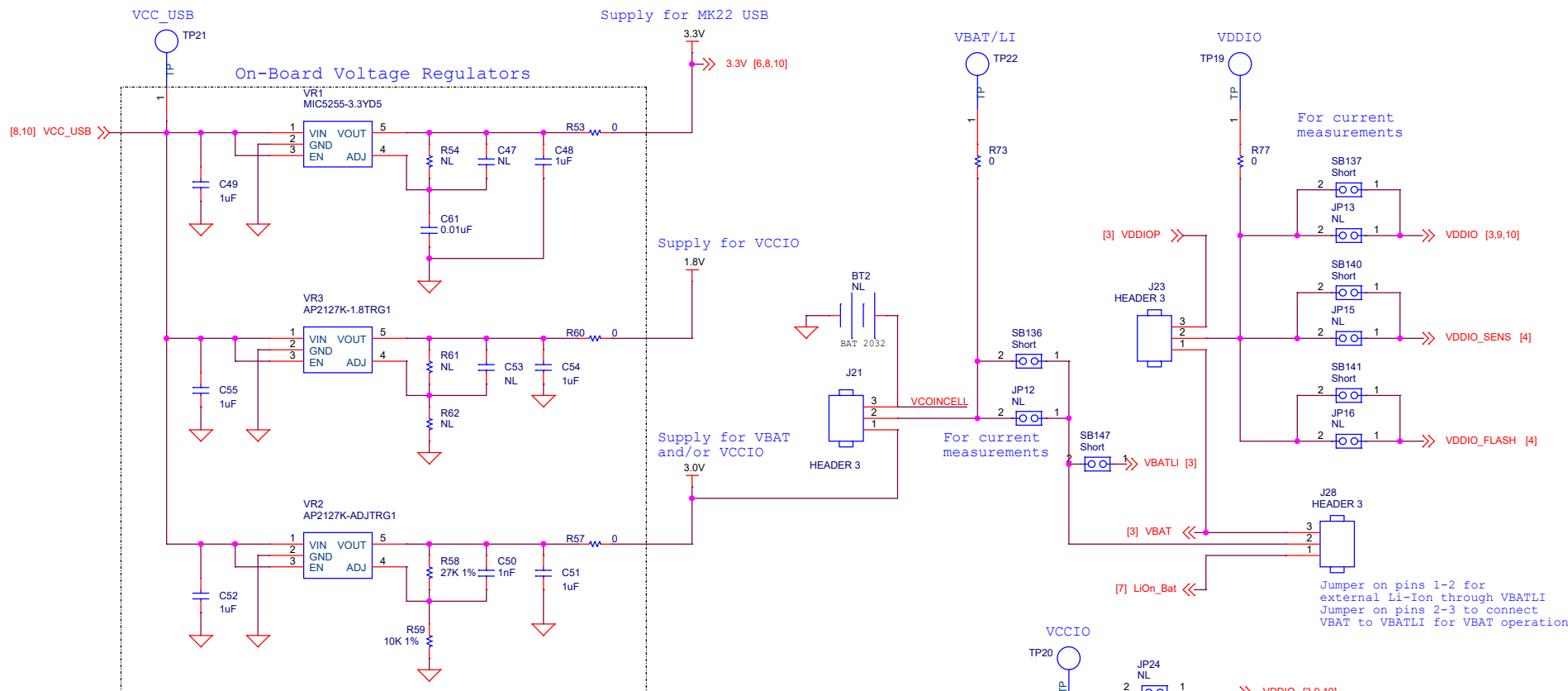
ATMOSIC TECHNOLOGIES INC		
Title ATM3330E EVALUATION BOARD		
Size B	Document Number 052-50-611-xxxx	Rev 5.1
Date: Wednesday, September 18, 2024 Sheet 7 of 11		



Pull-down resistor added because the signal could not be forced LOW when MK22 is not active

<b>ATMOSIC TECHNOLOGIES INC</b>		
Title ATM3330E EVALUATION BOARD		
Size B	Document Number 052-50-611-xxxx	Rev 5.1
Date:	Wednesday, September 18, 2024 Sheet 8 of 11	





For current measurements

VDDIOP [3] → VDDIO [3,9,10]

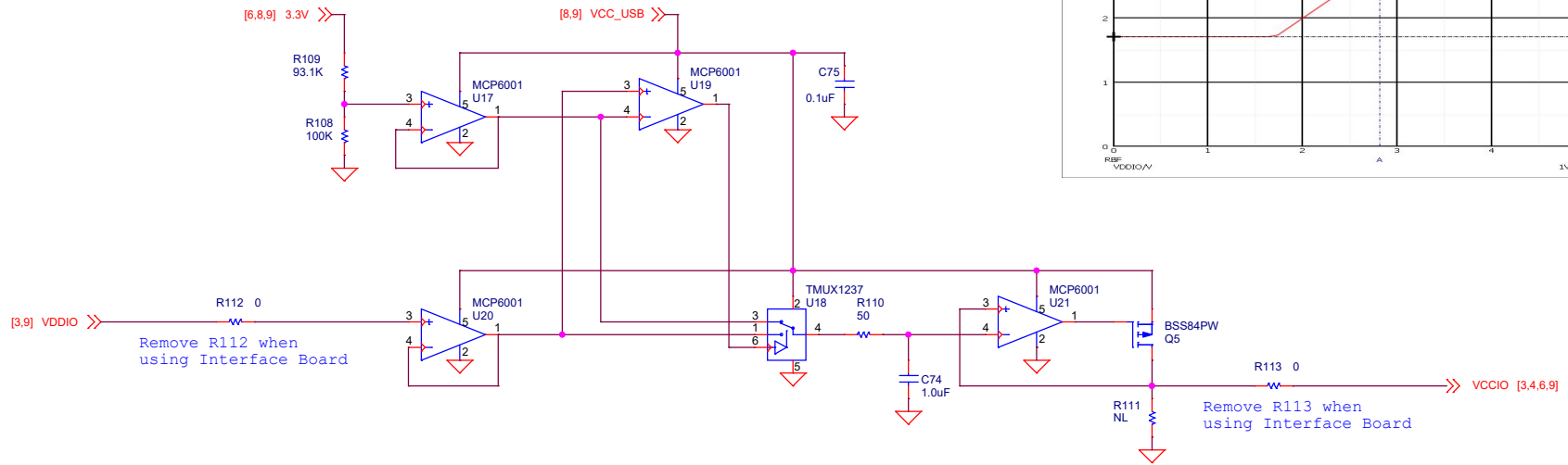
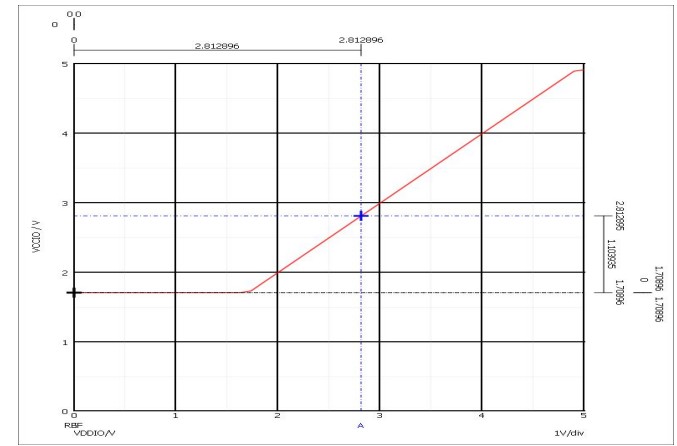
VDDIO\_SENS [4]

VDDIO\_FLASH [4]

Jumper on pins 1-2 for external Li-Ion through VBATLI  
 Jumper on pins 2-3 to connect VBAT to VBATLI for VBAT operation

<b>ATMOSIC TECHNOLOGIES INC</b>		
Title ATM3330E EVALUATION BOARD		
Size B	Document Number 052-50-611-xxxx	Rev 5.1
Date: Wednesday, September 18, 2024 Sheet 9 of 11		

VDDIO < 1.72V: VCCIO = 1.71V  
 VDDIO >=1.72V: VCCIO = VDDIO



Title		
ATM3330E EVALUATION BOARD		
Size	Document Number	Rev
B	052-50-611-xxxx	5.1
Date:	Wednesday, September 18, 2024	Sheet 10 of 11

# Common EVB Operation Modes

#	Operation Mode	Description	J21	J22	J23	J28	TP19	TP20	TP22	J19	J25	JP25	JP11	JP8	JP27	JP26	JP28	R104	USB	Battery holder
1	Default VBAT operation	VBAT = 3V generated by on-board voltage regulator VDDIO = 1.8V internally generated by ATM3330 EVB is powered through USB connection to laptop	1-2	2-3	2-3	2-3	open	open	open	optional	open	optional	optional	optional	optional	open	optional	open	connected	optional
2	VBAT operation with Coin Cell	VBAT = 3V Coin Cell Voltage VDDIO = 1.8V internally generated by ATM3330 EVB is powered by the Coin Cell	2-3	2-3	2-3	2-3	open	open	open	optional	open	optional	installed	optional	optional	open	optional	open	optional	battery installed
3	VBAT operation with Power Profiling	VBAT = external DC supply VDDIO = 1.8V internally generated by ATM3330 EVB peripherals are powered through USB connection to laptop	open	2-3	2-3	2-3	open	open	DC supply	optional	open	open	installed	open	open	open	optional	open	connected	optional
		VBAT = external DC supply VDDIO = 1.8V internally generated by ATM3330 EVB peripherals are powered through Coin Cell	open	open	2-3	2-3	open	open	DC supply	optional	open	open	installed	open	open	open	open	optional	0 ohms	not needed
4	VBATLI (3V) operation	VBATLI = 3V generated by on-board voltage regulator VDDIO = 1.8V internally generated by ATM3330 EVB is powered through USB connection to laptop	1-2	2-3	2-3	open	open	open	open	optional	open	optional	optional	optional	optional	open	optional	open	connected	optional
5	VBATLI (using Coin Cell) operation	VBATLI = Coin Cell Voltage VDDIO = 1.8V internally generated by ATM3330 EVB peripherals are powered through USB connection to laptop	2-3	2-3	2-3	open	open	open	open	optional	open	optional	installed	optional	optional	open	optional	open	optional	battery installed
6	VBATLI (using External Li-Ion battery) operation	VBATLI = External Li-Ion battery Voltage VDDIO = 1.8V internally generated by ATM3330 EVB peripherals are powered through USB connection to laptop	open	2-3	2-3	1-2	open	open	open	optional	Li-Ion battery connected	optional	installed	optional	optional	open	optional	open	optional	optional
7	VBATLI operation with Power Profiling	VBATLI = external DC supply VDDIO = 1.8V internally generated by ATM3330 EVB peripherals are powered through USB connection to laptop	open	2-3	2-3	1-2	open	open	DC supply	optional	open	open	installed	open	open	open	optional	open	connected	optional
		VBATLI = external DC supply VDDIO = 1.8V internally generated by ATM3330 EVB peripherals are powered through Coin Cell	open	open	2-3	1-2	open	open	DC supply	optional	open	open	installed	open	open	open	open	optional	0 ohms	not needed
8	3V VBAT with external VDDIO operation	VBAT = 3V generated by on-board voltage regulator VDDIO = VBAT EVB is powered through USB connection to laptop	1-2	1-2	1-2	2-3	open	open	open	optional	open	optional	optional	optional	optional	installed	optional	open	connected	optional
		VBAT = 3V generated by on-board voltage regulator VDDIO = External DC supply EVB is powered through USB connection to laptop	1-2	open	open	2-3		DC supply	open	optional	open	open	optional	optional	optional	optional	installed	optional	open	connected

ATMOSIC TECHNOLOGIES INC		
Title ATM3330E EVALUATION BOARD		
Size B	Document Number 052-50-611-xxxx	Rev 5.1
Date:	Wednesday, September 18, 2024	
	Sheet	11 of 11