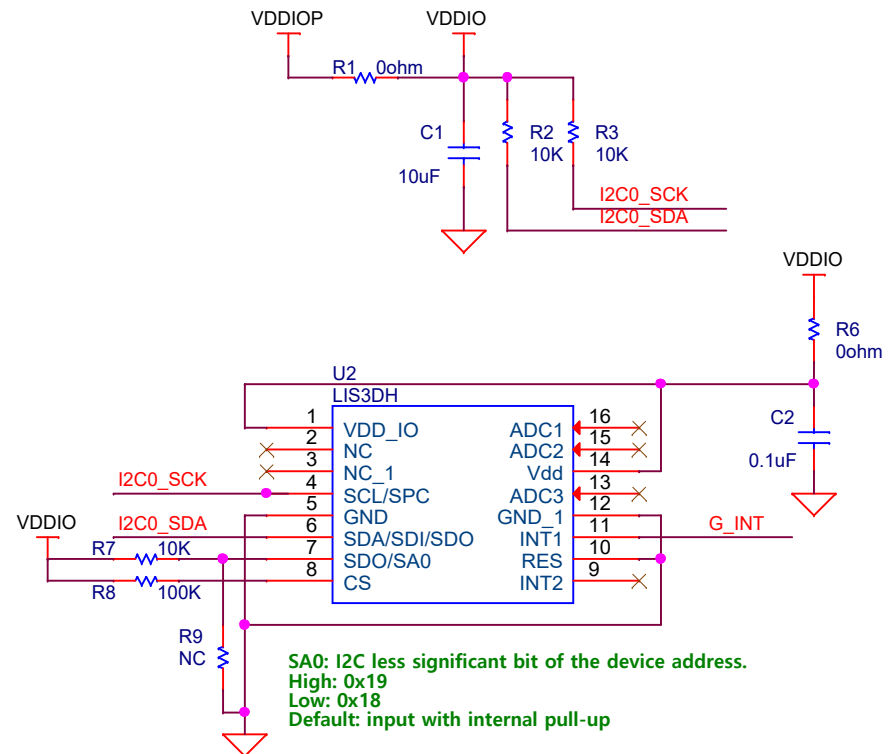
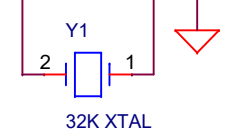
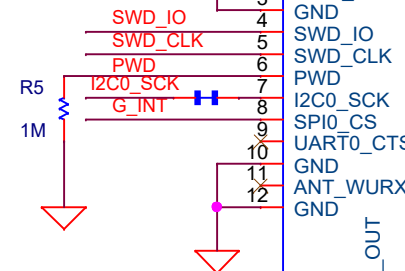
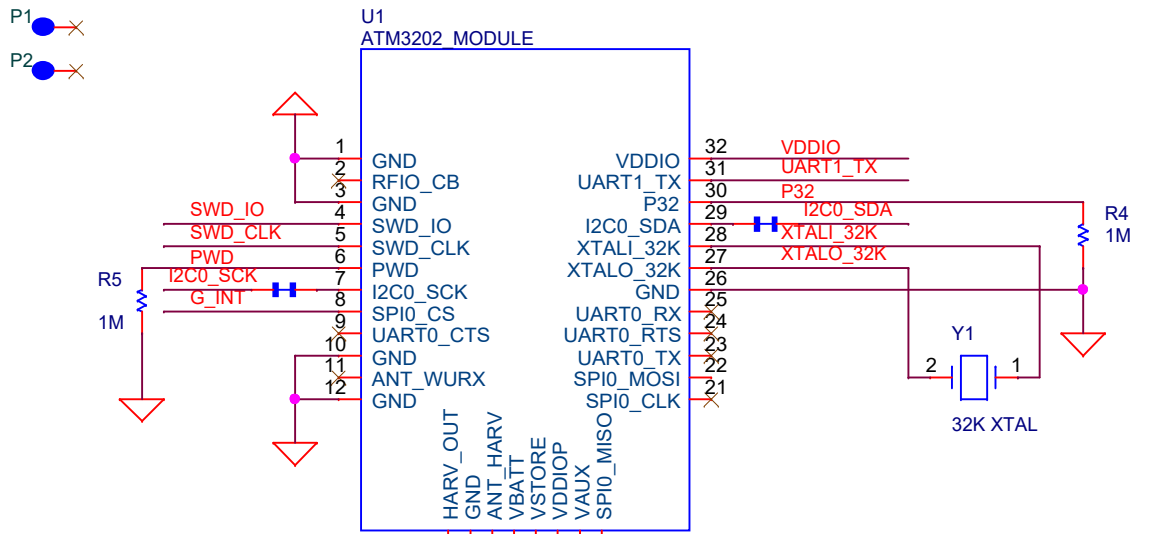


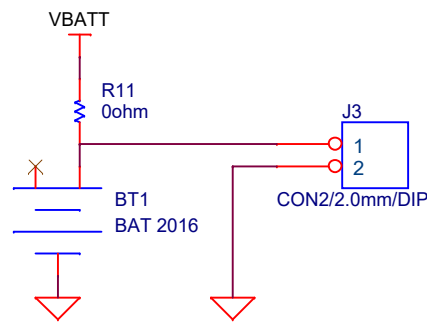
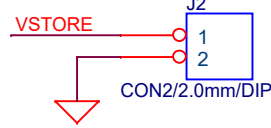
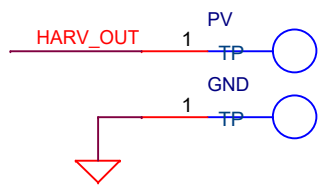
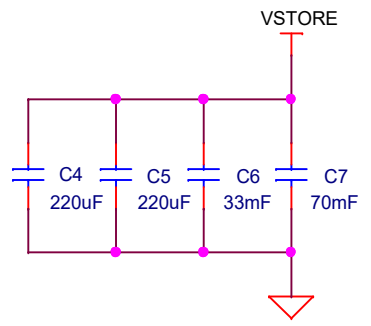
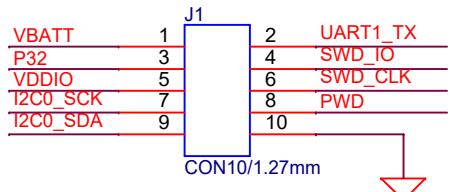
Item	Quantity	Reference	Part	Footprint	Description
1	1	R1	0ohm	0402	
2	2	R4,R5	1M	0402	
3	1	Y1	32K XTAL	XTAL-SMD2-2.0X1.2MM	
4	1	U1	ATM3202_MODULE	M3_MINI_MODULE_V1_FP_E	
5	1	J1	CON10/1.27mm	CON_5X2_50MIL_SMD	
6	1	D1	0ohm	0402	LOW VF SCHTKY for VHARV_OUT
7	1	R11	0ohm	0402	connect to battery
8	1	BT1	BAT 2016	3012TR	BATTERY CLIP
9	2	C4,C5	220uF	1206	
10	1	C6	33mF	SUPERCAP_33MF	SUPER CAPACITOR
11	1	C7	70mF	SUPERCAP_70MF	SUPER CAPACITOR
12	1	U2	LIS3DH	LIS3DH_STD	Accelerometer
13	1	U3	ENS210-LQFM	ENS210-LQFM	Temp/humidity sensor
14	1	C1	10uF	0402	
15	2	C2,C3	0.1uF	0402	
16	2	R6,R10	0ohm	0402	
17	3	R2,R3,R7	10K	0402	I2C pull high
18	1	R8	100K	0402	

ATMOSIC TECHNOLOGIES INC		
Title ATM3202 PV Beacon Demo		
Size A	Document Number	Rev 3.0
Date:	Friday, March 19, 2021	Sheet 1 of 2



SA0: I2C less significant bit of the device address.
 High: 0x19
 Low: 0x18
 Default: input with internal pull-up

The I2C slave device address of ENS210: 0x43



ATMOSIC TECHNOLOGIES INC		
Title ATM3202 PV Beacon Demo		
Size A	Document Number	Rev 3.0
Date:	Friday, March 12, 2021	Sheet 2 of 2