

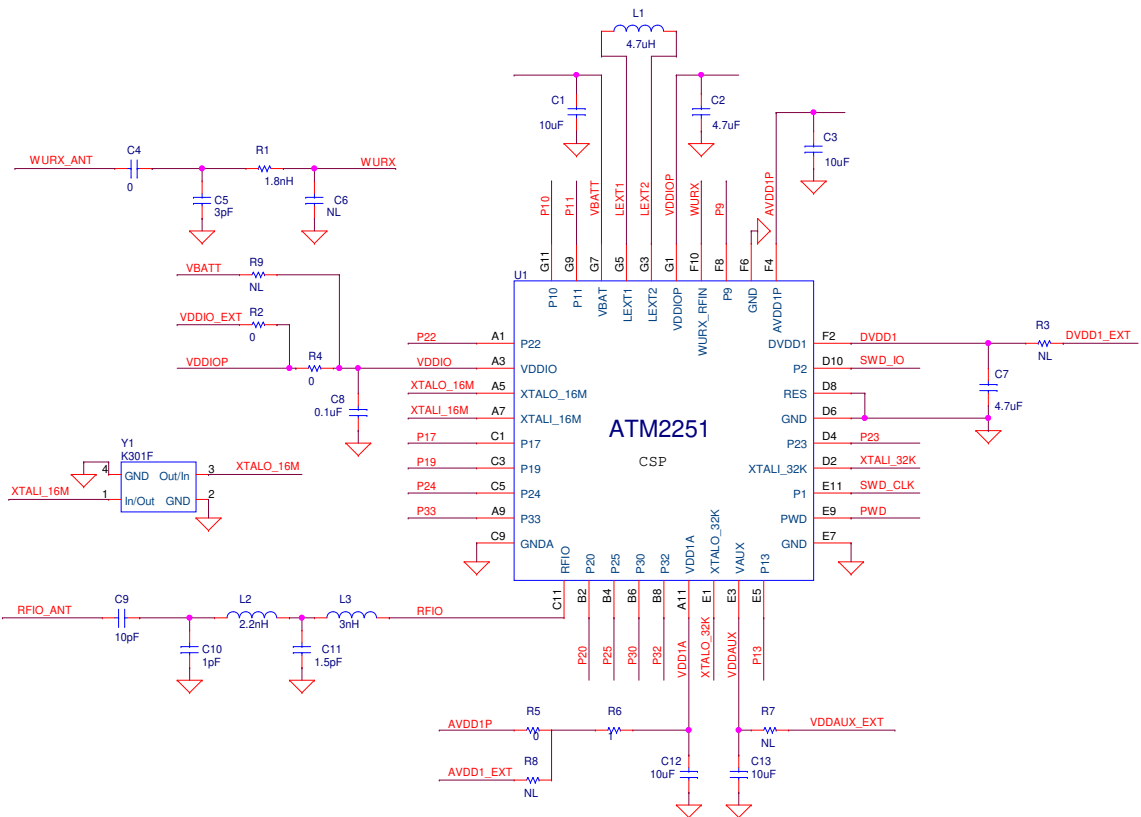
ATM2251 (CSP) Bring-up Module

Release Date	Revision	Design Eng.	Design Note
02/17/2021	A1	SK	Intial Release
12/03/2021	A1-02	AD	Changed C13 (VDDAUX) from 1uF to 10uF to support fast power cycling
12/19/2024	A1-03	SK	Revised pin numbers with grid location

Atmosic Technologies, Inc
2105 South Bascom Avenue, Suite 220
Campbell, CA 95008

Atmosic Technologies Proprietary and Confidential

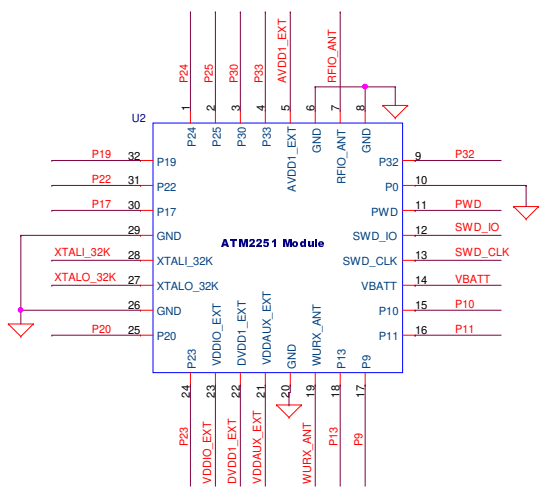
ATMOSIC TECHNOLOGIES INC		
Title	ATM2251 (CSP) Bring-up Module	
Size	Document Number	Rev
B	033-01-000-	A1-02
Date:	Thursday, December 19, 2024	Sheet 1 of 2



IO config	R4	R7	R9
Internal IO	0	NL	NL
External IO	NL	0	0

JP8 stuffed on CB

Module Pinout



ATMOSIC TECHNOLOGIES INC			
Title	ATM2251 (CSP) Bring-up Module		
Size	Document Number	Rev	
B	033-01-000-	A1-02	
Date:	Thursday, December 19, 2024	Sheet	2 of 2