

ATM2251 (CSP) Bring-up Module Carrier Board

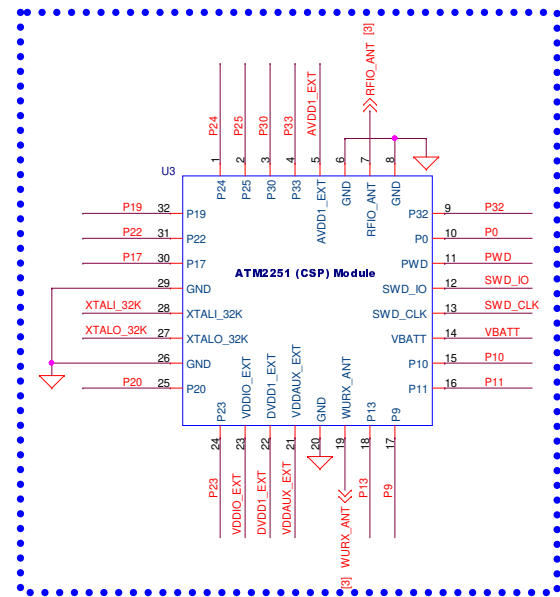
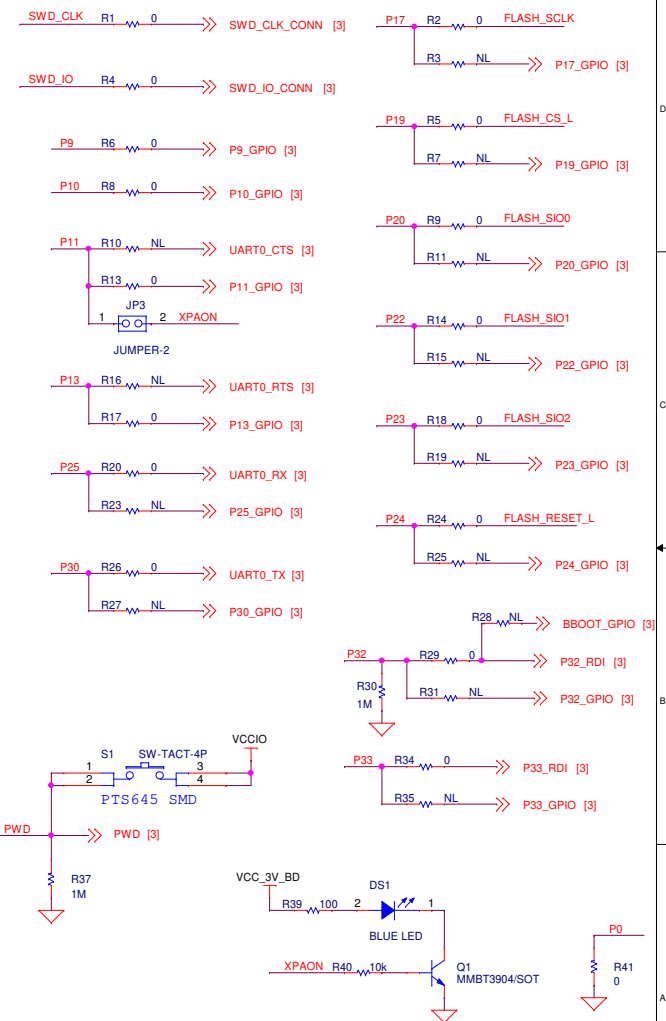
| Release Date | Revision | Design Eng. | Design Note |
|--------------|----------|-------------|-----------------|
| 02/17/2021 | A1 | SK | Initial release |
| | | | |

Atmosic Technologies, Inc
 910 E. Hamilton Ave, Suite 550
 Campbell, CA 95008, USA

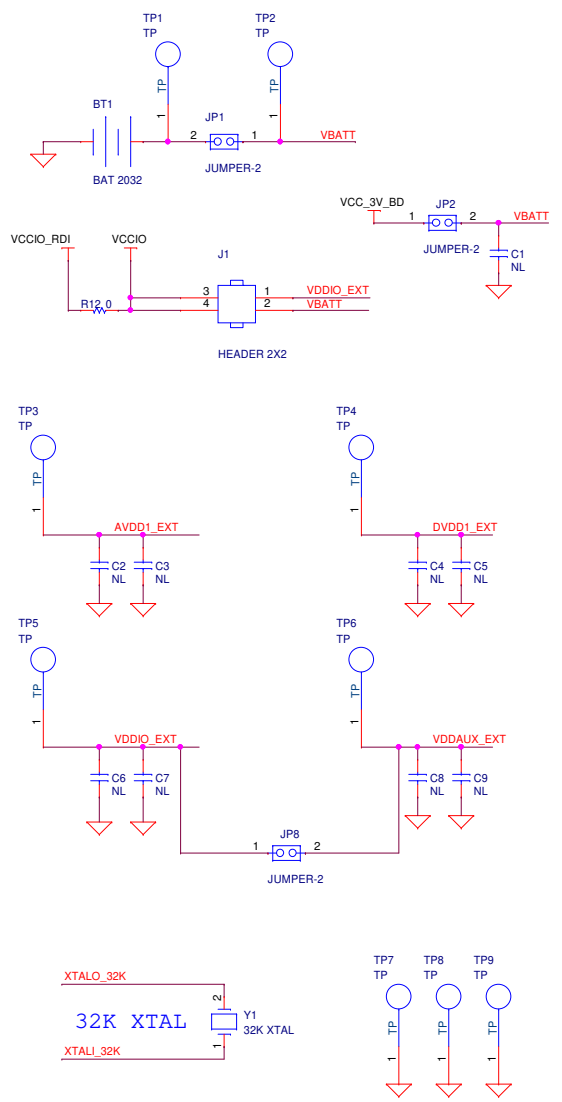
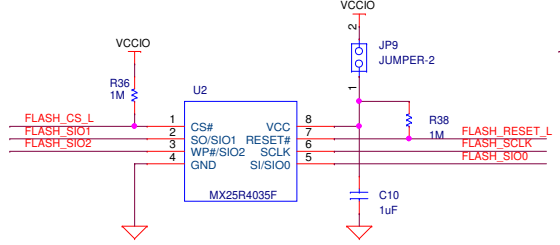
Atmosic Technologies Proprietary and Confidential

| | | |
|--|--------------------------------|--------------|
| ATMOSIC TECHNOLOGIES INC | | |
| Title ATM2251 Bring-up Module Carrier Board | | |
| Size B | Document Number 035-00-xxx- | Rev A1 |
| Date: | Thursday, July 01, 2021 | Sheet 1 of 3 |

GPIOs SELECTION



FLASH

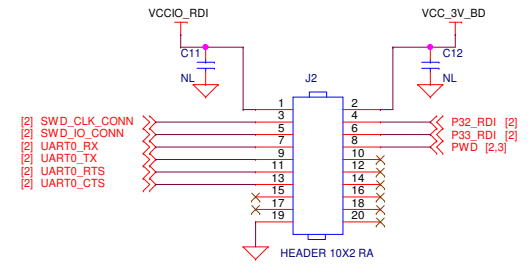


Atmosic Technologies Proprietary and Confidential

| | | |
|--|--------------------------------|-----------|
| ATMOSIC TECHNOLOGIES INC | | |
| Title ATM2251 Bring-up Module Carrier Board | | |
| Size B | Document Number 035-00-xxx- | Rev A1 |
| Date: Thursday, July 01, 2021 | Sheet 2 | of 3 |

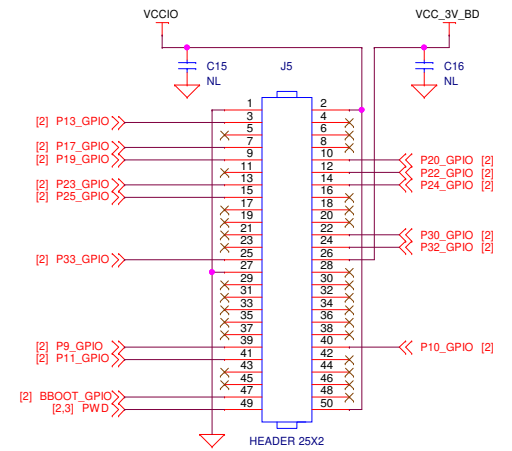
CONNECTORS

TO INTERFACE BOARD

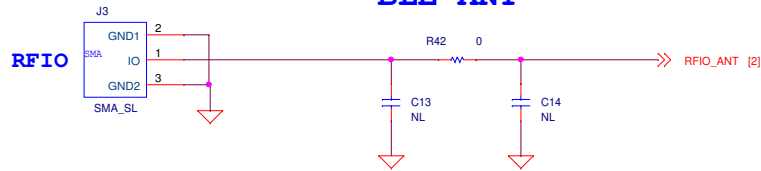


Sullin SBH11-PBPC-D10-RA-BK

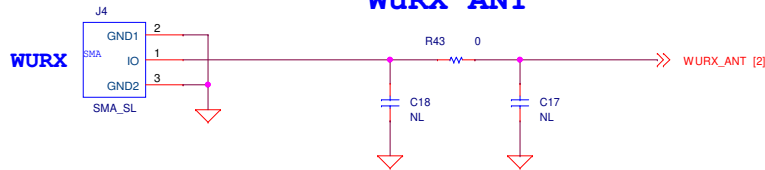
TO SENSOR HUB etc.



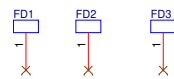
BLE ANT



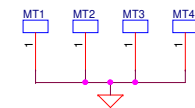
WuRX ANT



BOARD FIDUCIALS



MOUNTING HOLES



Atmic Technologies Proprietary and Confidential

ATMIC TECHNOLOGIES INC

| | | |
|---------------------------------------|-------------------------|--------------|
| Title | | |
| ATM2251 Bring-up Module Carrier Board | | |
| Size | Document Number | Rev |
| B | 035-00-xxx- | A1 |
| Date: | Thursday, July 01, 2021 | Sheet 3 of 3 |