

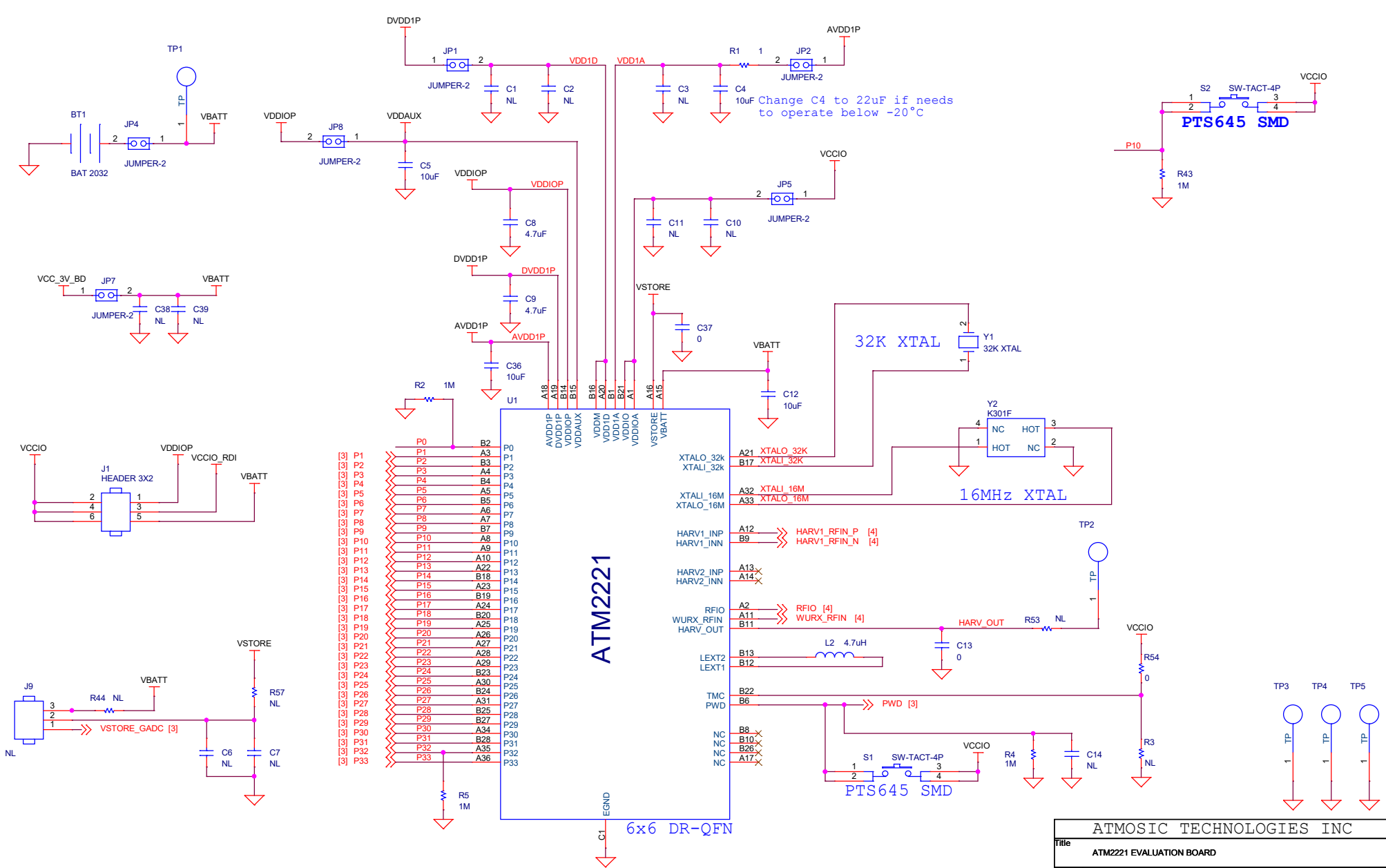
ATM2221 EVALUATION BOARD

Release Date	Revision	Design Eng.	Design Note
05/31/2019	Rev. A	SK	Initial release
07/31/2019	Rev. B	SK	Please refer to each schematic respectively for detailed revision history
08/15/2019	Rev. C	SK	
10/14/2019	Rev. C1	CL	
02/14/2020	Rev. C2	SK	
04/20/2020	Rev. D3	CL	Added J9 jumper for rechargeable battery evaluation Added R53 diode to protect HARV_OUT pin Added S2 press button for MMI (Man-Machine-Interface) Added DS1 LED for visual indication of BLE activity Added SW1 DIP switch for selection of harvesting mode Updated RFIN_HARV matching network Removed mini connector Replaced AVDD1P, DVDD1P, VCCIO, VSTORE and VCCIO_RDI jumper with 0 ohm resistor / jumper
06/17/2020	Rev. D3a	CL	M2 version of D3, no harvesting support
12/03/2021	D3a-02	AD	Changed C5 (VDDAUX) from 1uF to 10uF to support fast power cycling

Atmosic Technologies, Inc
 2105 South Bascom Avenue, Suite 220
 Campbell, CA 95008

ATMOSIC TECHNOLOGIES INC		
Title ATM2221 EVALUATION BOARD		
Size B	Document Number <Doc>	Rev D3-02
Date: Friday, December 03, 2021		
		Sheet 1 of 4

Atmosic Technologies Proprietary and Confidential



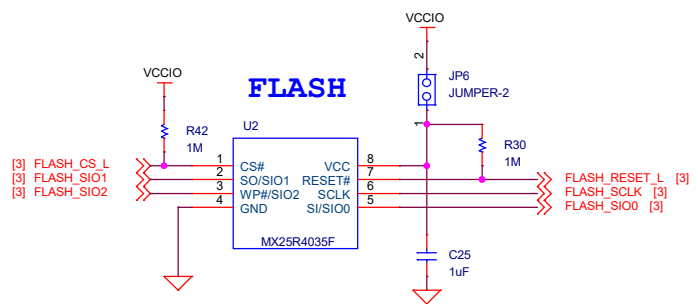
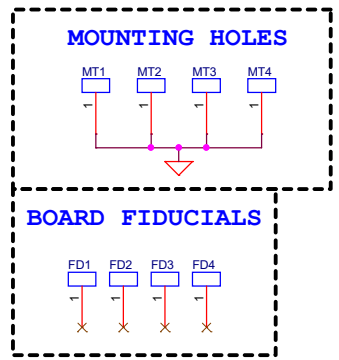
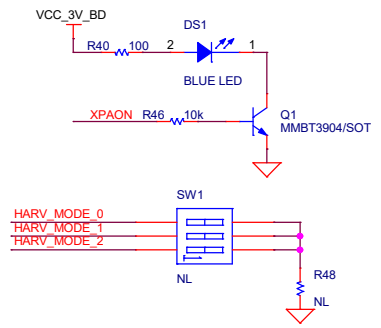
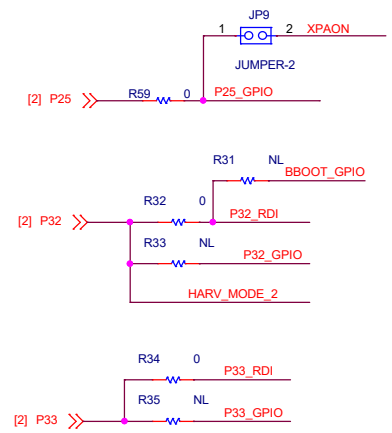
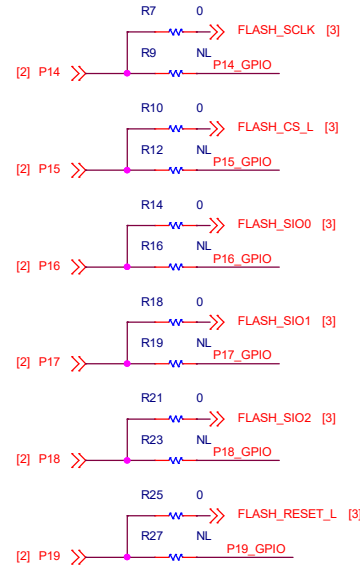
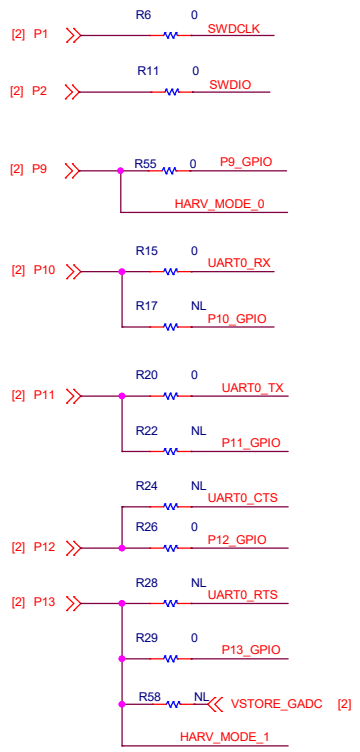
ATM2221

[3]	P1	B2	P0
[3]	P2	A3	P1
[3]	P3	B3	P2
[3]	P4	A4	P3
[3]	P5	B4	P4
[3]	P6	A5	P5
[3]	P7	B5	P6
[3]	P8	A6	P7
[3]	P9	B7	P8
[3]	P10	A8	P9
[3]	P11	B9	P10
[3]	P12	A10	P11
[3]	P13	B11	P12
[3]	P14	A12	P13
[3]	P15	B12	P14
[3]	P16	A13	P15
[3]	P17	B13	P16
[3]	P18	A14	P17
[3]	P19	B14	P18
[3]	P20	A15	P19
[3]	P21	B15	P20
[3]	P22	A16	P21
[3]	P23	B16	P22
[3]	P24	A17	P23
[3]	P25	B17	P24
[3]	P26	A18	P25
[3]	P27	B18	P26
[3]	P28	A19	P27
[3]	P29	B19	P28
[3]	P30	A20	P29
[3]	P31	B20	P30
[3]	P32	A21	P31
[3]	P33	B21	P32
[3]		A22	P33
[3]		B22	
[3]		A23	
[3]		B23	
[3]		A24	
[3]		B24	
[3]		A25	
[3]		B25	
[3]		A26	
[3]		B26	
[3]		A27	
[3]		B27	
[3]		A28	
[3]		B28	
[3]		A29	
[3]		B29	
[3]		A30	
[3]		B30	
[3]		A31	
[3]		B31	
[3]		A32	
[3]		B32	
[3]		A33	
[3]		B33	
[3]		A34	
[3]		B34	
[3]		A35	
[3]		B35	
[3]		A36	
[3]		B36	

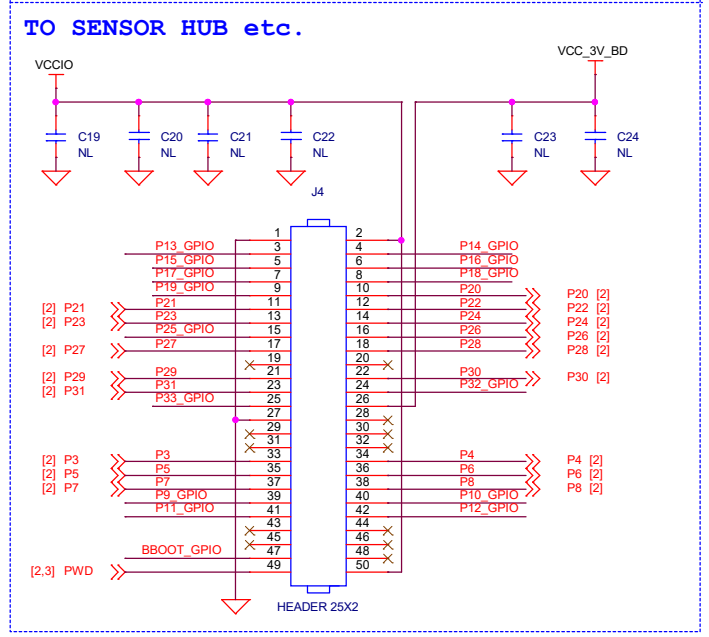
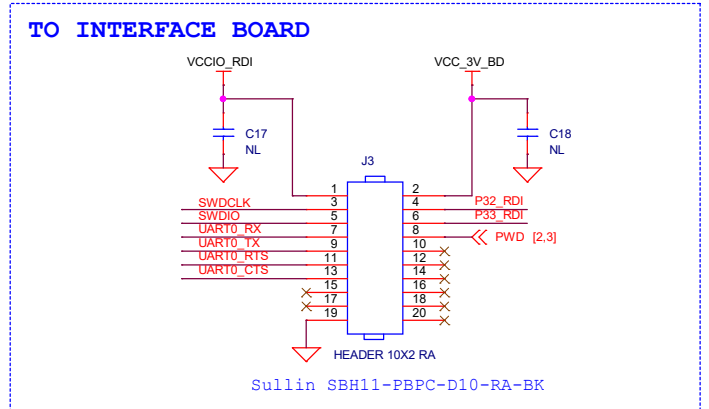
ATMOSIC TECHNOLOGIES INC			
Title ATM2221 EVALUATION BOARD			
Size B	Document Number <Doc>	Rev D3-02	
Date:	Friday, December 03, 2021	Sheet 2	of 4

Atmosic Technologies Proprietary and Confidential

GPIOs SELECTION

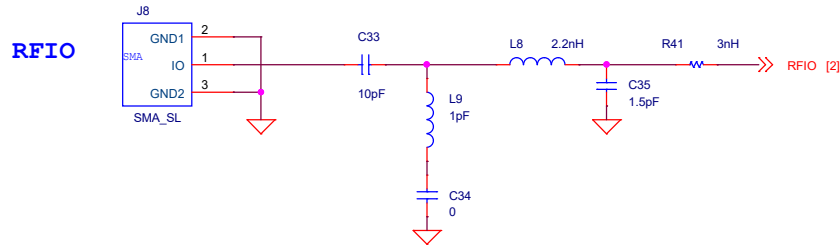


CONNECTORS

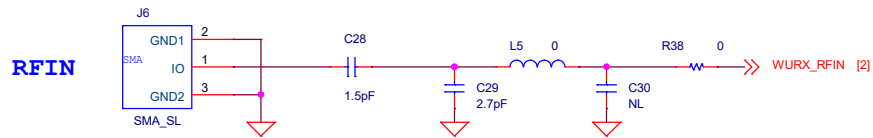


ATMOSIC TECHNOLOGIES INC		
Title ATM2221 EVALUATION BOARD		
Size B	Document Number <Doc>	Rev D3-02
Date:	Friday, December 03, 2021	Sheet 3 of 4

BLE front-end & ANT



WuRx front-end & ANT



Matching for 915MHz	
C28	0
C29	NL
L5	1.8pF
C30	1.8pF
R38	24nH

RF Harvester front-end & ANT

