

ATM3330 EVALUATION BOARD (with J-Link OB)

Release Date	Revision	Design Eng.	Design Notes
10/03/21	-00	AD	Initial release
12/01/21	-10	AD	Ground pin 33 of MK22 Change Paris Part Number to ATM3330e Change resistors and supplies to adjust brightness of LEDs Change R61 to 20K and R62 to 16K due to availability Change several components to NL by default Short SB119 by default Add two SB121 and SB122 to VDDPA
5/25/22	-20	AD	Remove the 20-pin Interface connector J8 Remove the Arduino connectors J10, J11, J13, J14 Remove the Trace/Debug connectors J7, J9 All GPIOs directly connected to J12 Analog switches are used to connect/disconnect K22 and peripherals
7/29/22	-21	AD	Loaded R69 I2C data pull-up Updated RFIO Match Updated Li-Ion charge pump ckt Changed VAUX cap to 4.7uF Change Harvester match to NL
11/08/22	-22	AD	Updated U1 pin names for pins 20 (VBAT) and 28 (VBATLI) Renamed nets: VBATT to VBAT, and VBATTLI to VBATLI Updated RFIO Match (L11, C21, L12, C20) Updated WuRx Match (C25, L4, C24)
11/21/22	-31	AD	Changed JP29 to J28 to select between VBAT and VBATLI Removed C9 and JP3 (harvesting meter), added a TP25 (VSTORE) Added R99 to keep SWD and BBOOT connected by default Added short SB145 and R101, R102 to Li-Ion Charging Ckt Added short SB146 to ground the negative terminal of PV cell Changed C63 (0ohms on RES pin 29 of U1) to R103 (0ohms) Added R104 as an option to connect VCCIO to Coin Cell Added Brownout/LPComp Ckt (R105, R106, C73) Added R100 between P13 and U7 Changed 32kHz clock for boost ckt from P13 to P4
03/31/23	-32	AD	Modified the description for C12

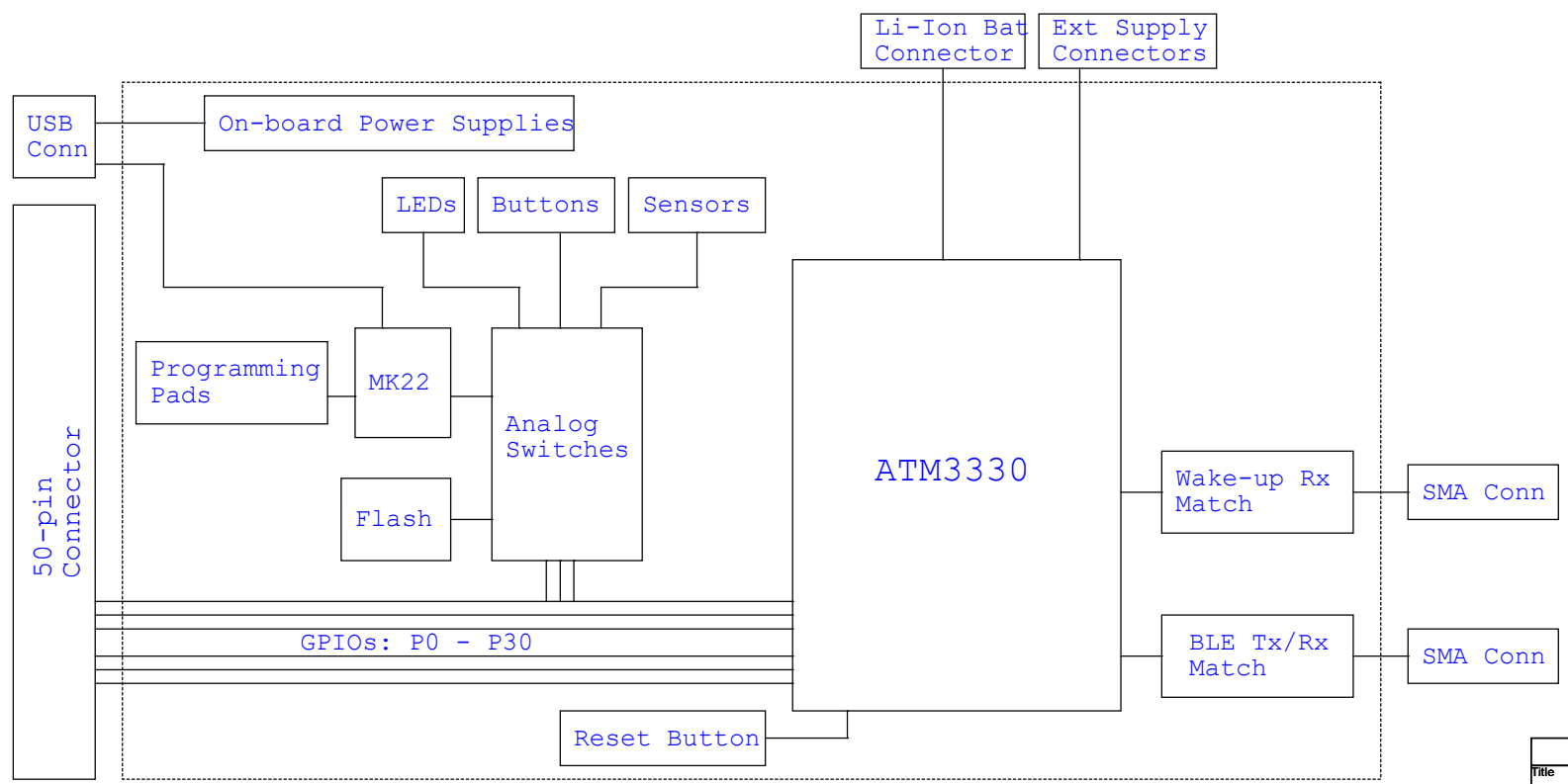
Atmosic Technologies Proprietary and Confidential

Atmosic Technologies, Inc
2105 South Bascom Avenue, Suite 220
Campbell, CA 95008

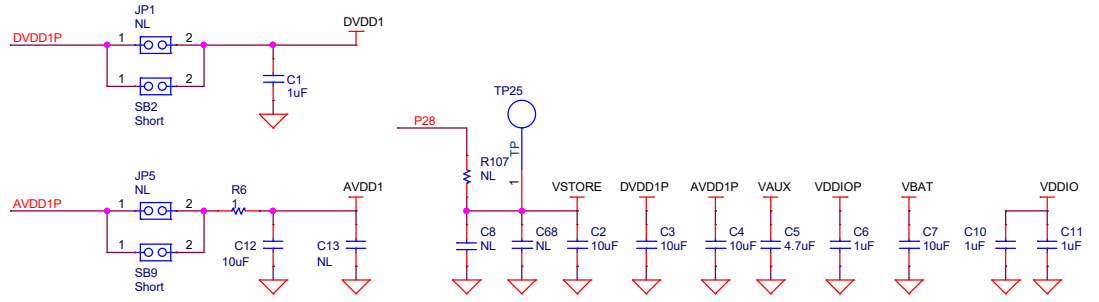
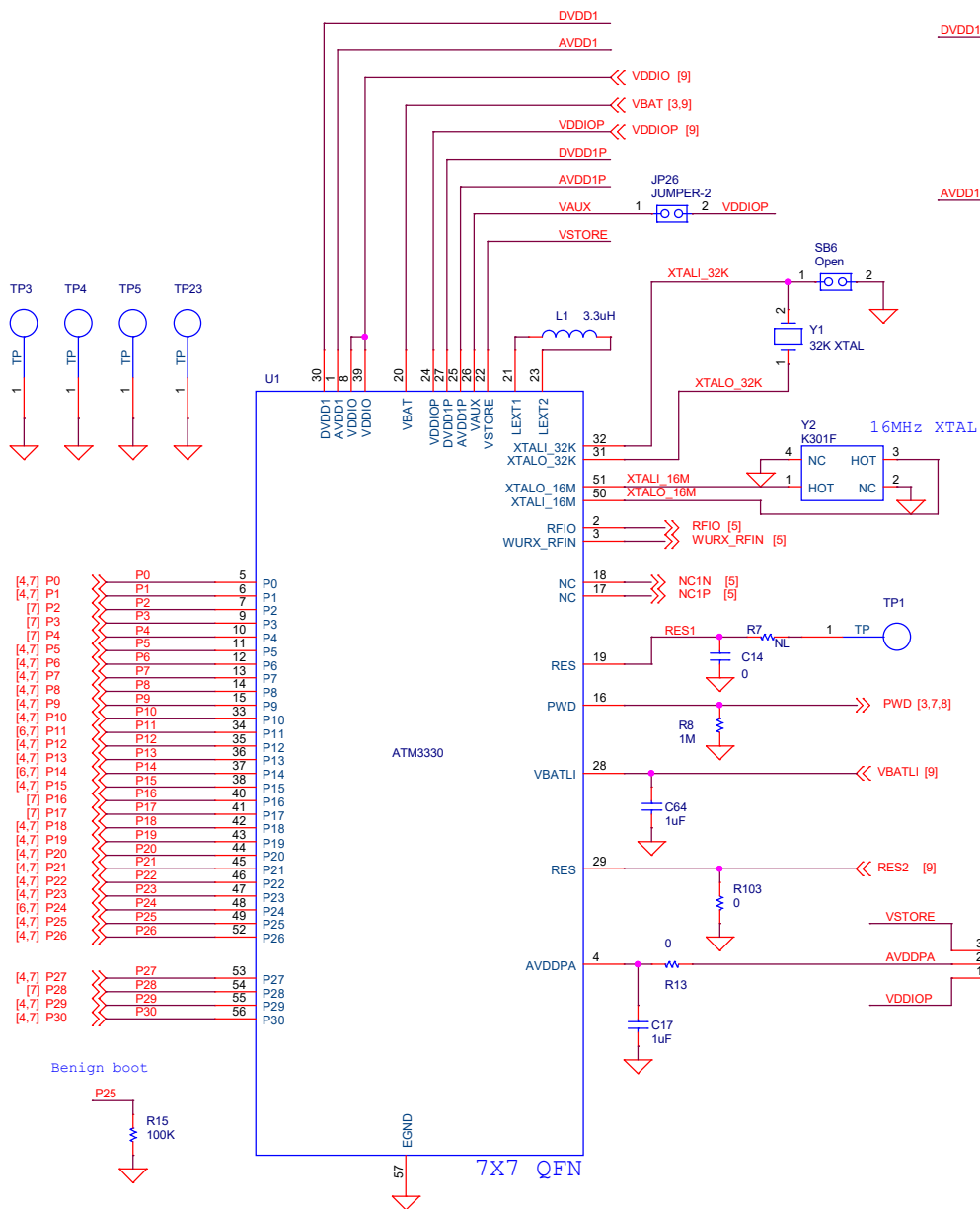
ATMOSIC TECHNOLOGIES INC		
Title ATM3330e EVALUATION BOARD		
Size B	Document Number 052-32-610-xxxx	Rev 3
Date:	Friday, March 31, 2023	Sheet 1 of 10

Page 1 - Revision notes
 Page 2 - Block diagram
 Page 3 - ATM3330e, decoupling, Li-Ion charging ckt
 Page 4 - GPIO Mapping, Analog switches
 Page 5 - RF matching circuits
 Page 6 - Sensors, Flash, LEDs, Buttons
 Page 7 - 50-pin Connector
 Page 8 - MK22 Controller
 Page 9 - Power supplies and configurations
 Page 10 - Jumper settings for common Operation Modes

Block Diagram

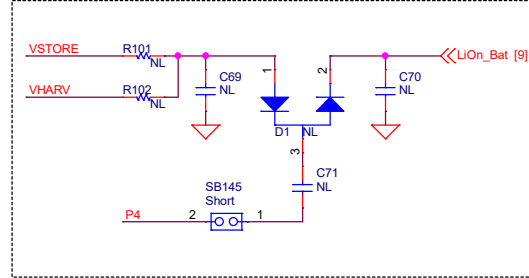


ATMOSIC TECHNOLOGIES INC		
Title ATM3330e EVALUATION BOARD		
Size B	Document Number 052-32-610-xxxx	Rev 3
Date:	Friday, March 31, 2023	Sheet 2 of 10

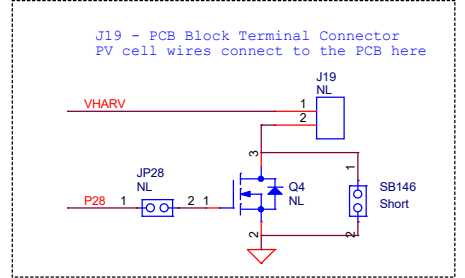


Change C12 to 22uF if needs to operate below -10°C

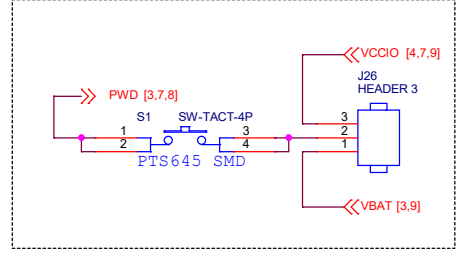
Li-Ion Charging Ckt



PV Cell connector



Power down switch



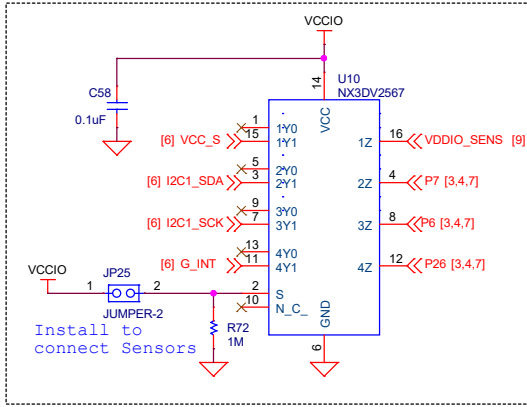
Atmic Technologies Proprietary and Confidential

ATMOSIC TECHNOLOGIES INC		
Title	ATM3330e EVALUATION BOARD	
Size B	Document Number 052-32-610-xxxx	Rev 3
Date:	Friday, March 31, 2023	Sheet 3 of 10

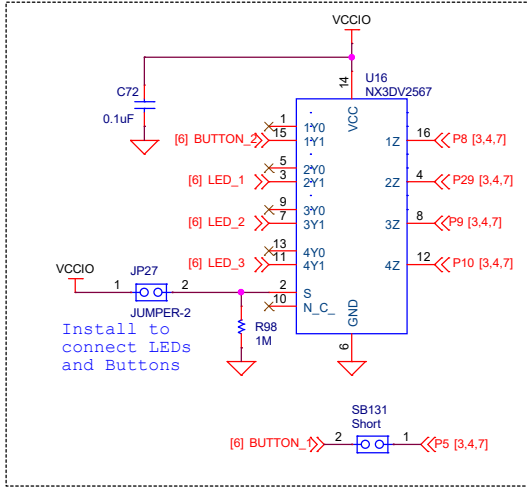
GPIO MUX

- [3.7] P0_GPIO >> <<P0 [3.4,7]
- [3.7] P1_GPIO >> <<P1 [3.4,7]
- [3.7] P2_GPIO >> <<P2 [3.7]
- [3.7] P3_GPIO >> <<P3 [3.7]
- [3.7] P4_GPIO >> <<P4 [3.7]
- [3.7] P5_GPIO >> <<P5 [3.4,7]
- [3.7] P6_GPIO >> <<P6 [3.4,7]
- [3.7] P7_GPIO >> <<P7 [3.4,7]
- [3.7] P8_GPIO >> <<P8 [3.4,7]
- [3.7] P9_GPIO >> <<P9 [3.4,7]
- [3.7] P10_GPIO >> <<P10 [3.4,7]
- [3.6,7] P11_GPIO >> <<P11 [3.6,7]
- [3.6,7] MODE_0 >> <<MODE_0 [3.6,7]
- [3.7] P12_GPIO >> <<P12 [3.4,7]
- [3.7] P13_GPIO >> <<P13 [3.4,7]
- [3.6,7] P14_GPIO >> <<P14 [3.6,7]
- [3.6,7] MODE_1 >> <<MODE_1 [3.6,7]
- [3.7] P15_GPIO >> <<P15 [3.4,7]
- [3.7] P16_GPIO >> <<P16 [3.7]
- [3.7] P17_GPIO >> <<P17 [3.7]
- [3.7] P18_GPIO >> <<P18 [3.4,7]
- [3.7] P19_GPIO >> <<P19 [3.4,7]
- [3.7] P20_GPIO >> <<P20 [3.4,7]
- [3.7] P22_GPIO >> <<P22 [3.4,7]
- [3.7] P23_GPIO >> <<P23 [3.4,7]
- [3.6,7] P24_GPIO >> <<P24 [3.6,7]
- [3.6,7] MODE_2 >> <<MODE_2 [3.6,7]
- [3.7] P25_GPIO >> <<P25 [3.4,7]
- [3.7] P26_GPIO >> <<P26 [3.4,7]
- [3.7] P27_GPIO >> <<P27 [3.4,7]
- [3.7] P28_GPIO >> <<P28 [3.7]
- [3.7] P29_GPIO >> <<P29 [3.4,7]
- [3.7] P30_GPIO >> <<P30 [3.4,7]

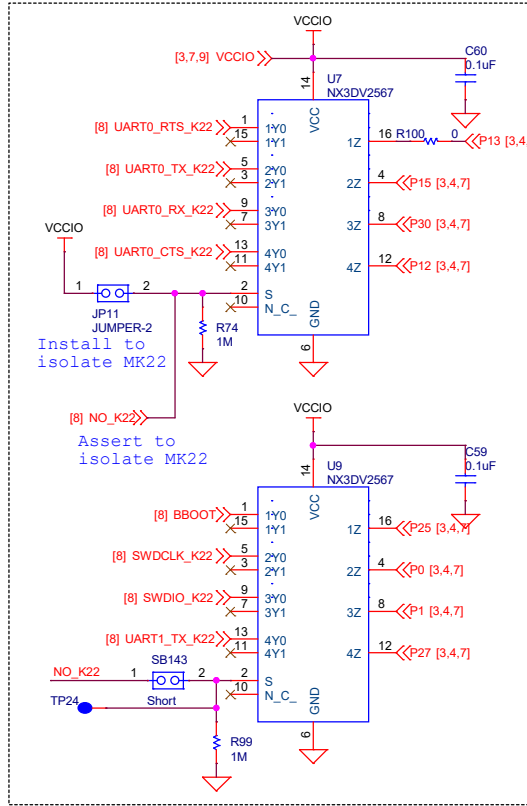
CONNECT SENSORS TO ATM3330



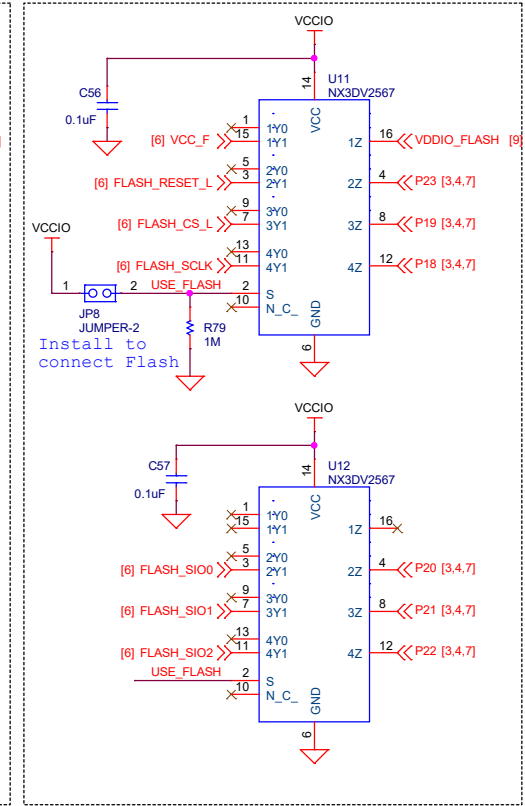
CONNECT LEDS/BUTTONS TO ATM3330



ISOLATE MK22 FROM ATM3330



CONNECT FLASH TO ATM3330

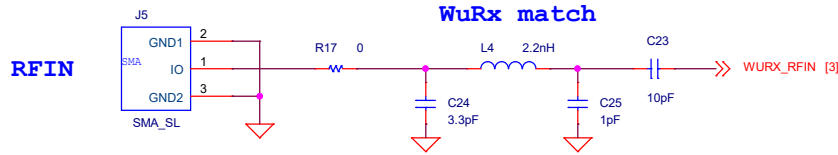
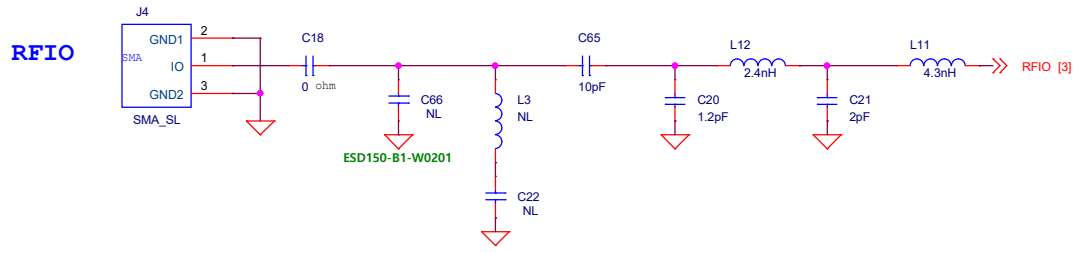


Atmosic Technologies Proprietary and Confidential

ATMOSIC TECHNOLOGIES INC		
Title	ATM3330e EVALUATION BOARD	
Size B	Document Number 052-32-610-xxxx	Rev 3
Date:	Friday, March 31, 2023	Sheet 4 of 10

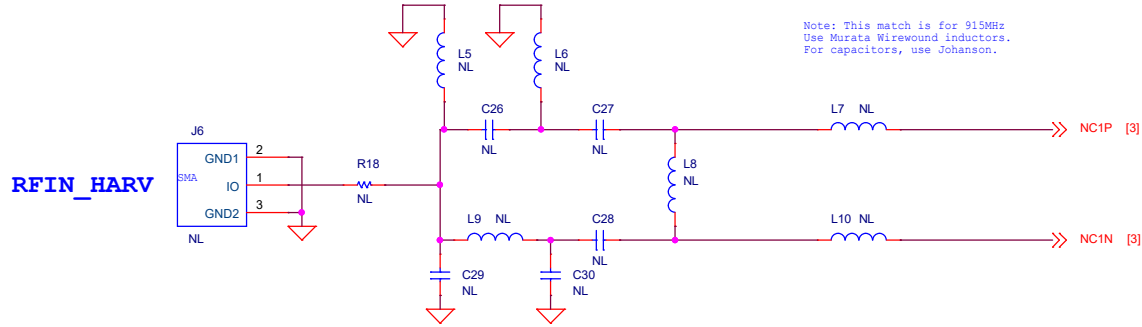
BLE front-end match

Note:
For inductors, use MHQ series from TDK.
For capacitors, use Johanson



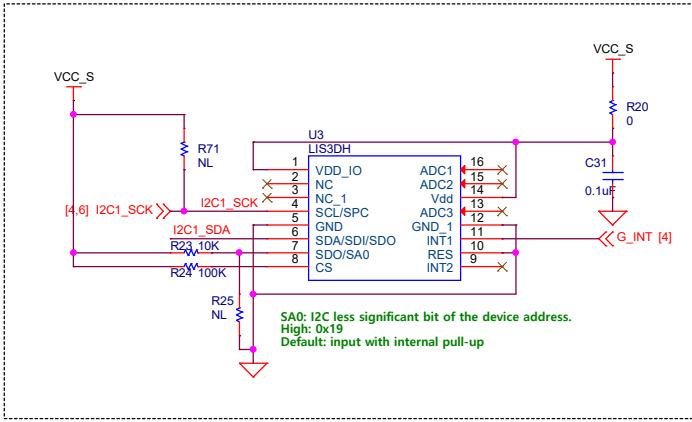
RF Harvester front-end & ANT

Note: This match is for 915MHz
Use Murata Wirewound inductors.
For capacitors, use Johanson.

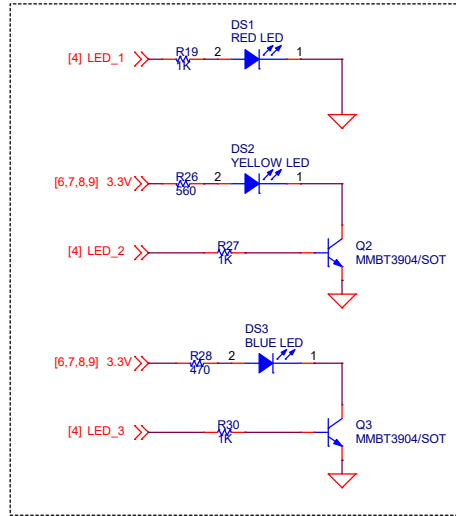


ATMOSIC TECHNOLOGIES INC		
Title ATM3330e EVALUATION BOARD		
Size B	Document Number 052-32-610-xxxx	Rev 3
Date:	Friday, March 31, 2023	Sheet 5 of 10

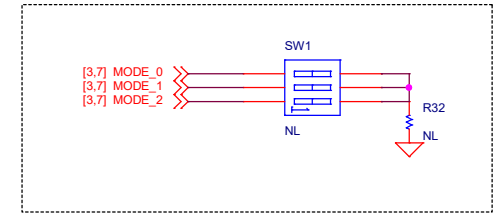
MOTION SENSOR



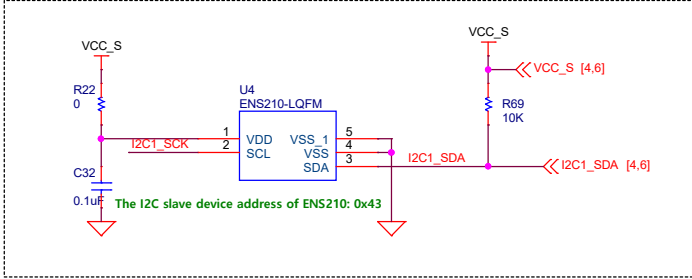
LEDS



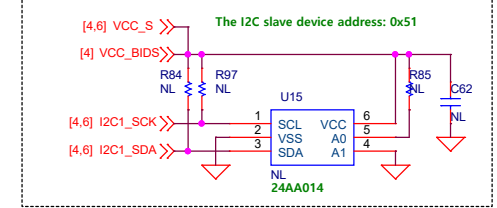
HARV MODES



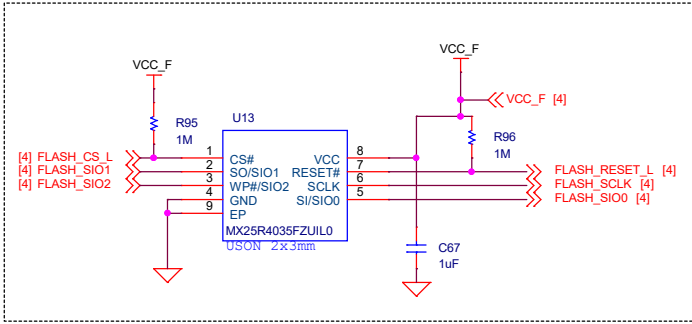
TEMP/HUM SENSOR



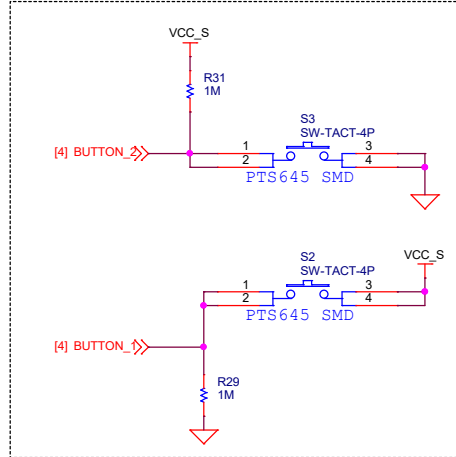
BIDS (1Kbits)



FLASH



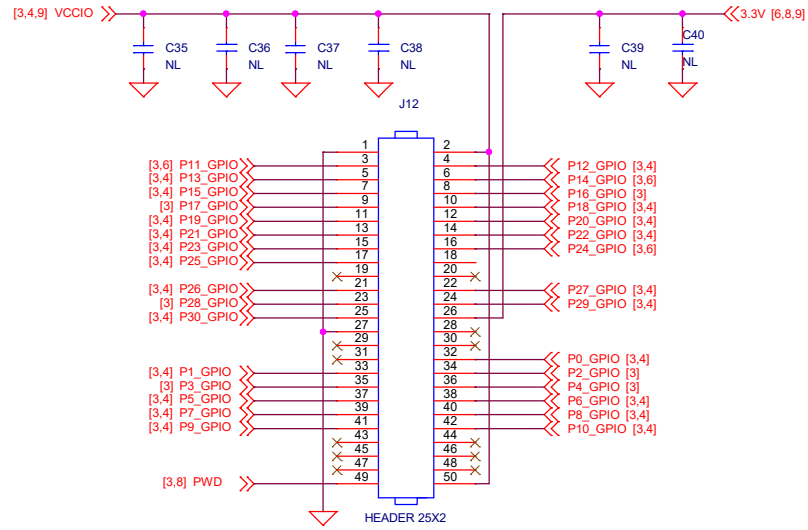
PUSH BUTTONS



ATMOSIC TECHNOLOGIES INC

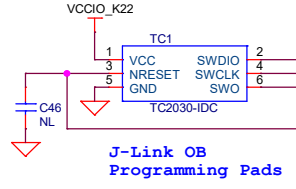
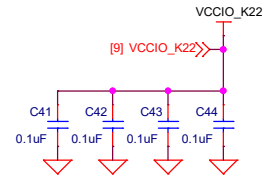
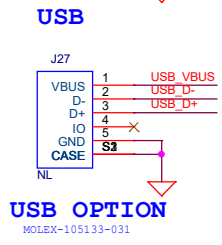
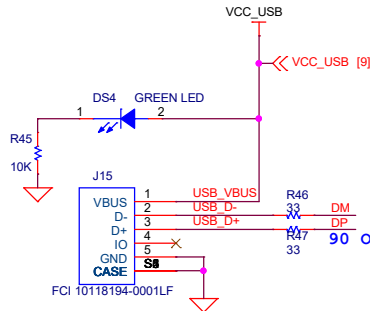
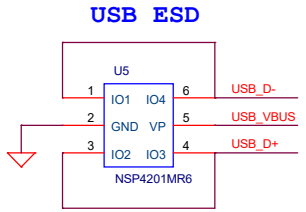
Title		
ATM3330e EVALUATION BOARD		
Size B	Document Number	Rev
	052-32-610-xxxx	3
Date:	Friday, March 31, 2023	Sheet 6 of 10

SENSOR HUB 50-PIN CONNECTOR



ATMOSIC TECHNOLOGIES INC

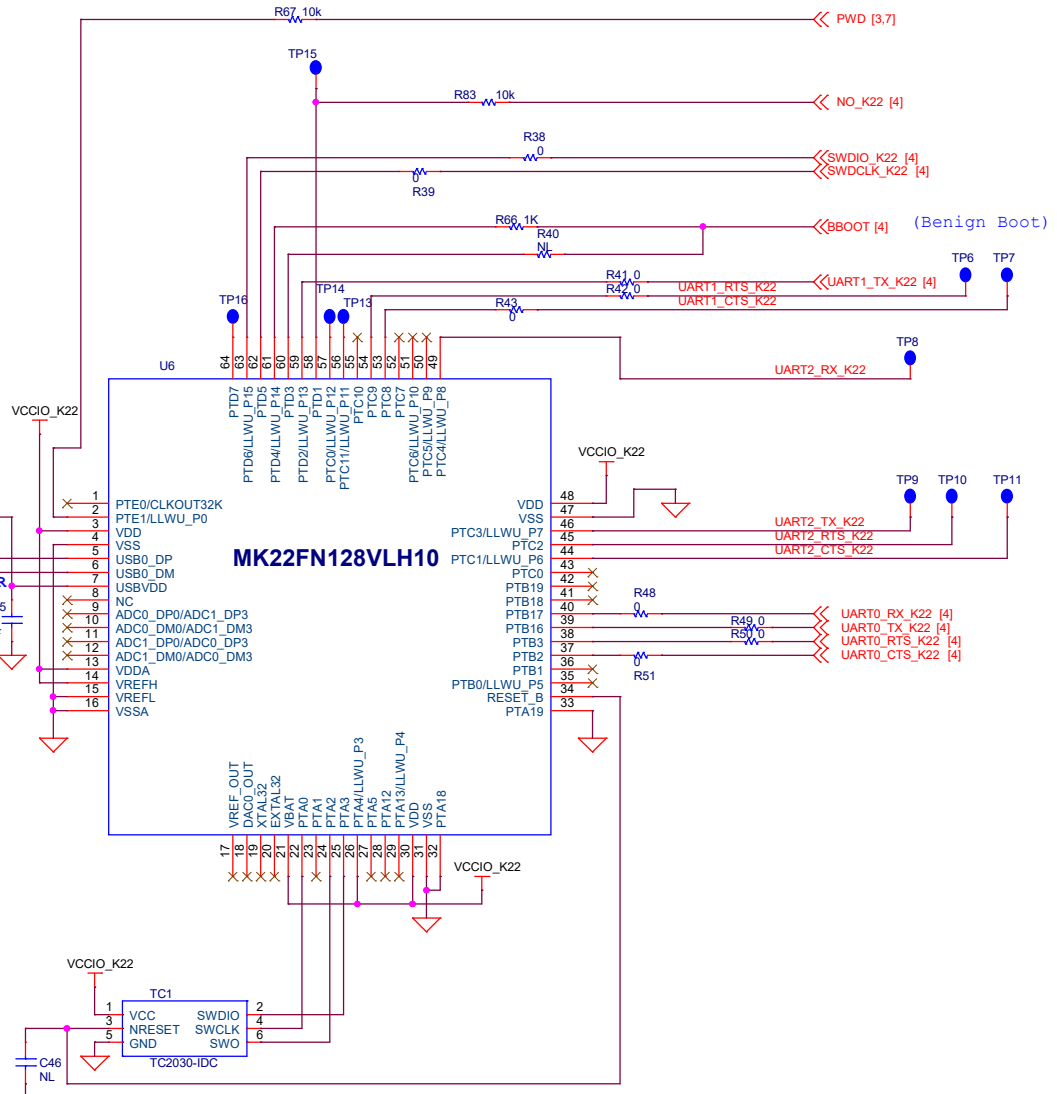
Title		
ATM3330e EVALUATION BOARD		
Size B	Document Number 052-32-610-xxxx	Rev 3
Date:	Friday, March 31, 2023	Sheet 7 of 10



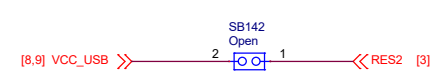
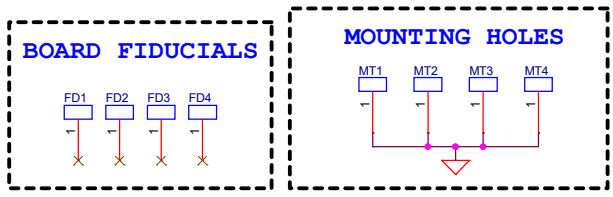
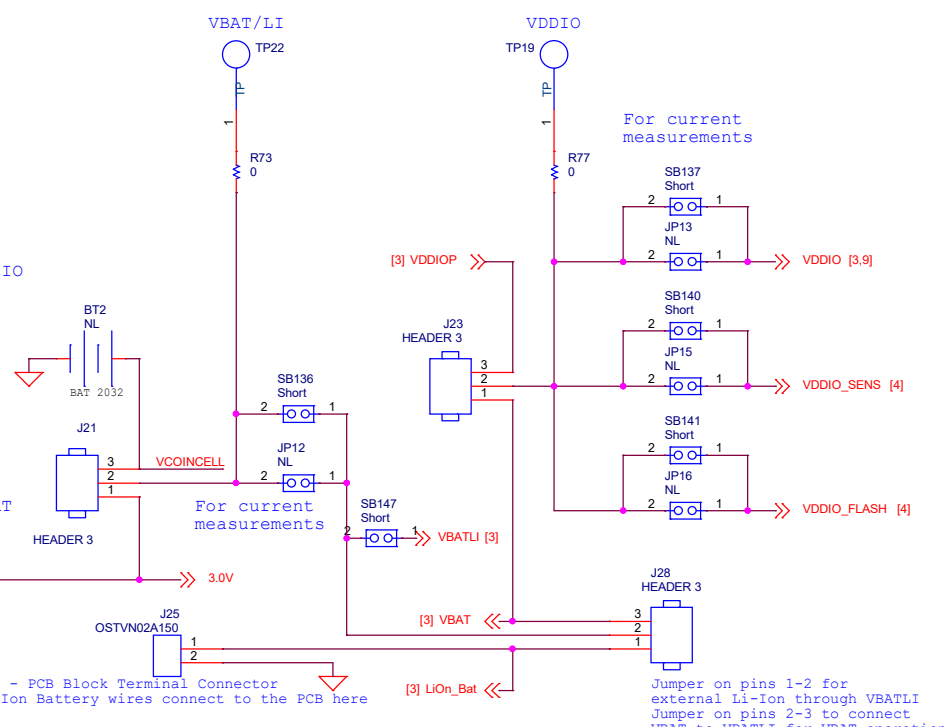
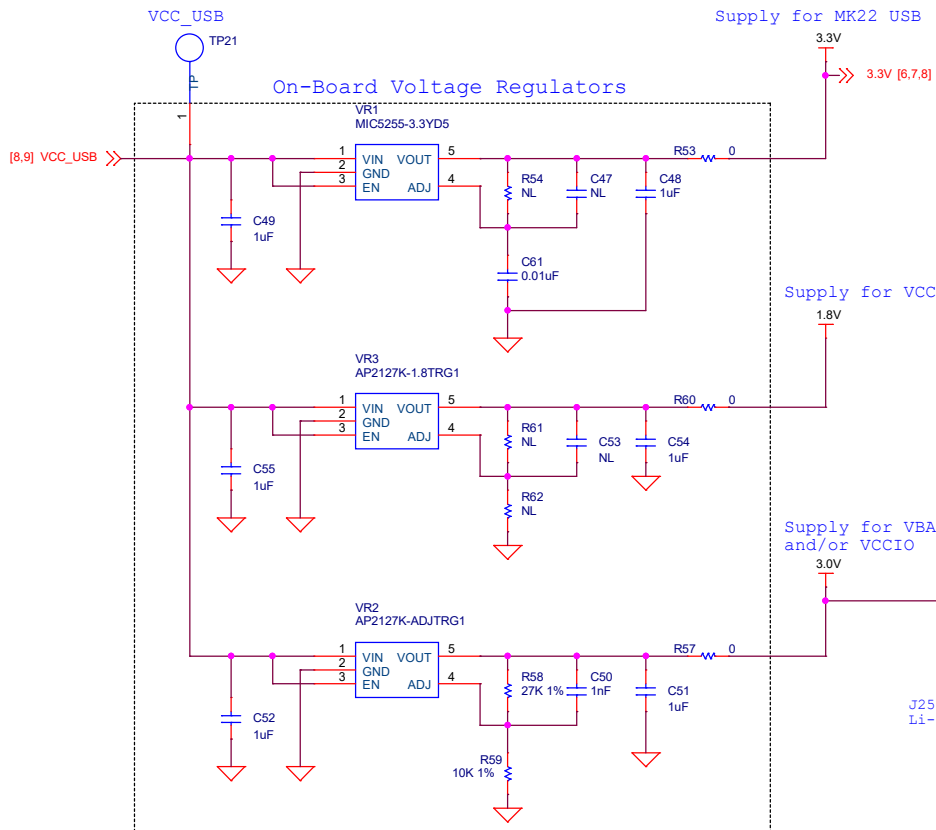
[6,7,9] 3.3V

90 OHM DIFF PAIR

C45 0.1uF



ATMOSIC TECHNOLOGIES INC		
Title ATM3330e EVALUATION BOARD		
Size B	Document Number 052-32-610-xxxx	Rev 3
Date: Friday, March 31, 2023	Sheet 8	of 10



ATMOSIC TECHNOLOGIES INC		
Title ATM3330e EVALUATION BOARD		
Size B	Document Number 052-32-610-xxxx	Rev 3
Date: Friday, March 31, 2023	Sheet 9	of 10

Common EVB Operation Modes

#	Operation Mode	Description	COIN - VBAT - 3V	1.8V - VCCIO - 3V	VDDIOP - VDDIO - VBAT	VBAT - VBATLI - VBATLI	VDDIO Test Loop	VCCIO Test Loop	VBAT/LI Test Loop	PV CELL Connector	Li-Ion Battery Connector	Sensors Accelerometer enable	J-Link Bypass	Flash enable	Button & LED enable	VAUX - VDDIOP	PV HARV enable	COIN CELL - VCCIO	USB connection to laptop	Coin Cell Battery holder
1	Default VBAT operation	VBAT = 3V generated by on-board voltage regulator VDDIO = 1.8V internally generated by ATM3330 EVB is powered through USB connection to laptop	1-2	2-3	2-3	2-3	open	open	open	optional	open	optional	optional	optional	optional	open	optional	open	connected	optional
2	VBAT operation with Coin Cell	VBAT = 3V Coin Cell Voltage VDDIO = 1.8V internally generated by ATM3330 EVB is powered by the Coin Cell	2-3	2-3	2-3	2-3	open	open	open	optional	open	optional	installed	optional	optional	open	optional	open	optional	battery installed
3	VBAT operation with Power Profiling	VBAT = external DC supply VDDIO = 1.8V internally generated by ATM3330 EVB peripherals are powered through USB connection to laptop	open	2-3	2-3	2-3	open	open	DC supply	optional	open	open	installed	open	open	open	optional	open	connected	optional
		VBAT = external DC supply VDDIO = 1.8V internally generated by ATM3330 EVB peripherals are powered through Coin Cell	open	open	2-3	2-3	open	open	DC supply	optional	open	open	installed	open	open	open	optional	0 ohms	not needed	battery installed
4	VBATLI (3V) operation	VBATLI = 3V generated by on-board voltage regulator VDDIO = 1.8V internally generated by ATM3330 EVB is powered through USB connection to laptop	1-2	2-3	2-3	open	open	open	open	optional	open	optional	optional	optional	optional	open	optional	open	connected	optional
5	VBATLI (using Coin Cell) operation	VBATLI = Coin Cell Voltage VDDIO = 1.8V internally generated by ATM3330 EVB peripherals are powered through USB connection to laptop	2-3	2-3	2-3	open	open	open	open	optional	open	optional	installed	optional	optional	open	optional	open	optional	battery installed
6	VBATLI (using External Li-Ion battery) operation	VBATLI = External Li-Ion battery Voltage VDDIO = 1.8V internally generated by ATM3330 EVB peripherals are powered through USB connection to laptop	open	2-3	2-3	1-2	open	open	open	optional	Li-Ion battery connected	optional	installed	optional	optional	open	optional	open	optional	optional
7	VBATLI operation with Power Profiling	VBATLI = external DC supply VDDIO = 1.8V internally generated by ATM3330 EVB peripherals are powered through USB connection to laptop	open	2-3	2-3	1-2	open	open	DC supply	optional	open	open	installed	open	open	open	optional	open	connected	optional
		VBATLI = external DC supply VDDIO = 1.8V internally generated by ATM3330 EVB peripherals are powered through Coin Cell	open	open	2-3	1-2	open	open	DC supply	optional	open	open	installed	open	open	open	optional	0 ohms	not needed	battery installed
8	3V VBAT with external VDDIO operation	VBAT = 3V generated by on-board voltage regulator VDDIO = VBAT EVB is powered through USB connection to laptop	1-2	1-2	1-2	2-3	open	open	open	optional	open	optional	optional	optional	optional	installed	optional	open	connected	optional
		VBAT = 3V generated by on-board voltage regulator VDDIO = External DC supply EVB is powered through USB connection to laptop	1-2	open	open	2-3		DC supply	open	open	optional	open	optional	optional	optional	optional	installed	optional	open	connected

ATMOSIC TECHNOLOGIES INC		
Title ATM3330e EVALUATION BOARD		
Size B	Document Number 052-32-610-xxxx	Rev 3
Date:	Friday, March 31, 2023	Sheet 10 of 10