

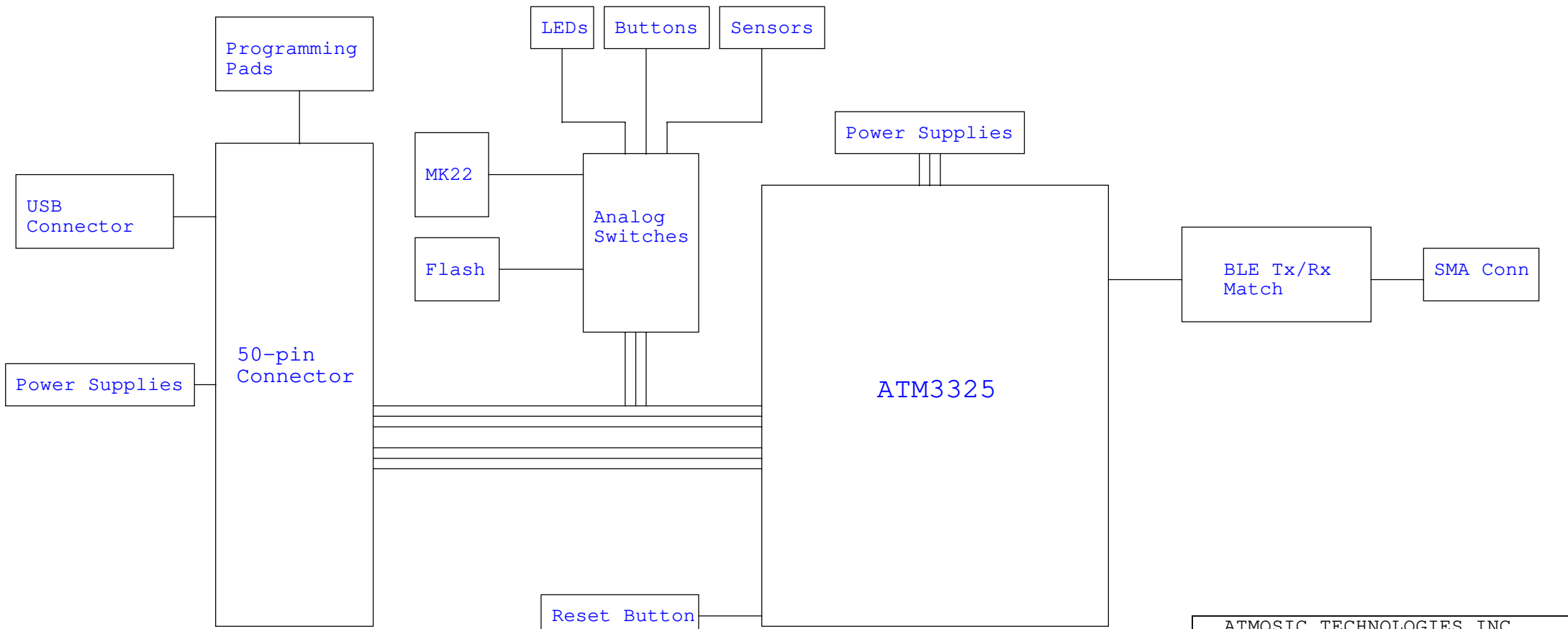
# ATM3325 EVALUATION BOARD (with J-Link OB)

Release Date	Revision	Design Eng.	Design Notes
6/23/22	-2.0	Joe Chen	Initial release
8/8/22	-2.1	Joe Chen	Updated RFIO match, C21=1.8pF, C30=3pF, L12=2nH Updated VAUX cap C5 from 1uF to 4.7uF Updated R69 from NL to 10Kohm(0402) Updated SB131 from NL to 0ohm(0402)
1/3/23	-3.0	Joe Chen	Updated RFIO match, L11:4.7nH, C21:2pF, L12:2.4nH, C20:1.2pF Added R100=0ohm between P13 and U7 Changed SB131 from 0 to Short Added R104 between VCCIO and COINCELL Remove TP25 and added R107=0ohm for P25 to LED3 Added SB144(short) between R13(VDDPA) and VDDIOP
3/31/23	-3.1	Afan Lin	Modified the description for C12

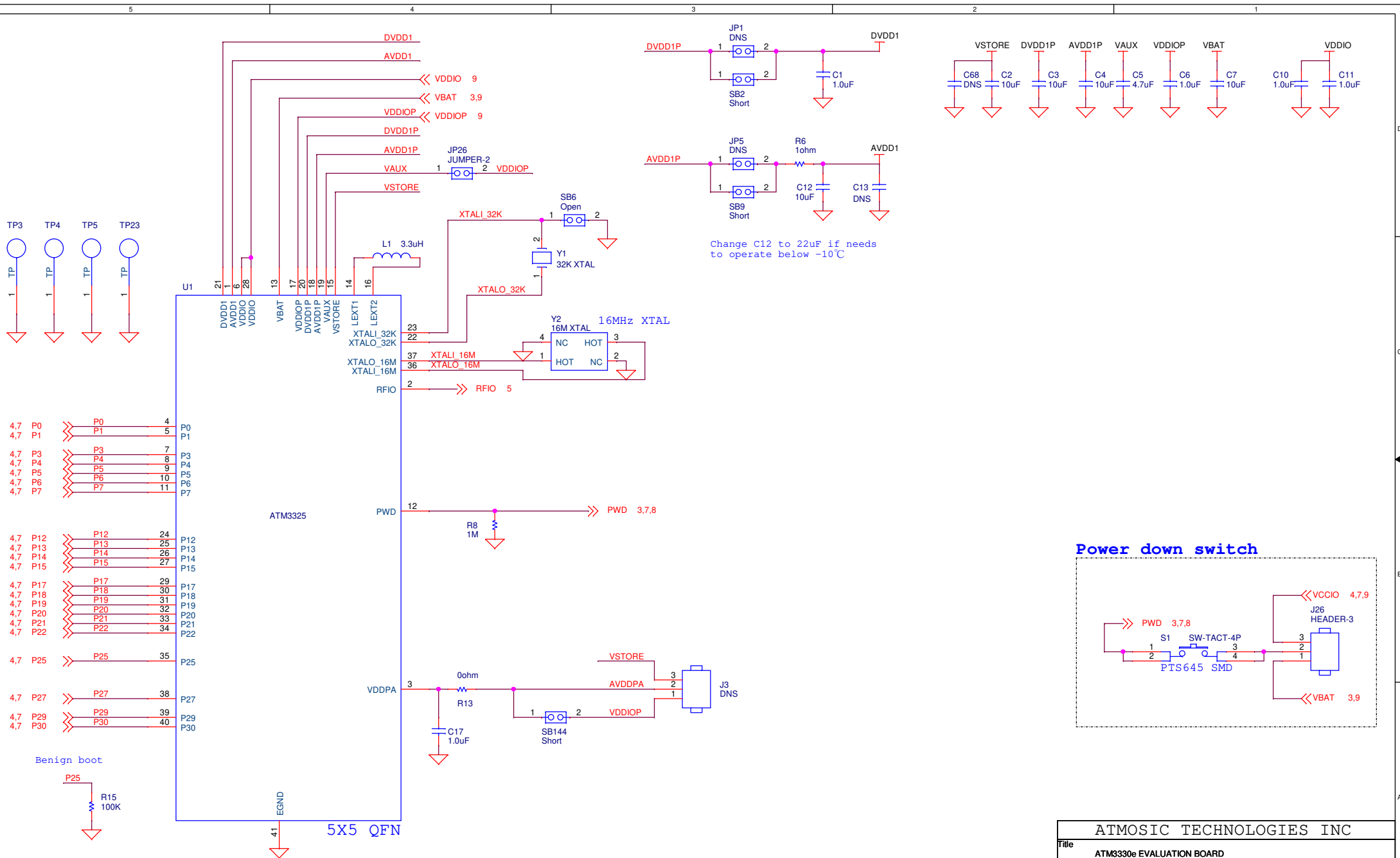
**Atmosic Technologies, Inc**

ATMOSIC TECHNOLOGIES INC		
Title ATM3325 EVALUATION BOARD		
Size B	Document Number 067-30-610-xxxx	Rev 3.1
Date:	Friday, March 31, 2023	Sheet 1 of 9

# Block Diagram

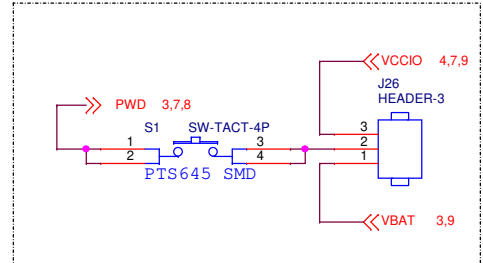


ATMOSIC TECHNOLOGIES INC			
Title ATM3325 EVALUATION BOARD			
Size B	Document Number 067-30-610-xxxx	Rev 3.1	
Date:	Friday, March 31, 2023	Sheet	2 of 9



Change C12 to 22uF if needs to operate below -10°C

**Power down switch**



ATMOSIC TECHNOLOGIES INC		
Title ATM3330e EVALUATION BOARD		
Size B	Document Number 067-30-610-xxxx	Rev 3.1
Date:	Friday, March 31, 2023	Sheet 3 of 9

## GPIO MUX

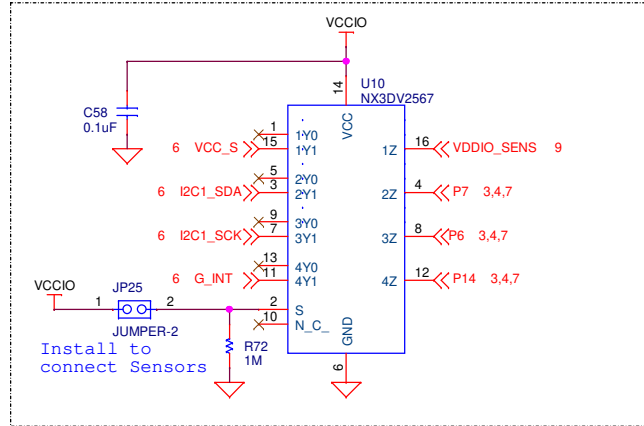
3,7 P0\_GPIO >>> P0 3,4,7  
 3,7 P1\_GPIO >>> P1 3,4,7  
 3,7 P3\_GPIO >>> P3 3,4,7  
 3,7 P4\_GPIO >>> P4 3,4,7  
 3,7 P5\_GPIO >>> P5 3,4,7  
 3,7 P6\_GPIO >>> P6 3,4,7  
 3,7 P7\_GPIO >>> P7 3,4,7

3,7 P12\_GPIO >>> P12 3,4,7  
 3,7 P13\_GPIO >>> P13 3,4,7  
 3,7 P14\_GPIO >>> P14 3,4,7  
 3,7 P15\_GPIO >>> P15 3,4,7

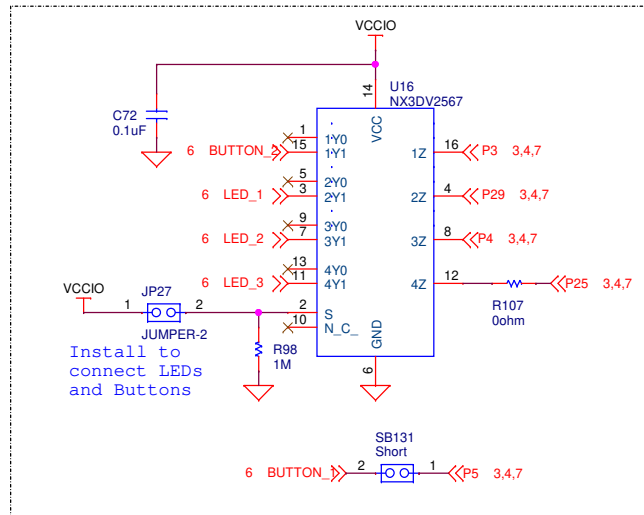
3,7 P17\_GPIO >>> P17 3,4,7  
 3,7 P18\_GPIO >>> P18 3,4,7  
 3,7 P19\_GPIO >>> P19 3,4,7  
 3,7 P20\_GPIO >>> P20 3,4,7  
 3,7 P21\_GPIO >>> P21 3,4,7  
 3,7 P22\_GPIO >>> P22 3,4,7

3,7 P25\_GPIO >>> P25 3,4,7  
 3,7 P27\_GPIO >>> P27 3,4,7  
 3,7 P29\_GPIO >>> P29 3,4,7  
 3,7 P30\_GPIO >>> P30 3,4,7

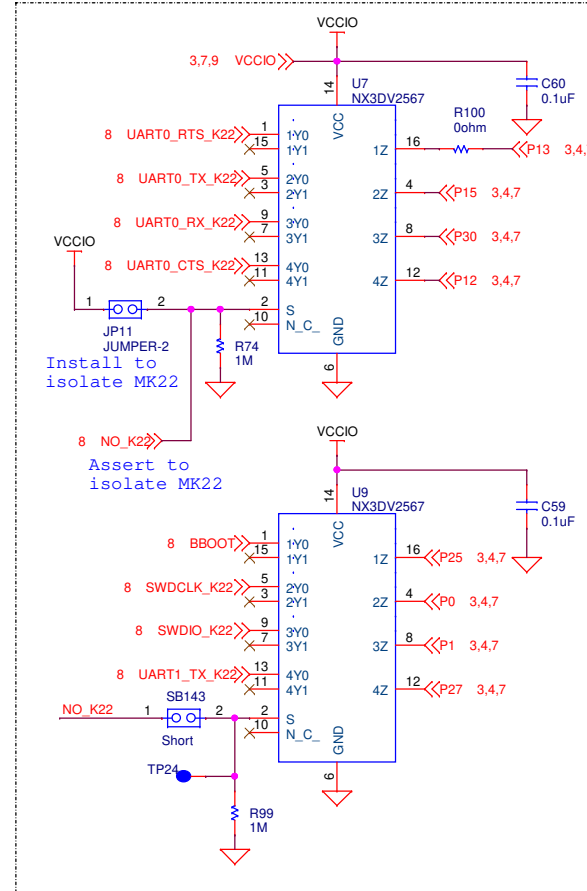
## CONNECT SENSORS TO ATM3325



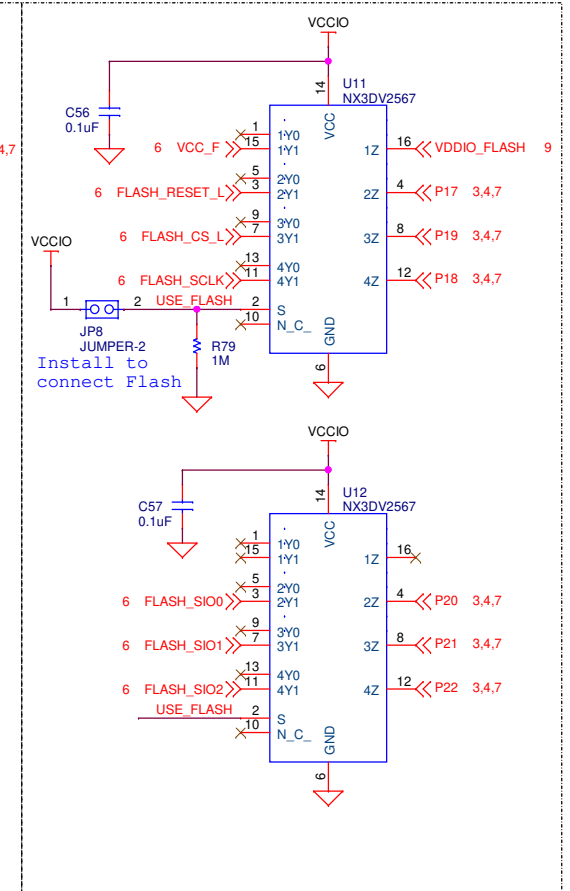
## CONNECT LEDS/BUTTONS TO ATM3325

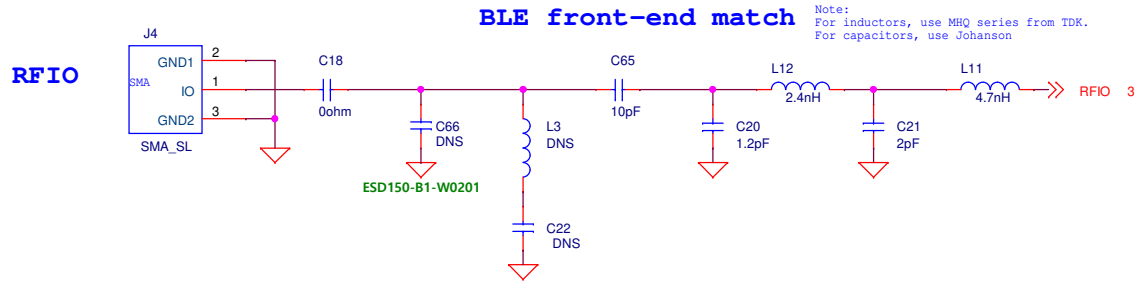


## ISOLATE MK22 FROM ATM3325



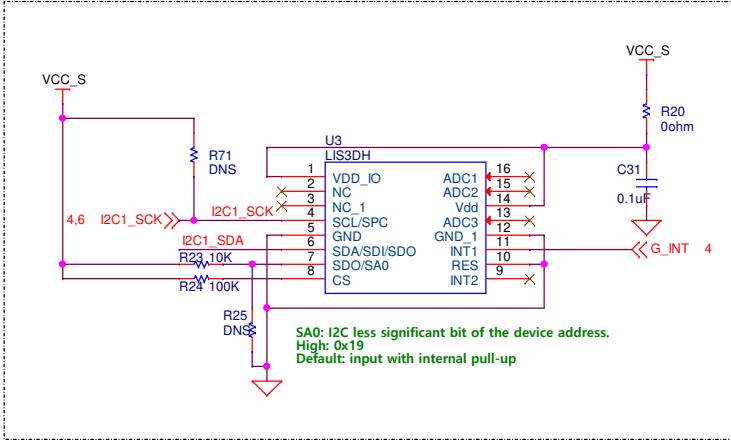
## CONNECT FLASH TO ATM3325



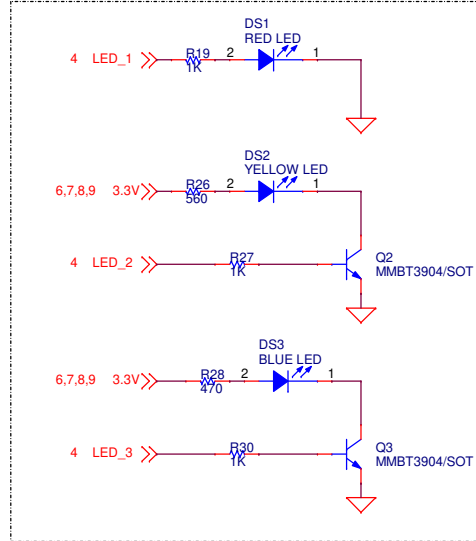


ATMOSIC TECHNOLOGIES INC		
Title ATM3325 EVALUATION BOARD		
Size B	Document Number 067-30-610-xxxx	Rev 3.1
Date: Friday, March 31, 2023	Sheet 5	of 9

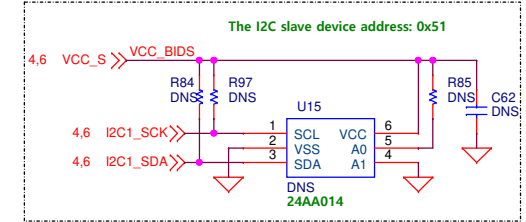
## MOTION SENSOR



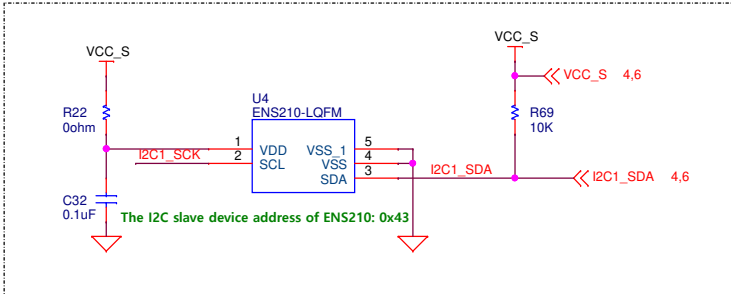
## LEDS



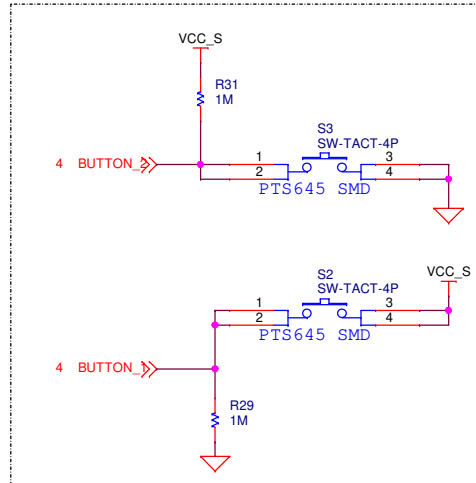
## BIDS (1Kbits)



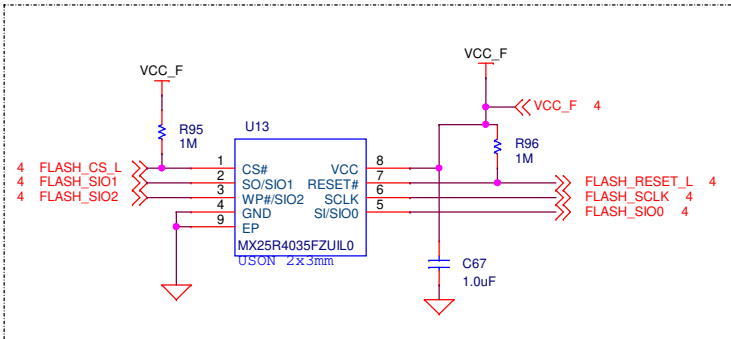
## TEMP/HUM SENSOR



## PUSH BUTTONS



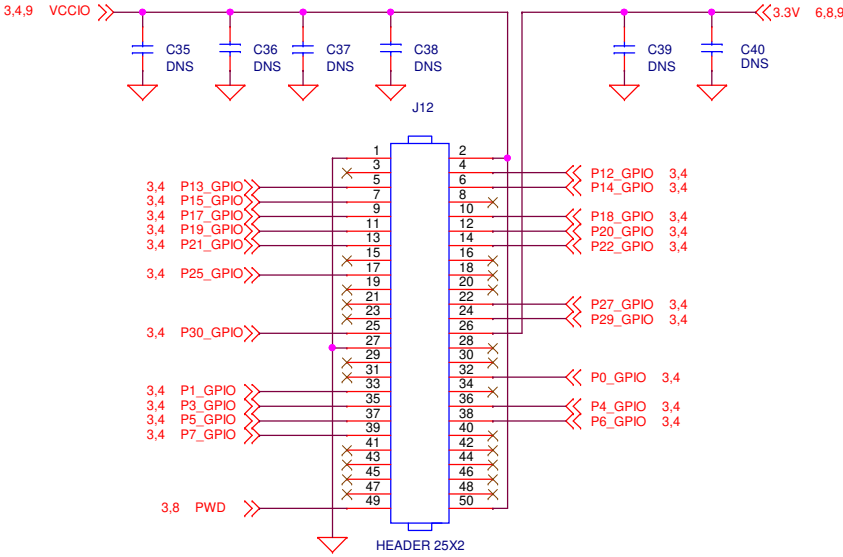
## FLASH



ATMOSIC TECHNOLOGIES INC

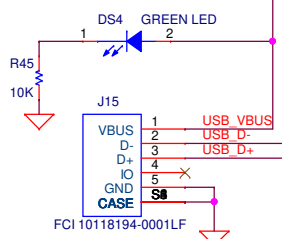
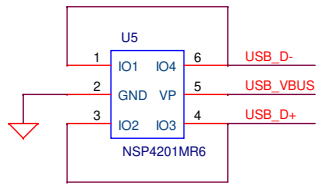
Title		
ATM3325 EVALUATION BOARD		
Size	Document Number	Rev
B	067-30-610-xxxx	3.1
Date:	Friday, March 31, 2023	Sheet 6 of 9

# SENSOR HUB 50-PIN CONNECTOR

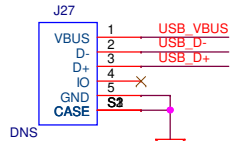


<b>ATMOSIC TECHNOLOGIES INC</b>		
Title		
ATM3325 EVALUATION BOARD		
Size	Document Number	Rev
B	067-30-610-xxxx	3.1
Date:	Friday, March 31, 2023	Sheet 7 of 9

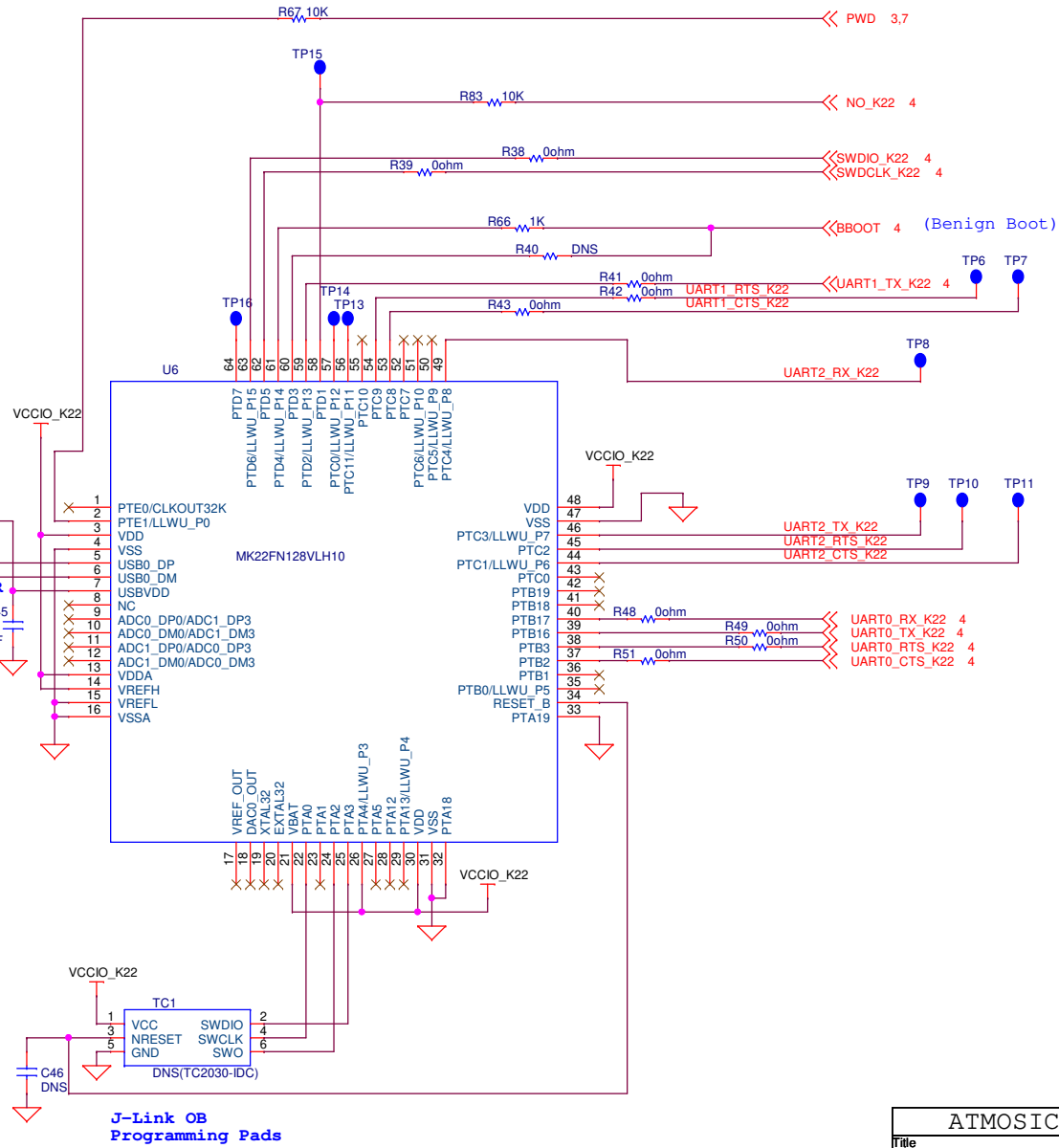
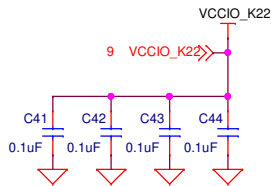
**USB ESD**



**USB**

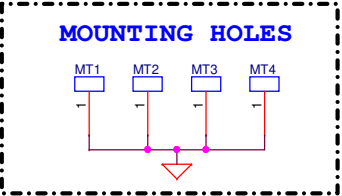
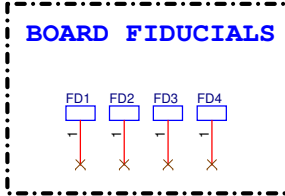
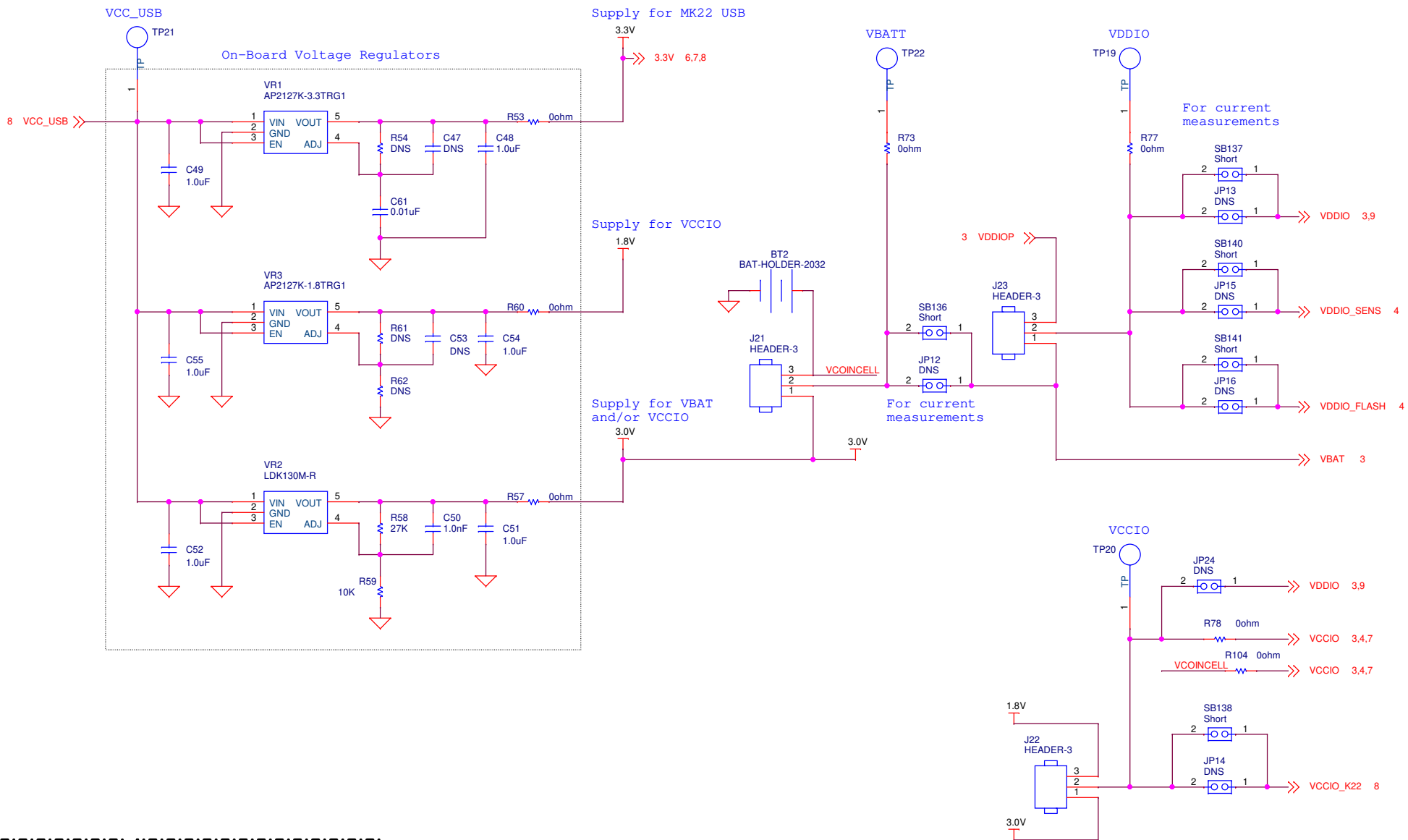


**USB OPTION**



<b>ATMOSIC TECHNOLOGIES INC</b>		
Title ATM3325 EVALUATION BOARD		
Size B	Document Number 067-30-610-xxxx	Rev 3.1
Date:	Friday, March 31, 2023	Sheet 8 of 9





<b>ATMOSIC TECHNOLOGIES INC</b>		
Title ATM3325 EVALUATION BOARD		
Size B	Document Number 067-30-610-xxxx	Rev 3.1
Date: Friday, March 31, 2023	Sheet 9	of 9