

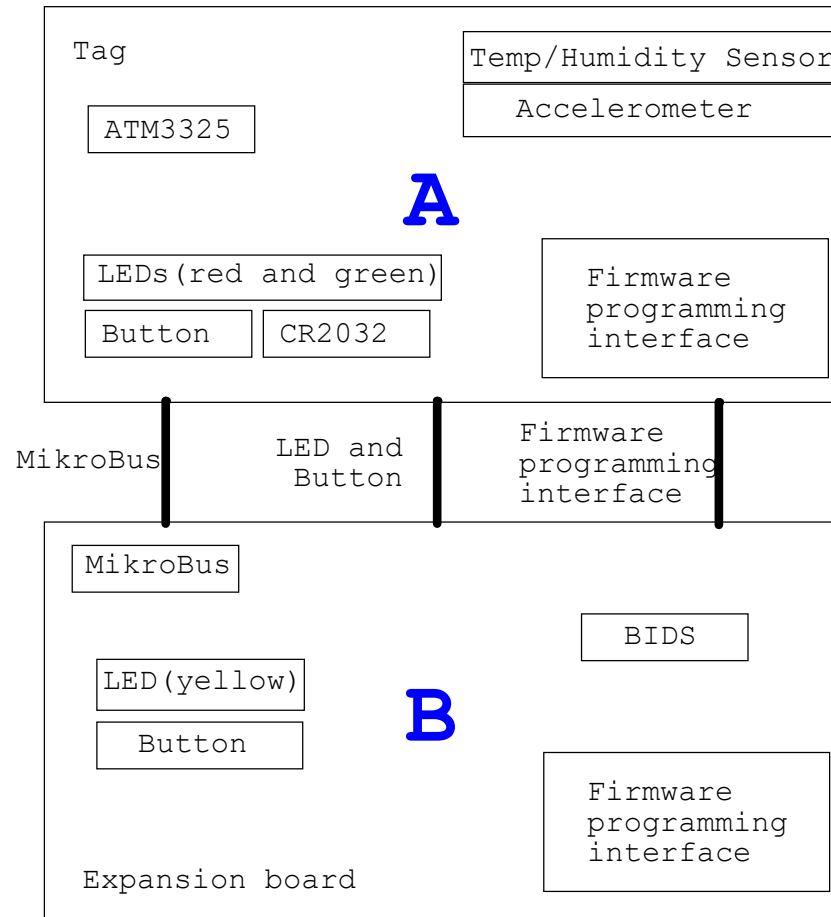
ATM3325 Tag Reference Design

Release Date	Revision	Design Eng.	Design Notes
08/22/2022	V0	Yancey Yang	Initial release
01/06/2023	V1	Yancey Yang	Update the RFIO and antenna matching value
05/16/2023	V2	Yancey Yang	Update the RFIO value - L11 is changed to 5.1nH(TDK) - L2 is changed to 3nH(TDK) - C20 is changed to 1.2pF - C65 is changed to 22pF R17=NC, R16=0 ohm, C6=1uF, C17=1uF, R70=10K

Atmosic Technologies, Inc
 2105 South Bascom Avenue, Suite 220
 Campbell, CA 95008

ATMOSIC TECHNOLOGIES INC		
Title ATM33-RTLS-TAG-RDK		
Size B	Document Number <076-11-610-xxxx>	Rev 0
Date: Friday, June 02, 2023	Sheet 1	of 11

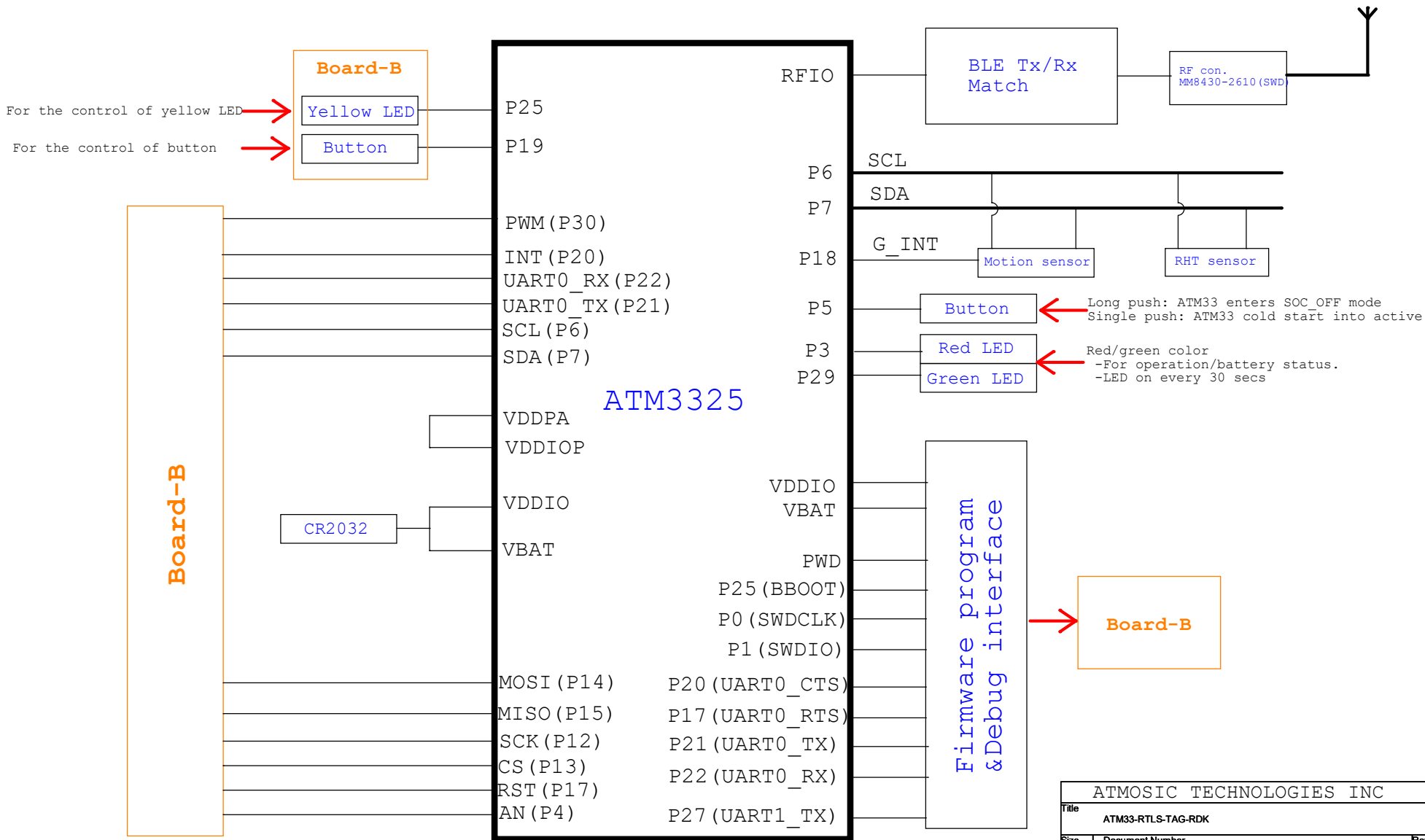
Block Diagram



Notes:
Board_A and Board_B can be broken-off.

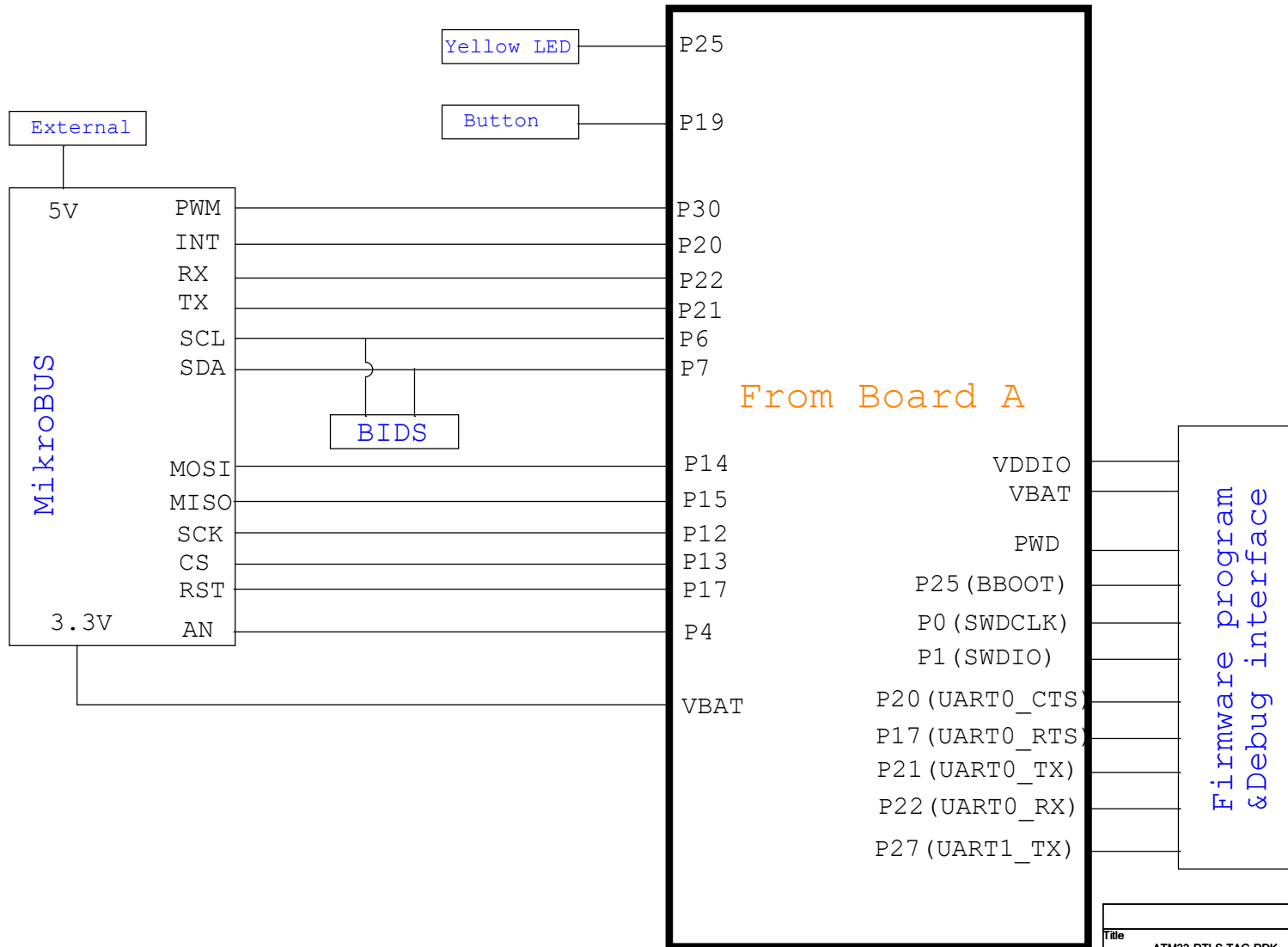
Title		
ATM33-RTLS-TAG-RDK		
Size	Document Number	Rev
B	<076-11-610-xxxx>	<RevCode>
Date:	Friday, June 02, 2023	Sheet 2 of 11

Block Diagram - A



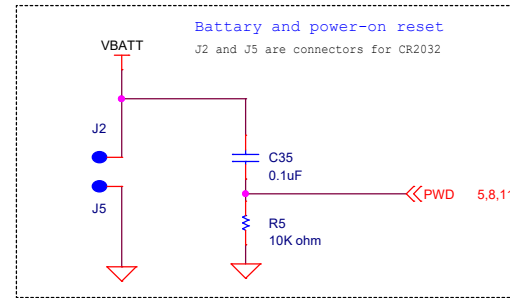
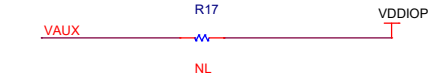
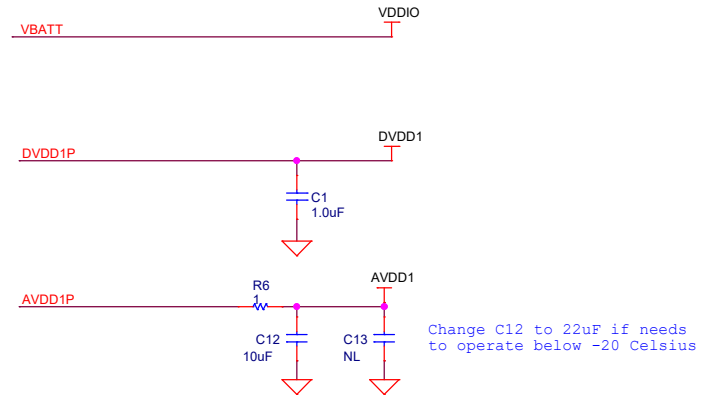
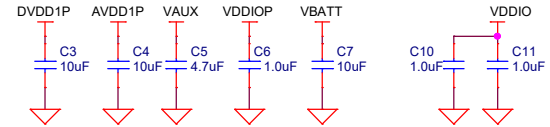
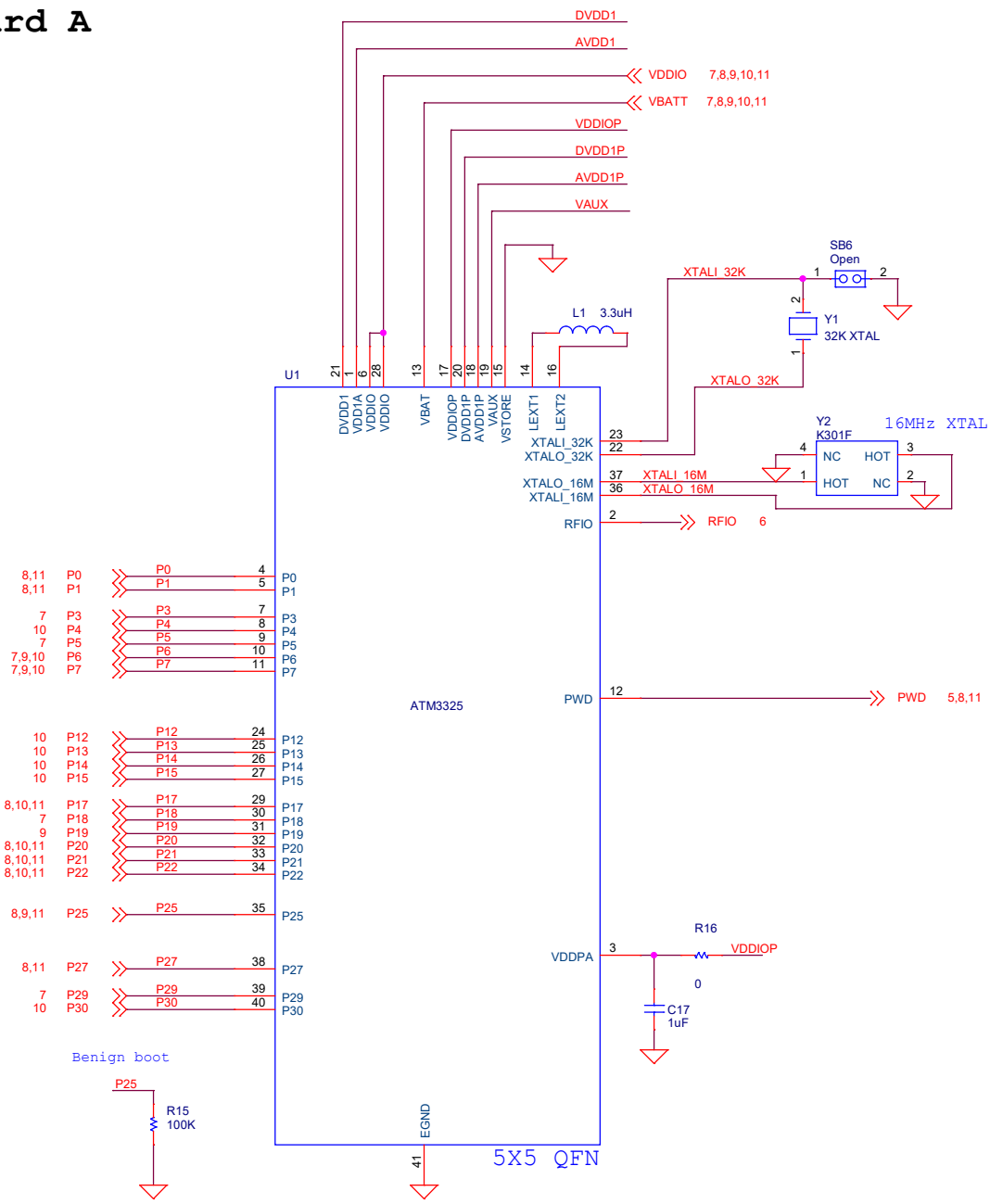
ATMOSIC TECHNOLOGIES INC		
Title ATM33-RTLS-TAG-RDK		
Size B	Document Number <076-11-610-xxxx>	Rev 0
Date: Friday, June 02, 2023	Sheet 3	of 11

Block Diagram - B



Title		
ATM33-RTLS-TAG-RDK		
Size	Document Number	Rev
B	<076-11-610>xxxx	<RevCode>
Date:	Friday, June 02, 2023	Sheet 4 of 11

Board A

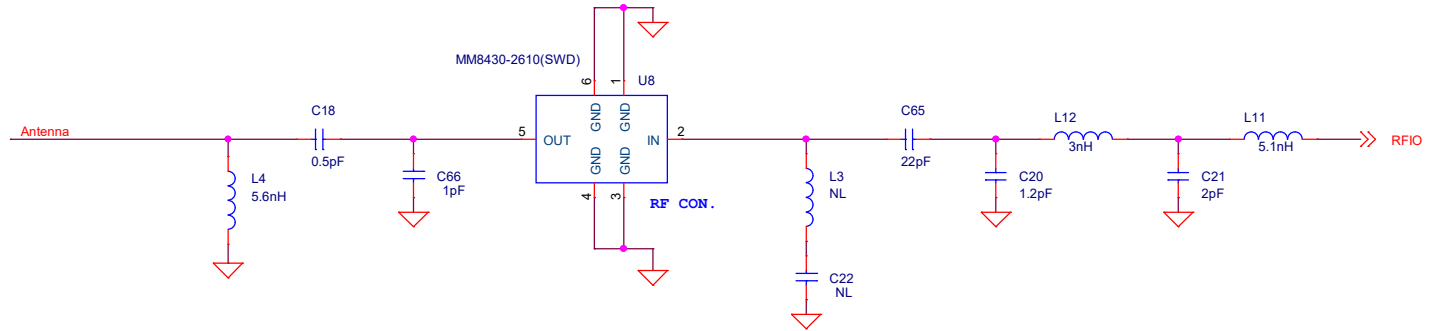


Atmosic Technologies Proprietary and Confidential

ATMOSIC TECHNOLOGIES INC		
Title ATM33-RTLS-TAG-RDK		
Size B	Document Number <076-11-610-xxxx>	Rev 2
Date:	Friday, June 02, 2023	Sheet 5 of 11

BLE front-end match

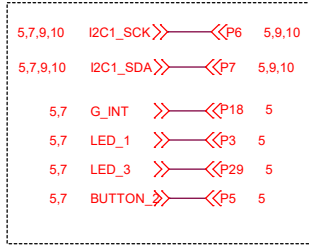
Note:
For inductors, use MHQ series from TDK.
For capacitors, use Johanson



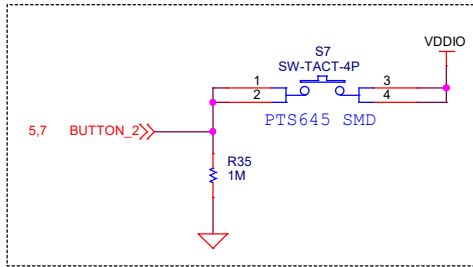
ATMOSIC TECHNOLOGIES INC		
Title ATM33-RTLS-TAG-RDK		
Size B	Document Number <076-11-610-xxxx>	Rev 0
Date:	Friday, June 02, 2023	Sheet 6 of 11

Board A

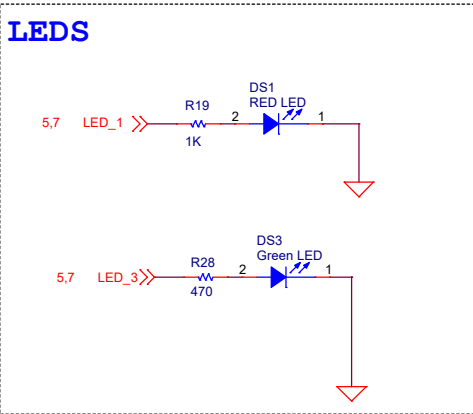
GPIO MUX



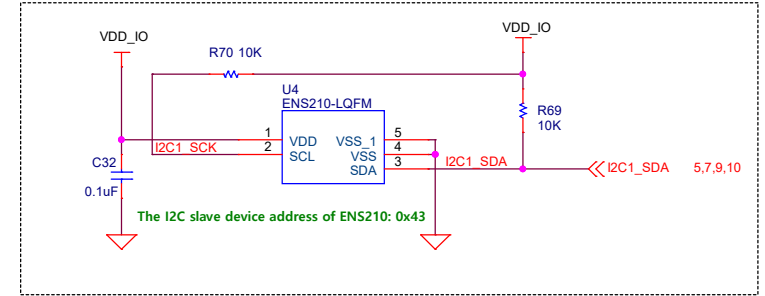
PUSH BUTTONS



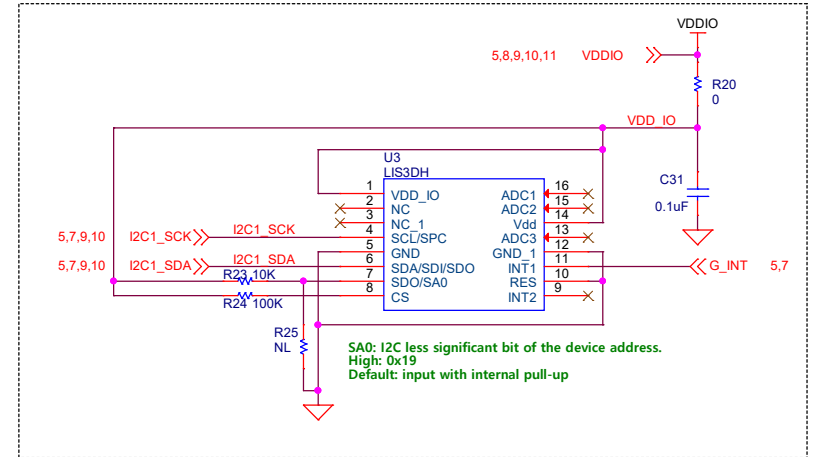
LEDS



TEMP/HUM SENSOR



MOTION SENSOR

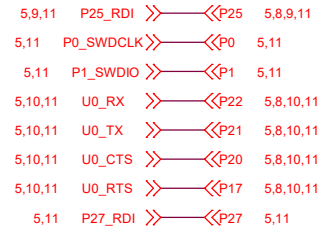


ATMOSIC TECHNOLOGIES INC

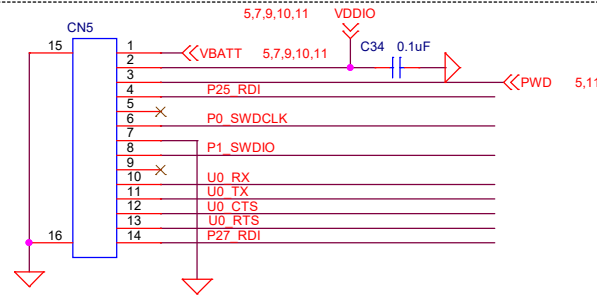
Title		
ATM33-RTLS-TAG-RDK		
Size	Document Number	Rev
B	<076-11-610-xxxx>	0
Date:	Friday, June 02, 2023	Sheet 7 of 11

Board A

GPIO MUX



JTAG PROGRAMMING



GPIOs to Board_B (On Board B)

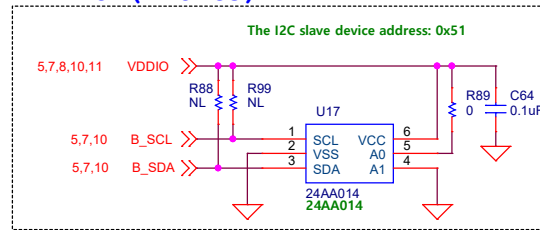


ATMOSIC TECHNOLOGIES INC

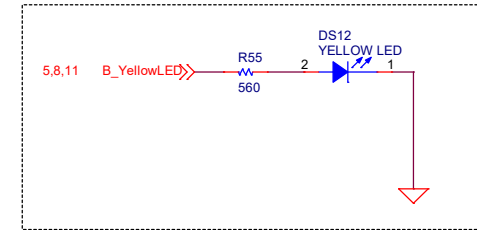
Title		
ATM33-RTLS-TAG-RDK		
Size	Document Number	Rev
B	<076-11-610-xxxx>	0
Date:	Friday, June 02, 2023	Sheet 8 of 11

Board B

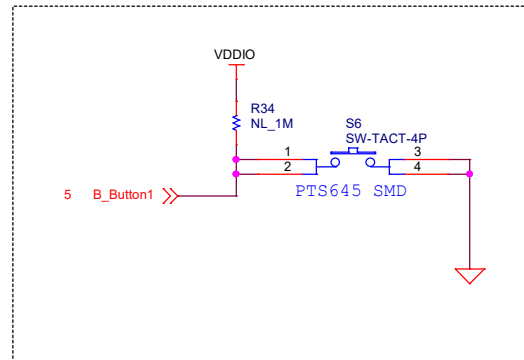
BIDS (1Kbits)



LED

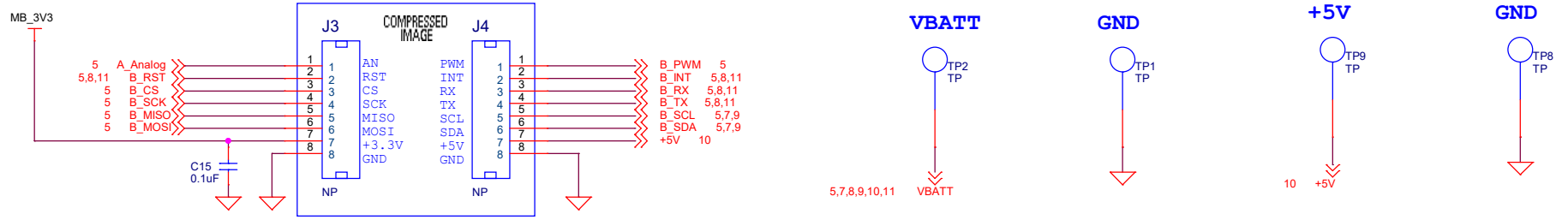


PUSH BUTTON

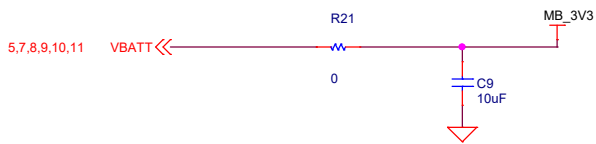
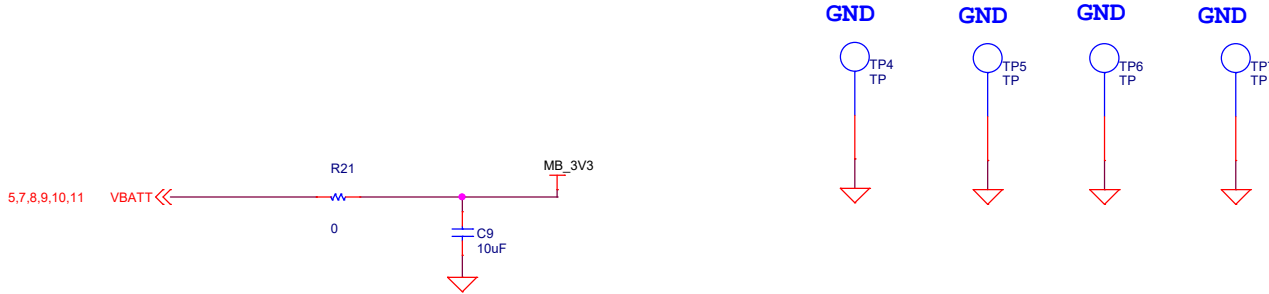
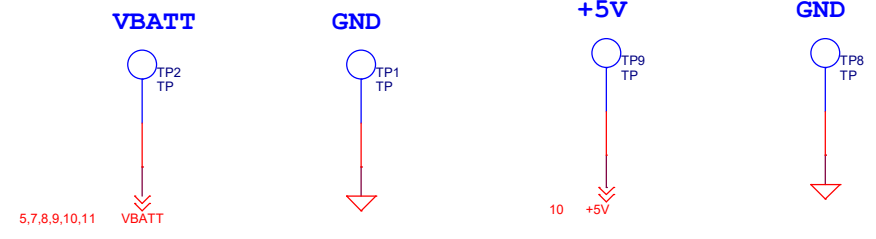


Title		
ATM33-RTLS-TAG-RDK		
Size	Document Number	Rev
B	<076-11-610-xxxx>	<RevCode>
Date:	Friday, June 02, 2023	Sheet 9 of 11

Board B



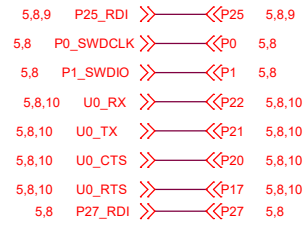
MikroBUS SOCKETS



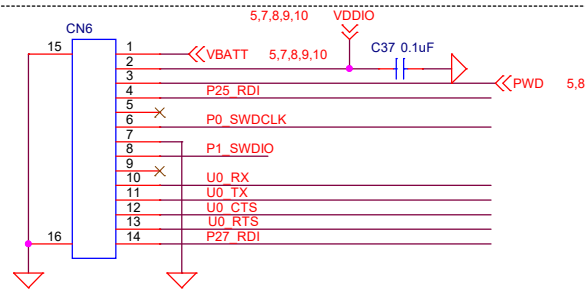
ATMOSIC TECHNOLOGIES INC		
Title ATM33-RTL5-TAG-RDK		
Size B	Document Number <076-11-610-xxxx>	Rev A
Date:	Friday, June 02, 2023	Sheet 10 of 11

Board B

GPIO MUX



JTAG PROGRAMMING



Title		
ATM33-RTLS-TAG-RDK		
Size	Document Number	Rev
B	<076-11-610-xxxx>	<RevCode>
Date:	Friday, June 02, 2023	Sheet 11 of 11