

ATM3325 w/ EXTENDED STORAGE EVALUATION BOARD (with J-Link OB)

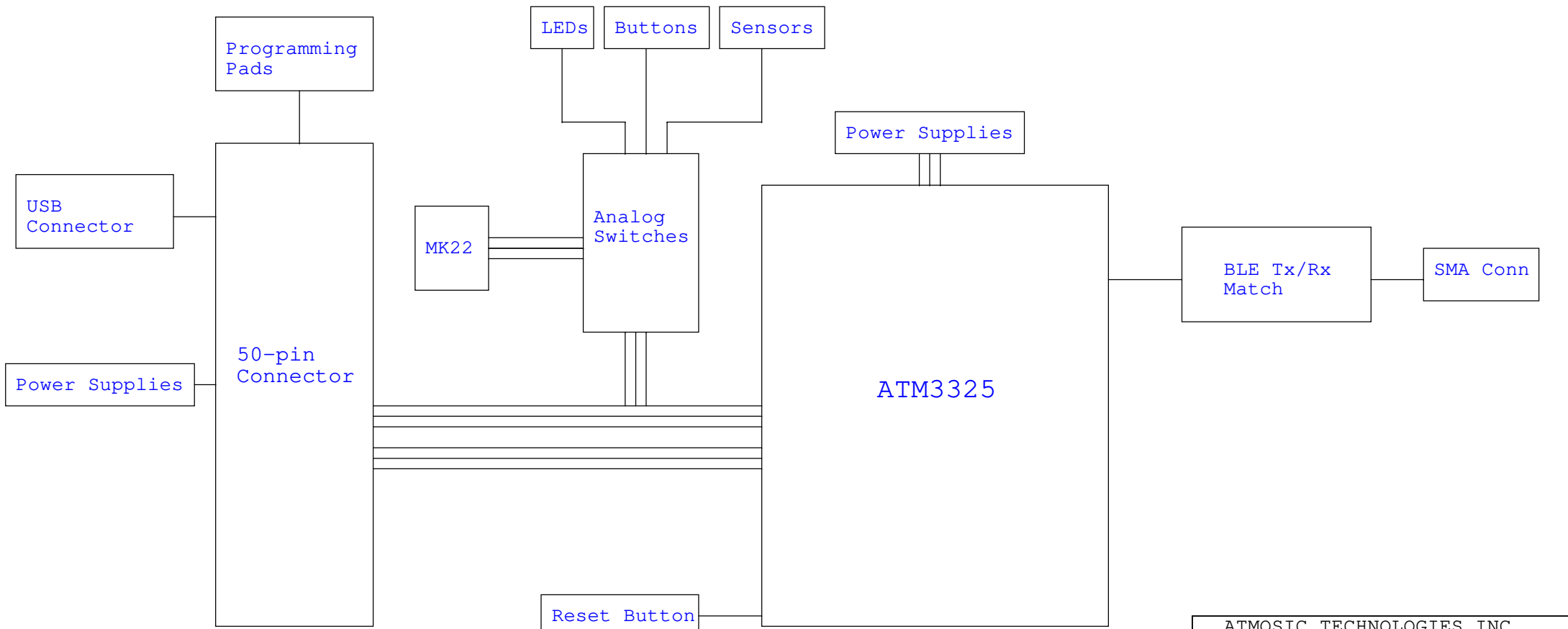
Release Date	Revision	Design Eng.	Design Notes
2/16/23	-3.0	Afan Lin	Initial release
2/16/23	-3.1	Afan Lin	Modified the description for C12

Atmosic Technologies, Inc

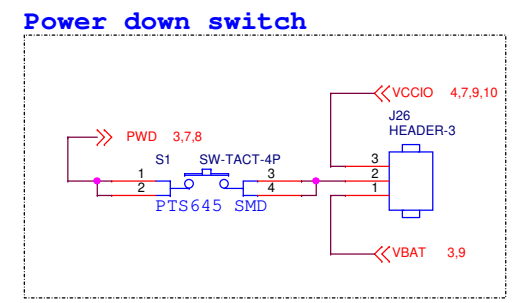
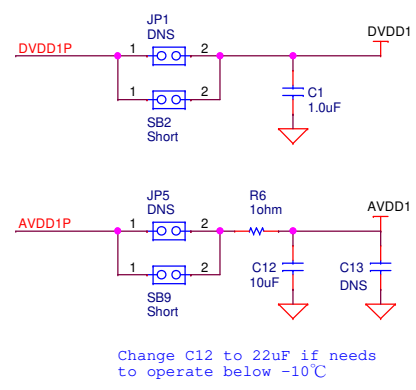
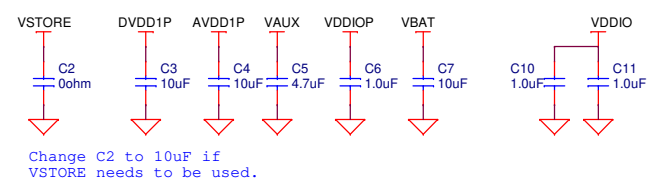
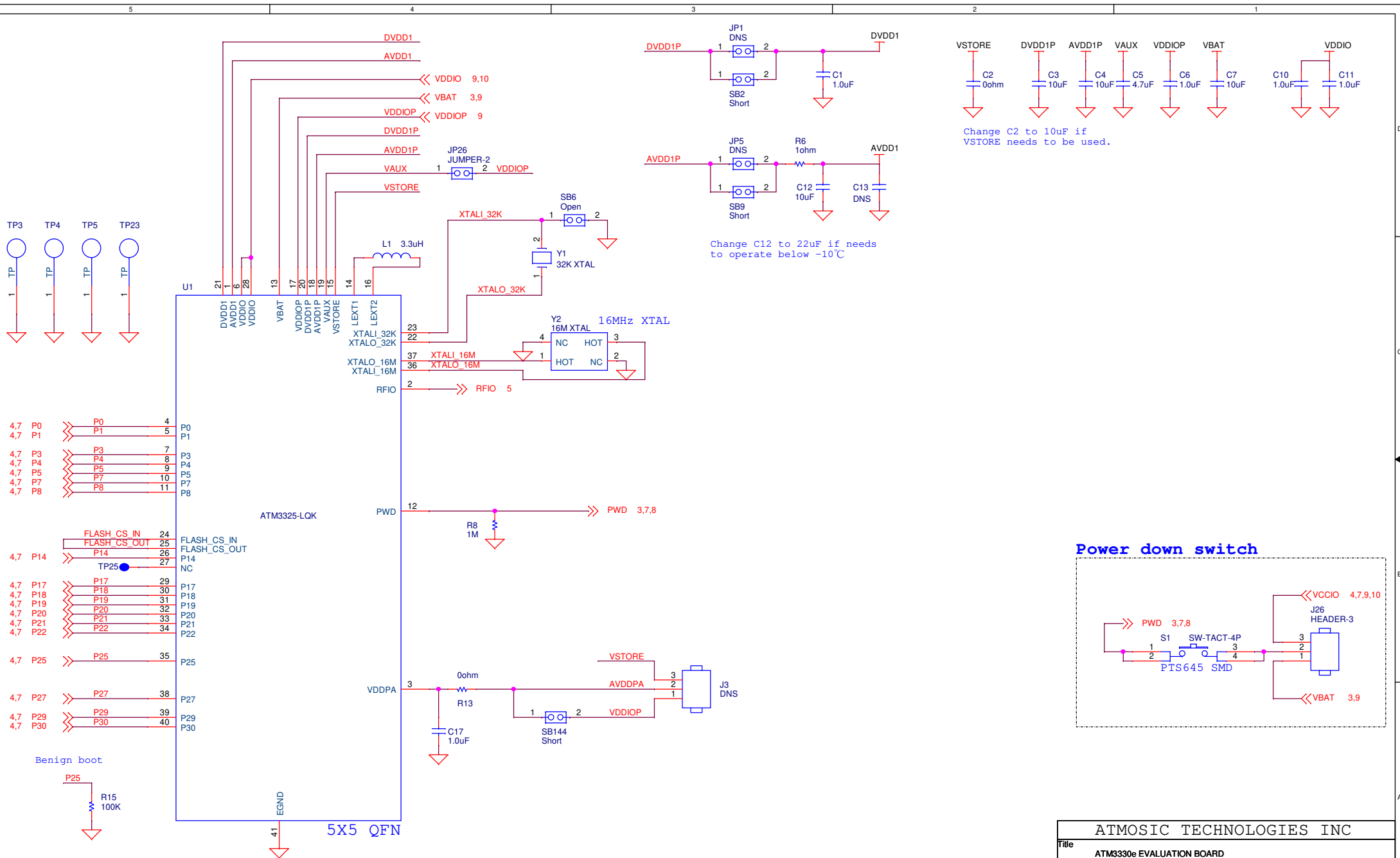
ATMOSIC TECHNOLOGIES INC		
Title	ATM3325 w/ EXTENDED STORAGE EVALUATION BOARD	
Size	Document Number	Rev
B	082-30-610-xxxx	3.1
Date:	Friday, March 31, 2023	Sheet 1 of 10

Atmosic Technologies Proprietary and Confidential

Block Diagram



ATMOSIC TECHNOLOGIES INC			
Title ATM3325 EVALUATION BOARD			
Size B	Document Number 082-30-610-xxxx	Rev 3.1	
Date:	Friday, March 31, 2023	Sheet	2 of 10



GPIO MUX

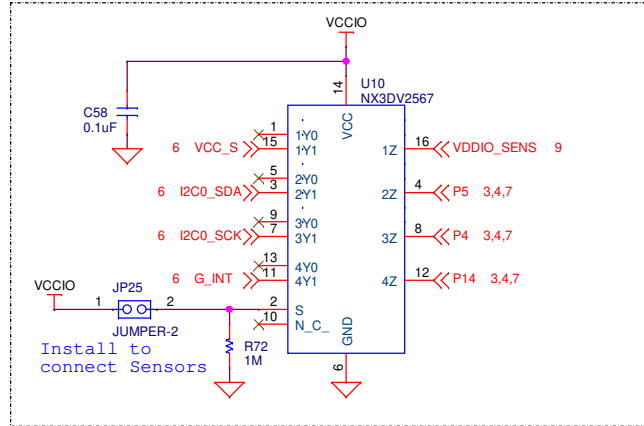
3,7 P0_GPIO >>> P0 3,4,7
 3,7 P1_GPIO >>> P1 3,4,7
 3,7 P3_GPIO >>> P3 3,4,7
 3,7 P4_GPIO >>> P4 3,4,7
 3,7 P5_GPIO >>> P5 3,4,7
 3,7 P7_GPIO >>> P7 3,4,7
 3,7 P8_GPIO >>> P8 3,4,7

3,7 P14_GPIO >>> P14 3,4,7

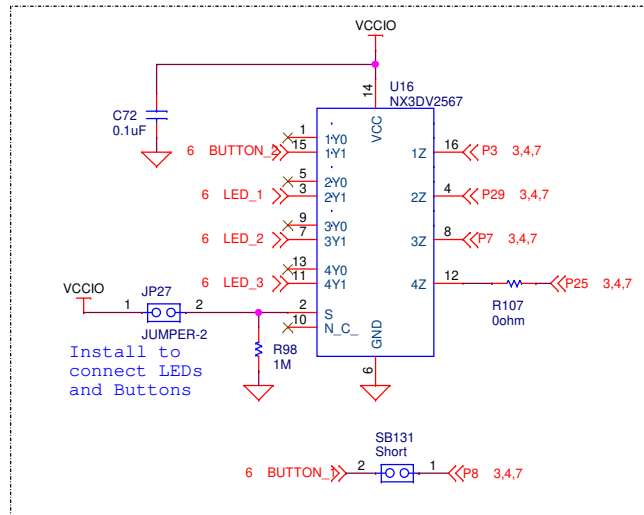
3,7 P17_GPIO >>> P17 3,4,7
 3,7 P18_GPIO >>> P18 3,4,7
 3,7 P19_GPIO >>> P19 3,4,7
 3,7 P20_GPIO >>> P20 3,4,7
 3,7 P21_GPIO >>> P21 3,4,7
 3,7 P22_GPIO >>> P22 3,4,7

3,7 P25_GPIO >>> P25 3,4,7
 3,7 P27_GPIO >>> P27 3,4,7
 3,7 P29_GPIO >>> P29 3,4,7
 3,7 P30_GPIO >>> P30 3,4,7

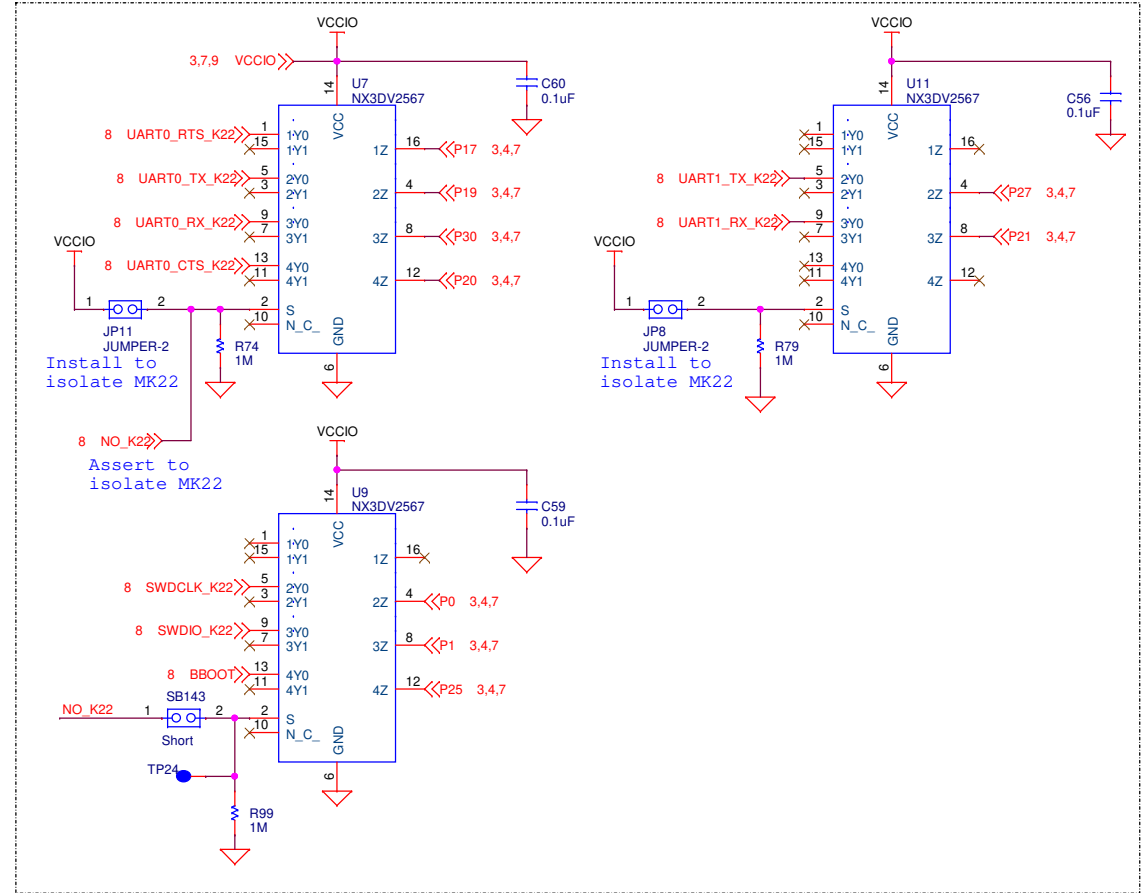
CONNECT SENSORS TO ATM3325

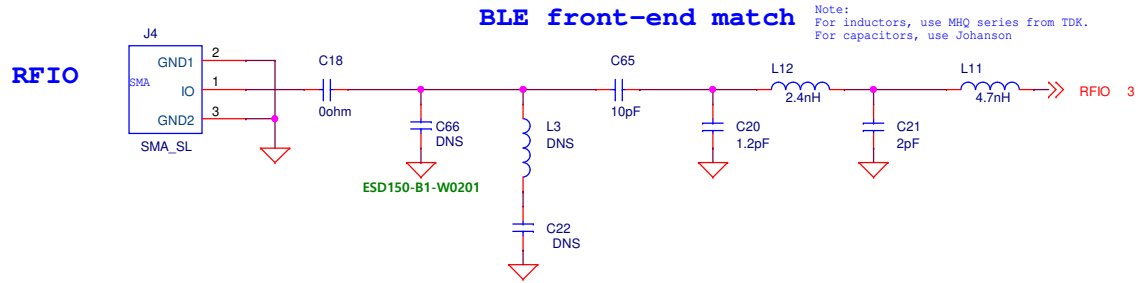


CONNECT LEDS/BUTTONS TO ATM3325



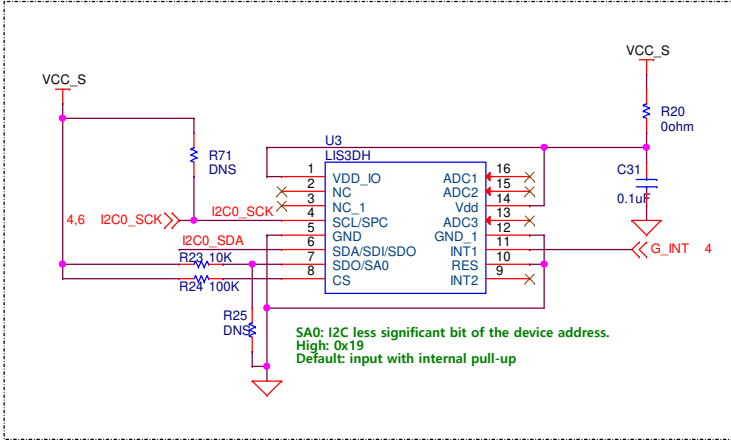
ISOLATE MK22 FROM ATM3325



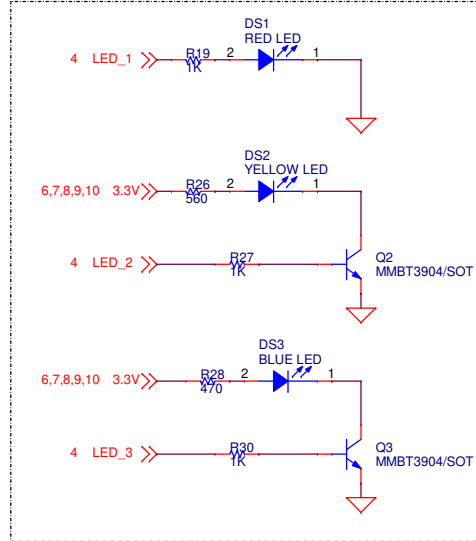


ATMOSIC TECHNOLOGIES INC		
Title ATM3325 EVALUATION BOARD		
Size B	Document Number 082-30-610-xxxx	Rev 3.1
Date: Friday, March 31, 2023	Sheet 5	of 10

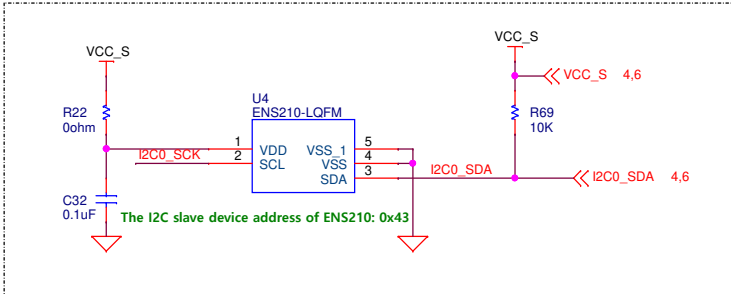
MOTION SENSOR



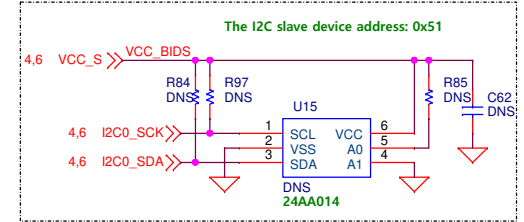
LEDS



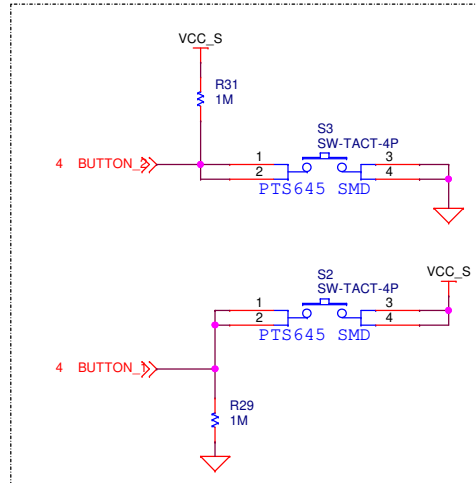
TEMP/HUM SENSOR



BIDS (1Kbits)



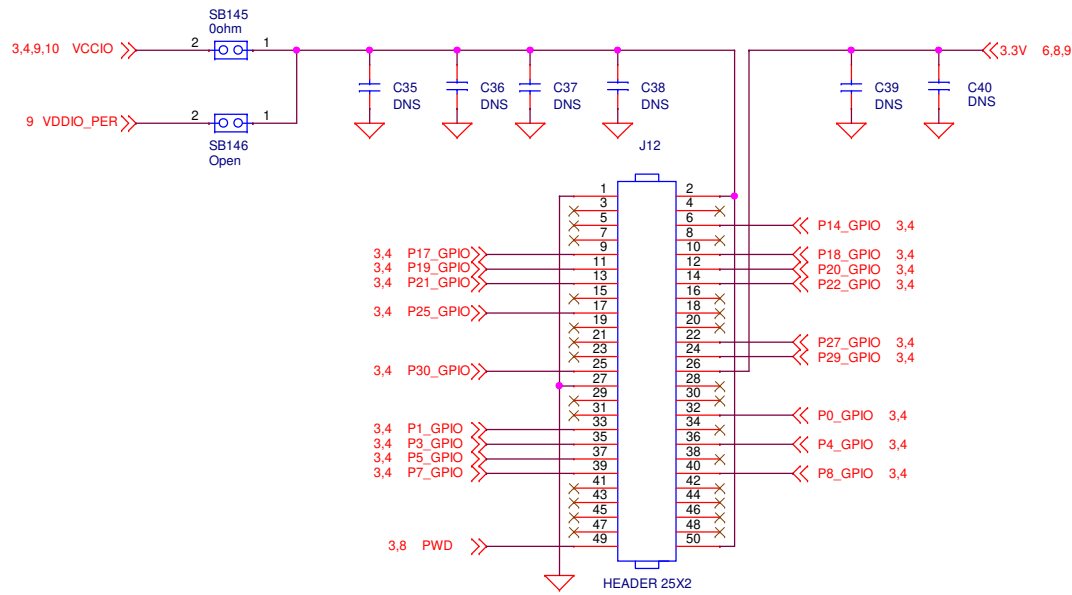
PUSH BUTTONS



ATMOSIC TECHNOLOGIES INC

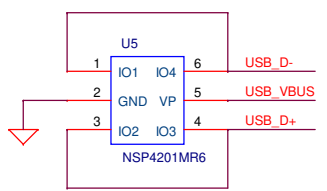
Title		ATM3325 EVALUATION BOARD	
Size	Document Number	Rev	
B	082-30-610-xxxx	3.1	
Date:	Friday, March 31, 2023	Sheet	6 of 10

50-PIN CONNECTOR

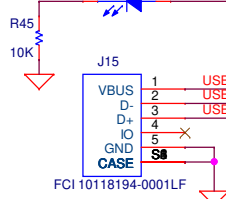


ATMOSIC TECHNOLOGIES INC			
Title ATM3325 EVALUATION BOARD			
Size B	Document Number 082-30-610-xxxx	Rev 3.1	
Date:	Friday, March 31, 2023	Sheet	7 of 10

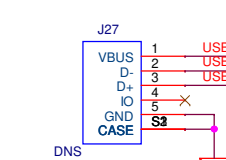
USB ESD



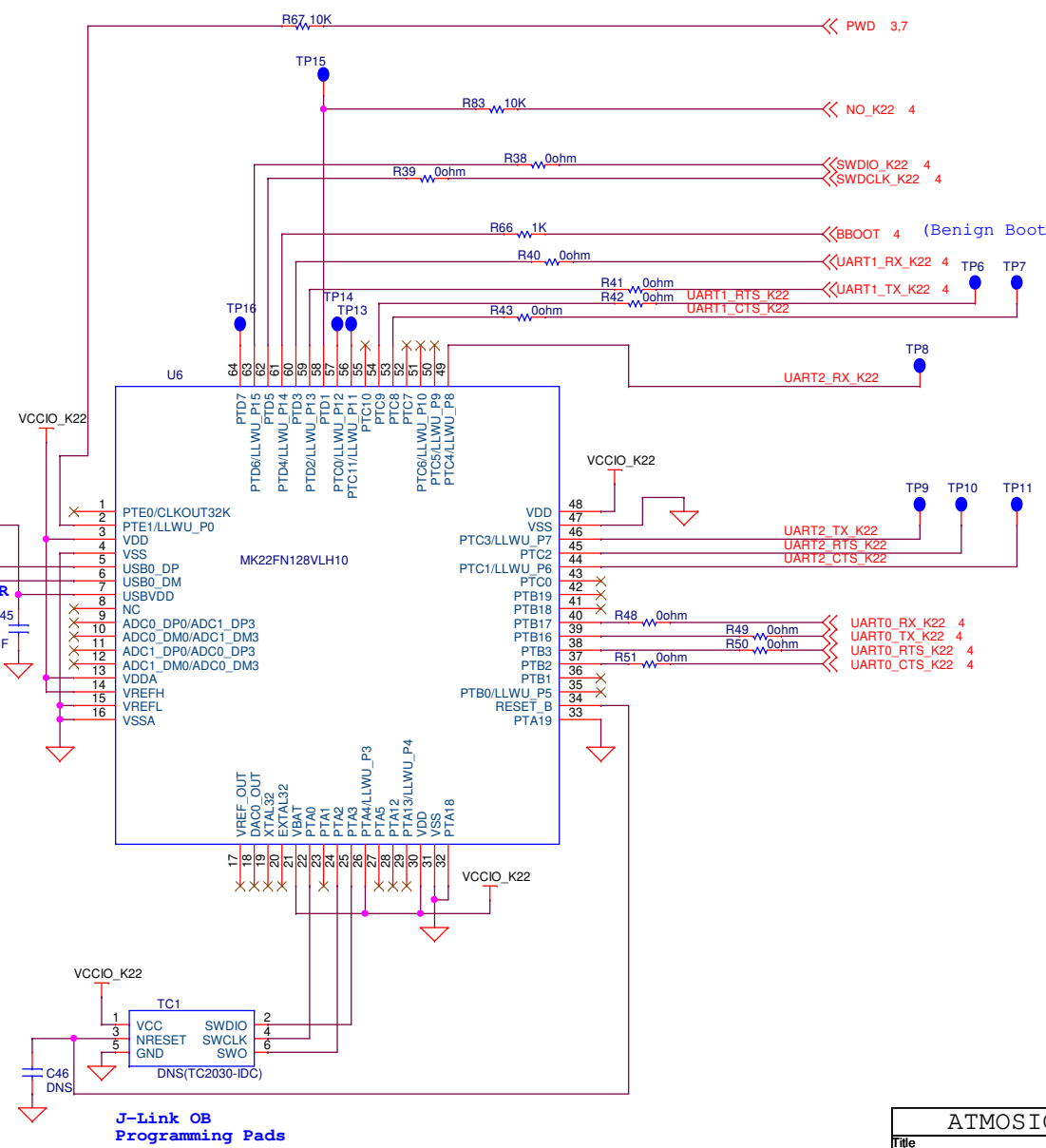
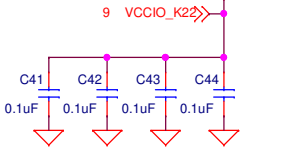
USB



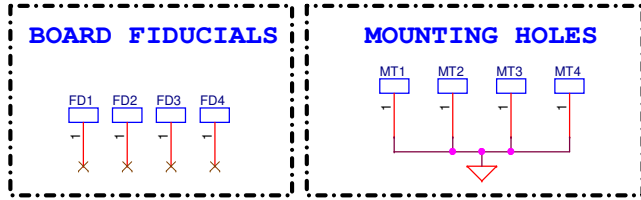
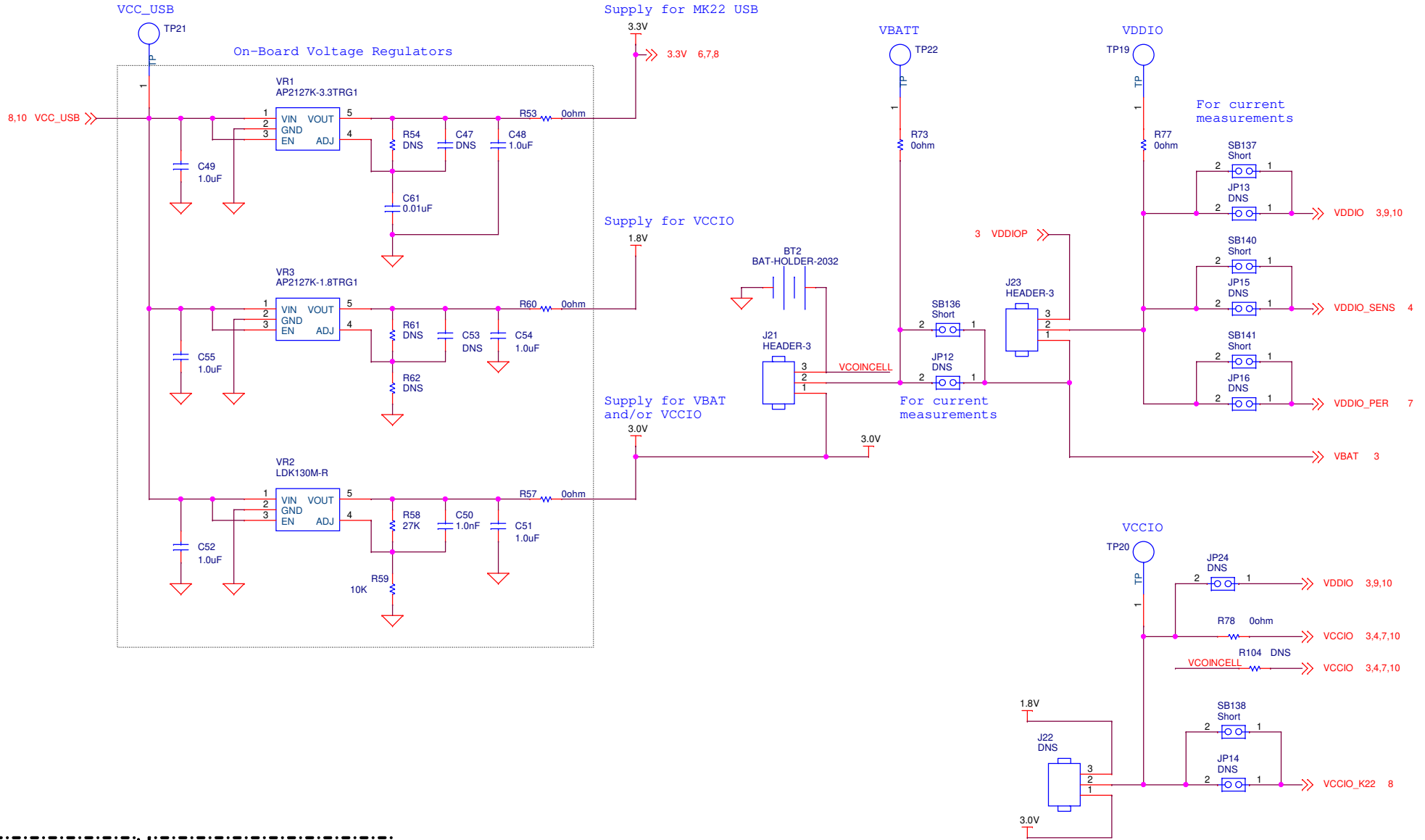
USB OPTION



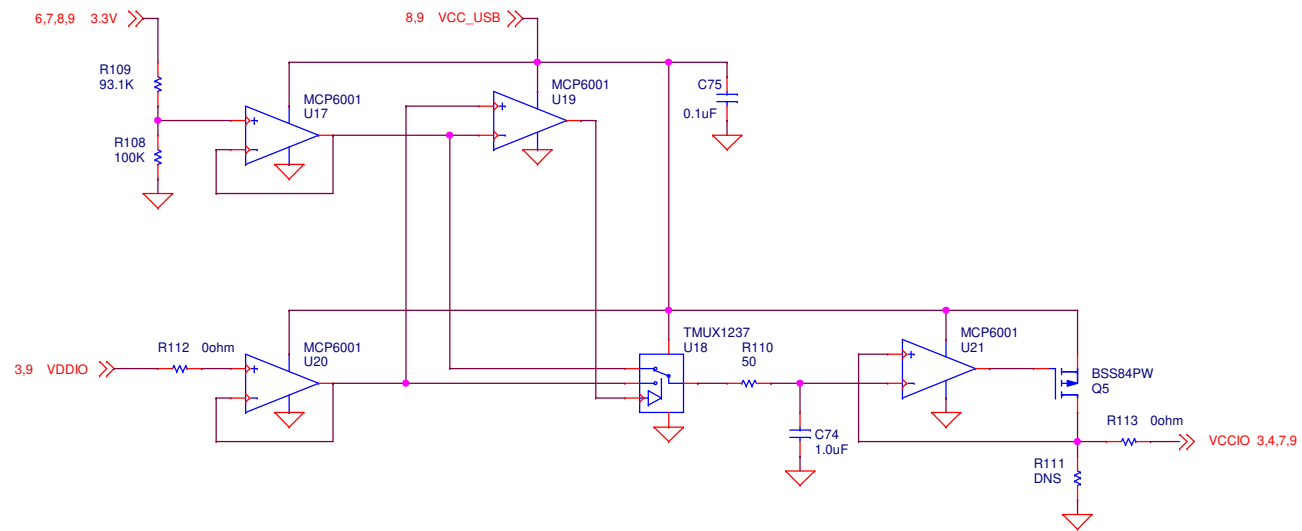
J-Link OB Programming Pads



ATMOSIC TECHNOLOGIES INC		
Title ATM3325 EVALUATION BOARD		
Size B	Document Number 082-30-610-xxxx	Rev 3.1
Date: Friday, March 31, 2023	Sheet 8	of 10



ATMOSIC TECHNOLOGIES INC		
Title ATM3325 EVALUATION BOARD		
Size B	Document Number 082-30-610-xxxx	Rev 3.1
Date: Friday, March 31, 2023	Sheet 9	of 10



ATMOSIC TECHNOLOGIES INC		
Title ATM3325 EVALUATION BOARD		
Size B	Document Number 082-30-610-xxxx	Rev 3.1
Date: Friday, March 31, 2023	Sheet 10	of 10