

Interoperability Test Report

Revision History

Date	Version	Description
September 4, 2020	0.50	Initial version created.
December 2, 2020	0.51	Corrected typos.
April 14, 2021	0.52	Updated format, no content change.

Table of Contents

Overview	3
Purpose of Testing	3
Test Setup	3
Configuration	4
Test Cases	4
Test Results	6
Test Case 1	6
Test Case 2 and 3	7
Test Case 4	15
Test Cases 5 and 6	20

List of Figures

Figure 1 - Test Setup

CONFIDENTIAL

Overview

This document provides Bluetooth Low Energy (Bluetooth LE) interoperability test results between Atmosic ATM2/ATM3 and variety of devices including leading iOS and Android smart phones and a Windows laptop.

The following topics are covered:

- Purpose of testing
- Test setup
- Test cases
- Test results

Purpose of Testing

Purpose of the interoperability testing is to check the performance of the Atmosic EVK against a large diverse range of phones in multiple test scenarios.

Test Setup

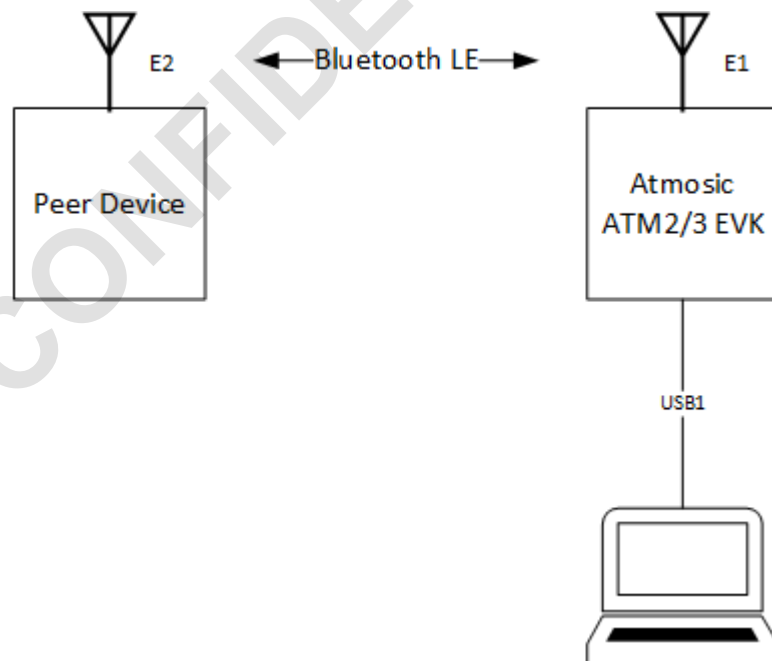


Figure 1 - Test Setup

The test setup as shown in [Figure 1](#) is composed of the following components:

- Atmosic ATM2/3 Evaluation Kit (EVK), which includes an add-on board for keyboard typing (for certain test cases).

- Windows 10 Computer connected to the EVK using a USB cable connected to the USB1 port on the interface board.
- Interop Peer Device, which is a cellular phone or laptop depending on the specific test.

Configuration

The Atmosic EVK is paired with the Atmosic SDK 2.0.0, and the following example applications are used:

- 1) BLE_adv
- 2) HID_keyboard
- 3) TPUTP_server

Test Cases

Test Case	Description	Procedure
TC1	Overnight Connection Stability Test	The EVK acts as a HID keyboard, and periodically types characters a-z, 0-9 to a text editor on the peer device.
		Pass if the peer device and EVK stay connected (small number of disconnections/reconnections allowed), and characters are still typed into the text editor after 12 hours.
TC2	Connection/ disconnection with timing measurements and sleep	The EVK acts as a HID keyboard that periodically disconnects and reconnects. The disconnection and connection times are measured.
		Pass if reconnection time is within 90s, and reconnection is successful.
TC3	Scan Response	The EVK sends advertisements and listens for a scan request. Upon receiving a scan request, it will reply with a scan response.
		Pass if scan response can be seen on the phone.
TC4	HID Keyboard	The EVK acts as a keyboard, and types keys into a text editor on the phone.
		Pass if pairing is successful and typed keys show up in the text editor.
TC5	Throughput Test	Atmosic App is loaded onto the phone, and the EVK acts as a throughput counterpart. Total data transferred is configured to be approximately 250 KB.

		Pass if data transfer finishes.
TC6	Over-the-Air Firmware Update	Atmosic App is loaded onto the phone, and the EVK acts as the target for updated flash programming.
		Pass if the update is successful.

CONFIDENTIAL

Test Results

The tests were conducted by a third party test lab Nextgen Technology LTD. See test results below.

Test Case 1

Manufacturer	Model	Operating System Version	TC1
Apple	iPhone 11 (AT&T)	13.5 (17F75)	Pass
Google	Pixel 4 (Verizon)	10 (QQ3A.200605.001)	Pass
Lenovo	C940 81TE	Windows 10 1909	Pass
LG	Journey LTE L322DL (TracFone)	9 (L322DL12b)	Pass
OnePlus	7T Pro 5G HD1925 (T-Mobile)	10 (10.0.31.HD61CB)	Pass
Samsung	Galaxy S20 5G G981U (AT&T)	10 (QP1A.190711.020.G981USQU1ATCT)	Pass
Xiaomi	Redmi K30	11.0.15 (QGHCN XM)	Pass

Test Case 2 and 3

Manufacturer	Model	Operating System Version	TC2	TC3
Alcatel	1 (2019) 5033D	8.1.0 (01007)	Pass	Pass
Alcatel	Avalon V 5059S (Verizon)	8.1.0 (3D87UE75)	Pass	Pass
Alcatel	Onyx 5008R (Cricket)	8.1.0 (EXZ6UC60)	Pass	Pass
Alcatel	TCL A1 A501DL (TracFone)	8.1.0 (vS53)	Pass	Pass
Alcatel	TCL LX A502DL (Tracfone)	8.1.0 (vG8A)	Pass	Pass
Alcatel	Tetra 5041C (AT&T)	8.1.0 (8M7BUAB0)	Pass	Pass
Apple	iPhone 11	13.6 (17G68)	Pass	Pass
Apple	iPhone 11 Pro Max	13.6 (17G68)	Pass	Pass
Apple	iPhone 5S	12.4.8 (16G201)	Pass	Pass
Apple	iPhone 6	12.4.8 (16G201)	Pass	Pass
Apple	iPhone 6S	13.6 (17G68)	Pass	Pass
Apple	iPhone 7	13.6 (17G68)	Pass	Pass
Apple	iPhone 8	13.6 (17G68)	Pass	Pass
Apple	iPhone X	13.6 (17G68)	Pass	Pass
Apple	iPhone XR	13.6 (17G68)	Pass	Pass
Apple	iPhone XS	13.6 (17G68)	Pass	Pass
Asus	Zenfone Max Pro M1 ZB602KL	9 (PKQ1.-16.2017.2004.063-20200407)	Pass	Pass
Asus	Zenfone Max Pro M2 ZB630KL	9 (PKQ1.WW_Phone-16.2017.2007.094)	Pass	Pass
Google	Pixel 3	10 (QQ2A.200305.002)	Pass	Pass
Google	Pixel 3a	10 (QQ3A.200605.002)	Pass	Pass
Google	Pixel 4	10 (QQ2A.200501.001.B2)	Pass	Pass

Interoperability Test Report



Honor	10 COL-L29	9 (9.1.0.366(C432E5R1P13))	Pass	Pass
Honor	10 Lite HRY-LX1	9 (9.0.1.262(C432E8R1P12))	Pass	Pass
Honor	20 Lite HRY-LX1T	10 (10.0.0.187(C431E5R1P7))	Pass	Pass
Honor	20 YAL-L21	10 (10.0.0.198(C431E9R5P1))	Pass	Pass
Honor	8A JAT-L29	9 (9.1.0.273(C432E5R2P1))	Pass	Pass
Honor	8s KSA-LX9	9 (9.1.0.236(C431E5R1P4))	Pass	Pass
Honor	8X JSN-L21	10 (10.0.0.186(C432E5R1P3))	Pass	Pass
Honor	9N LLD-AL20	9 (9.1.0.149(C675E1R1P4))	Pass	Pass
Honor	View 20 PCT-L29	10 (10.0.0.183(C432E10R2P5))	Pass	Pass
Honor	9X HLK-AL00	10 (10.0.1.132 (C00E132R5P2))	Pass	Pass
Honor	Play 3 ASK-AL00x	9 (9.1.1.183(C00E65R3P6))	Pass	Pass
Honor	V30 OXF-AN00	10 (3.1.0.212(C00E210R3P1))	Pass	Pass
Honor	畅玩8C BKK-AL10	8.1.0 (BKK-AL10 8.2.0.199(C00))	Pass	Pass
Huawei	Mate 20 Lite SNE-LX1	10 (10.0.0.203 (C432E10R1P1patch01))	Pass	Pass
Huawei	Mate 20 Pro LYA-L09	10 (10.0.0.220(C432E7R1P5))	Pass	Pass
Huawei	Mate 20 X EVR-AL00	10 (10.0.0.200(C00E74R1P8))	Pass	Pass
Huawei	Mate 30 Pro LIO-AL00	10 (10.1.0.150(C00E136R5P3patch02))	Pass	Pass
Huawei	Nova 5 Pro SEA-AL10	10 (10.0.0.160(C00E160R1P3))	Pass	Pass
Huawei	Nova 5 SEA-AL00	9 (9.1.1.194(C00E185R1P5))	Pass	Pass
Huawei	Nova 5i Pro SPN-AL00	9 (9.1.1.198(C00E196R3P2))	Pass	Pass
Huawei	Nova 6 SE JNY-AL10	10 (10.0.1.176(C00E175R3P2))	Pass	Pass
Huawei	P Smart (2019) POT-LX1	10 (10.0.0.192(C432E3R1P3))	Pass	Pass
Huawei	P Smart FIG-LX1	9 (9.1.0.206(C782E9R1P5))	Pass	Pass
Huawei	P20 Lite ANE-LX1	9 (9.1.0.325(C782E5R1P7))	Pass	Pass

Interoperability Test Report



Huawei	P30 Lite MAR-LX1A	10 (10.0.0.193(C431E8R2P7))	Pass	Pass
Huawei	P30 Pro VOG-L29	10 (10.0.0.195(C431E19R2P5))	Pass	Pass
Huawei	Y5 (2019) AMN-LX9	9 (9.1.0.247(C431E4R1P4))	Pass	Pass
Huawei	Y6 (2019) MRD-LX1	9 (9.1.0.295(C782E13R1P7))	Pass	Pass
Huawei	Y7 (2019) DUB-LX1	8.1.0 (DUB-LX1 8.2.0.160(C432))	Pass	Pass
Huawei	Y9 (2019) JKM-LX2	9 (9.1.0.233(C636E2R1P1))	Pass	Pass
Huawei	畅享 MAX ARS-AL00	9 (9.1.0.165 (C00E165R1P5))	Pass	Pass
Huawei	畅享10 ART-AL00x	9 (9.1.1.184(C00E65R3P6))	Pass	Pass
Infinix	Hot 8 X650C	9 (X650C-H626DEJ-P-191226V271))	Pass	Pass
Lenovo	Moto E5 Play XT1921-3 (T-Mobile)	8.0.0 (OCPS27.91-150-14-4)	Pass	Pass
Lenovo	Moto E5 Plus XT1924-4	8.0.0 (OPP27.91-179-4)	Pass	Pass
Lenovo	Moto E6 XT2005-1 (Verizon)	9 (PCB29.73-81-7)	Pass	Pass
Lenovo	Moto G6 XT1925-12 (Verizon)	9 (PDS29.118-15-11-9)	Pass	Pass
Lenovo	Moto G6 Play XT1922-2	9 (PPS29.55-35-18-7)	Pass	Pass
Lenovo	Moto G7 Play XT1952-2	10 (QPYS30.52-22-2)	Pass	Pass
Lenovo	Moto G7 Plus XT1965-2	9 (PPWS29.98-111-5)	Pass	Pass
Lenovo	Moto G7 Power XT1955-1	9 (PPOS29.114-134-4)	Pass	Pass
Lenovo	Moto Z4 XT1980-4 (Verizon)	9 (PDFS29.105-74-10)	Pass	Pass
LG	Aristo 2 X210MA (Metro PCS)	8.1.0 (OPM1.171019.026)	Pass	Pass
LG	Aristo 3 X220MA (MetroPCS)	9 (X220MA20c)	Pass	Pass
LG	G7 ThinQ G710EM	9 (V20k-EUR-XX)	Pass	Pass
LG	G8 ThinQ G820UMB (Verizon)	10 (G820UM20b)	Pass	Pass
LG	G8X ThinQ G850UM (AT&T)	9 (G850UM10n)	Pass	Pass

Interoperability Test Report



LG	Journey LTE L322DL (TracFone)	9 (L322DL12a)	Pass	Pass
LG	K30 X410TK (T-Mobile)	8.1.0 (X410TK20k)	Pass	Pass
LG	K40 X420EMW	9 (V20f-EEA-XX)	Pass	Pass
LG	K50S X540EMW	9 (V10g-EEA-XX)	Pass	Pass
LG	Phoenix 4 X210APM (AT&T)	8.1.0 (X210APM20l)	Pass	Pass
LG	Rebel 4 L212VL (TracFone)	8.1.0 (L212VL16e)	Pass	Pass
LG	Stylo 4 Q710CS (Cricket)	8.1.0 (Q710CS11d)	Pass	Pass
LG	Stylo 5 Q720CS (Cricket)	9 (Q720CS10l)	Pass	Pass
LG	Stylo 5+ Q720AM (AT&T)	9 (Q720AM10e)	Pass	Pass
LG	Tribute Dynasty SP200 (Sprint)	7.1.2 (SP2001Ba)	Pass	Pass
LG	Tribute Empire X220PM (Sprint)	8.1.0 (X220PM17a)	Pass	Pass
LG	V40 ThinQ V405EBW	9 (V20f-EUR-XX)	Pass	Pass
LG	V50 ThinQ 5G V450PM (Sprint)	10 (V450P20a)	Pass	Pass
Motorola	Moto E6 Plus XT2025-1	9 (PTAS29.401-36-3)	Pass	Pass
Motorola	Moto G8 Plus XT2019-1	9 (PPIS29.65-51-3)	Pass	Pass
Motorola	One Power XT1942-2	10 (QPTS30.61-18-4)	Pass	Pass
Nokia	1 TA-1060	10 (00WW_3_090)	Pass	Pass
Nokia	2	7.1.1 (00WW_0_680_SP12)	Pass	Pass
Nokia	2.2	10 (00WW_2_300_SP01)	Pass	Pass
Nokia	5	9 (00WW_6_19B_SP02)	Pass	Pass
Nokia	6.1 Plus	9 (00WW_3_54H_SP01)	Pass	Pass
Nokia	7.2	10 (00WW_2_270_SP02)	Pass	Pass
Nokia	9 PureView	10 (00WW_5_13D_SP05)	Pass	Pass

Interoperability Test Report



OnePlus	6T A6013	10.3.2 (ONEPLUS A6013_41_200222)	Pass	Pass
OnePlus	7 Pro GM1911	10.3.0 (Oxygen OS 10.3.0.GM21AA)	Pass	Pass
OnePlus	7T Pro HD1913	10.0.9 (Oxygen OS 10.0.9.HD01BA)	Pass	Pass
OPPO	A1k CPH1923	6.0.1 (CPH1923EX_11_A.29)	Pass	Pass
OPPO	A3s CPH1803	5.2.1 (CPH1803EX_11_A.19)	Pass	Pass
OPPO	A5 (2020) CPH1931	6.0.1 (CPH1931EX_11_A.49)	Pass	Pass
OPPO	A5s CPH1909	5.2.1 (CPH1909EX_11_A.33)	Pass	Pass
OPPO	A7 CPH1901	5.2 (CPH1901EX_11_A.11)	Pass	Pass
OPPO	A9 (2020) CPH1937	6.0.1 (CPH1937EX_11_A.51)	Pass	Pass
OPPO	F11 CPH1911	6.0.1 (CPH1911EX_11_A.45)	Pass	Pass
OPPO	F7 CPH1819	5.2.1 (CPH1819EX_11_A.38)	Pass	Pass
OPPO	F9 CPH1881	5.2.1 (CPH1881EX_11_A.20)	Pass	Pass
OPPO	Reno CPH1917	7 (CPH1917EX_11_C.26)	Pass	Pass
OPPO	Reno Z CPH1979	6.0 (CPH1979EX_11_A.21)	Pass	Pass
OPPO	Reno2 F CPH1989	6.1 (CPH1989EX_11_A.17)	Pass	Pass
OPPO	Reno2 Z CPH1945	6.1 (CPH1945EX_11_A.23)	Pass	Pass
OPPO	A11	6.0.1 (PCHM10_11_A.51_7e1188e7)	Pass	Pass
OPPO	A11x	6.0.1 (PCHM30_11_A.51_7e1188e7)	Pass	Pass
OPPO	A5	5.2.1 (PBAM00_11_A.28_8142b5bb)	Pass	Pass
OPPO	A7X	6.0 (PBBM00_11_C.15_6fecda99)	Pass	Pass
OPPO	A83	5.2.1 (A83_11_A.37_200307)	Pass	Pass
OPPO	A9	6.0 (PCAM10_11_A.19_10d3a3db)	Pass	Pass
OPPO	A9x	6.0 (PCEM00_11_A.19_10d3a3db)	Pass	Pass
OPPO	K1	6.0.1 (PBCM30_11_C.62_f9580186)	Pass	Pass
OPPO	K3	6.0 (PCGM00_11_A.06_cdae3041)	Pass	Pass

OPPO	K5	6.1 (PCNM00_11_A.20_6263c307)	Pass	Pass
OPPO	R15x	6.0.1 (PBCM10_11_C.62_f9580186)	Pass	Pass
OPPO	R17	7 (PBEM00_11_F.12_223ccab5)	Pass	Pass
OPPO	Reno Ace	7 (PCLM10_11_C.24_c9be65dd)	Pass	Pass
OPPO	Reno2	7 (PCKM00_11_C.13_cfdb7836)	Pass	Pass
OPPO	Reno3	7.1 (PDCM00_11_A.17_42c60c6e)	Pass	Pass
Pocophone	F1	11.0.8.0 (QEJMIXM)	Pass	Pass
RealMe	2 Pro RMX1801	6.0 (RMX1801EX_11_C.31)	Pass	Pass
RealMe	2 RMX1805	6.0 (RMX1805EX_11_A.68)	Pass	Pass
RealMe	3 Pro RMX1851	7 (RMX1851_11_C.05)	Pass	Pass
RealMe	3 RMX1825	6.0 (RMX1825EX_11_A.28)	Pass	Pass
RealMe	3i RMX1827	6.0 (RMX1827EX_11_A.28)	Pass	Pass
RealMe	5 Pro RMX1971	7 (RMX1971_11_C.04)	Pass	Pass
RealMe	5 RMX1911	6.0.1 (RMX1911EX_11_A.29)	Pass	Pass
RealMe	C1 RMX1811	6.0 (RMX1811EX_11_A.68)	Pass	Pass
RealMe	C2 RMX1945	6.0 (RMX1945EX_11_A.25)	Pass	Pass
RealMe	U1 RMX1831	6.0 (RMX1831EX_11.C.19)	Pass	Pass
RealMe	X RMX1901	10 (RMX1901_11_C.11_0e109e45)	Pass	Pass
RealMe	X2 Pro RMX1931	10 (RMX1931EX_11_C.27)	Pass	Pass
RealMe	X2 RMX1992	6.1 (RMX1992EX_11_A.19)	Pass	Pass
RealMe	XT RMX1921	7 (RMX1921_11_C.01)	Pass	Pass
Samsung	Galaxy A10 A105F/DS	9 (PPR1.180610.011.A105FDDU3ASK1)	Pass	Pass
Samsung	Galaxy A10e A102U (AT&T)	9 (PPR1.180610.011.A102USQU5ATB2)	Pass	Pass
Samsung	Galaxy A10s A107F/DS	10 (QP1A.190711.020.A107FXXU6BTF1)	Pass	Pass
Samsung	Galaxy A20 A205G/DS	10 (QP1A.190711.020.A205GUBU5BTD2)	Pass	Pass

Samsung	Galaxy A20e A202F/DS	10 (QP1A.190711.020.A202FXXU3BTD1)	Pass	Pass
Samsung	Galaxy A20s A207F/DS	10 (QP1A.190711.020.A207FXXU2BTE1)	Pass	Pass
Samsung	Galaxy A30 A305F/DS	10 (QP1A.190711.020.A305FDDU4BTB3)	Pass	Pass
Samsung	Galaxy A30s A307FN/DS	10 (QP1A.190711.020.A307FNXXS2BTE3)	Pass	Pass
Samsung	Galaxy A40 A405FN/DS	10 (QP1A.190711.020.A405FNXXU3BTD4)	Pass	Pass
Samsung	Galaxy A40s A3050	10 (QP1A.190711.020.A3050ZCU2BTF1)	Pass	Pass
Samsung	Galaxy A50 A505F/DS	10 (QP1A.190711.020.A505FDDU5BTF1)	Pass	Pass
Samsung	Galaxy A50s A507FN/DS	10 (QP1A.190711.020.A507FNXXU4BTF7)	Pass	Pass
Samsung	Galaxy A6 A600FN/DS	9 (PPR1.180610.011.A600FNXXU4BSH2)	Pass	Pass
Samsung	Galaxy A7 (2018) A750FN/DS	9 (PPR1.180610.011.A750FNXXS4BTA6)	Pass	Pass
Samsung	Galaxy A70 A705GM/DS	10 (QP1A.190711.020.A705GMDDU5BTF1)	Pass	Pass
Samsung	Galaxy A70s A707F/DS	10 (QP1A.190711.020.A707FDDU2BTC2)	Pass	Pass
Samsung	Galaxy A8 (2018) A530F/DS	7.1.1 (NMF26X.A530FXXU1AQL2)	Pass	Pass
Samsung	Galaxy A8+ (2018) A730F/DS	9 (PPR1.180610.011.A730FXXU7CSK1)	Pass	Pass
Samsung	Galaxy A80 A805F/DS	10 (QP1A.190711.020.A805FXXU4BTC3)	Pass	Pass
Samsung	Galaxy A9 (2018) A920F/DS	9 (PPR1.180610.011.A920FXXU2BSK3)	Pass	Pass
Samsung	Galaxy A90 5G A908B	10 (QP1A.190711.020.A908BXXU3BTE3)	Pass	Pass
Samsung	Galaxy J2 Pure J260AZ (Cricket)	9 (PPR1.180610.011.J260AZTUS5BSK1)	Pass	Pass
Samsung	Galaxy J3 (2017) J330F/DS	9 (PPR1.180610.011.J330FXXU3CSG7)	Pass	Pass
Samsung	Galaxy J6 J600FN/DS	9 (PPR1.180610.011.J600FNXXU6BSK2)	Pass	Pass
Samsung	Galaxy J6+ J610FN/DS	9 (PPR1.180610.011.J610FNXXS5BTE6)	Pass	Pass
Samsung	Galaxy J7 Crown S767VL (TracFone)	9 (PPR1.180610.011.S767VLUDS5BSK1)	Pass	Pass
Samsung	Galaxy J8 J810G/DS	10 (QP1A.190711.020.J810GDDU3CTG3)	Pass	Pass
Samsung	Galaxy M10 M105F/DS	9 (PPR1.180610.011.M105FDDS3BTB4)	Pass	Pass

Samsung	Galaxy M20 M205F/DS	10 (QP1A.190711.020.M205FDDU4CTC1)	Pass	Pass
Samsung	Galaxy M30 M305F/DS	10 (QP1A.190711.020.M305FDDU3CSL5)	Pass	Pass
Samsung	Galaxy M30s M307F/DS	10 (QP1A.190711.020.M307FXXU3BTG1)	Pass	Pass
Samsung	Galaxy Note 9 N960F/DS	10 (QP1A.190711.020.N960FXXS6ETG1)	Pass	Pass
Samsung	Galaxy Note 10 N970F/DS	10 (QP1A.190711.020.N970FXXS4CTD1)	Pass	Pass
Samsung	Galaxy Note 10+ N975U (AT&T)	10 (QP1A.190711.020.N975USQU2BTA1)	Pass	Pass
Samsung	Galaxy S7 G930F	8.0.0 (R16NW.G930FXXS8ETC1)	Pass	Pass
Samsung	Galaxy S8 G950F	9 (PPR1.180610.011.G950FXXS9DTEA)	Pass	Pass
Samsung	Galaxy S9 G960F	10 (QP1A.190711.020.G960FXXS9DTD7)	Pass	Pass
Samsung	Galaxy S9+ G9650	10 (QP1A190711.020.G9650ZCS6DTD5)	Pass	Pass
Samsung	Galaxy S10 G973F/DS	10 (QP1A.190711.020.G973FXXU7CTF1)	Pass	Pass
Samsung	Galaxy S10e G970F/DS	10 (QP1A.190711.020.G970FXXU7CTF1)	Pass	Pass
Samsung	Galaxy S10+ G9750	10 (QP1A.190711.020.G9750ZCU3CTE9)	Pass	Pass
Sony	Xperia 1 J8110	10 (55.1.A.3.107)	Pass	Pass
Sony	Xperia 5 J8210	10 (55.1.A.9.21)	Pass	Pass
Sony	Xperia 10 I3113	10 (53.1.A.3.34)	Pass	Pass
Sony	Xperia 10 Plus I3213	9 (53.0.A.14.47)	Pass	Pass
Sony	Xperia L3 I3312	8.1.0 (54.0.A.6.35)	Pass	Pass
Vivo	U1 V1818A	9 (PD1818G_A_5.8.5)	Pass	Pass
Vivo	Y93s V1818CA	9 (PD1818C_A_5.8.6)	Pass	Pass
Vivo	Y97 V1813A	9 (PD1813_A_5.12.0)	Pass	Pass
Xiaomi	CC9 Pro	11.1.2.0 (QFDCNXM)	Pass	Pass
Xiaomi	Mi A2	10 (QKQ1.190910.002V11.0.11.0.QDIMI)	Pass	Pass
Xiaomi	Mi A2 Lite	9 (PKQ1.180917.001.V10.0.12.0)	Pass	Pass

Xiaomi	Mi A3	10 (QKQ1.190910.002.V11.0.2.0.QFQEU)	Pass	Pass
Xiaomi	Mi 9	11.0.9 (11.0.9.0(QFACNXM))	Pass	Pass
Xiaomi	Mi 9 Lite	11.0.1.0 (QFCMIXM)	Pass	Pass
Xiaomi	Mi 9 Pro 5G	11.0.6 (11.0.6.0(QFXCNXM))	Pass	Pass
Xiaomi	Mi 9 SE	11.0.3.0 (11.0.3.0(PFBCNXM))	Pass	Pass
Xiaomi	Mi 9T	11.0.5.0 (QFJEUXM)	Pass	Pass
Xiaomi	Redmi 6	11.0.4.0(PCGMIXM)	Pass	Pass
Xiaomi	Redmi 6A	11.0.8.0 (PCBMIXM)	Pass	Pass
Xiaomi	Redmi 7	11.0.6.0 (PFLEUXM)	Pass	Pass
Xiaomi	Redmi 8	11.0.11.0 (PCNCNXM)	Pass	Pass
Xiaomi	Redmi 8A	11.0.10.0 (PCPCNXM)	Pass	Pass
Xiaomi	Redmi Go	8.1.0 (OPM1.171019.026.V10.2.10.0)	Pass	Pass
Xiaomi	Redmi K30	11.0.15 (11.0.15.0(QGHCNXM))	Pass	Pass
Xiaomi	Redmi Note 6 Pro	11.0.4.0 (PEKMIXM)	Pass	Pass
Xiaomi	Redmi Note 7	11.0.8.0 (PFGEUXM)	Pass	Pass
Xiaomi	Redmi Note 7 Pro	11.0.9.0 (PFHINXM)	Pass	Pass
Xiaomi	Redmi Note 8	11.0.6.0 (PCOCNXM)	Pass	Pass
Xiaomi	Redmi Note 8 Pro	11.0.3.0 (PGGCNXM)	Pass	Pass
Xiaomi	Redmi Y3	11.0.9.0 (PFFINXM)	Pass	Pass
Xiaomi	小米8	11.0.8.0 (QEACNXM)	Pass	Pass

Test Case 4

Manufacturer	Model	Operating System Version	TC4
Alcatel	TCL LX A502DL (Tracfone)	8.1.0 (vG8A)	Pass

Interoperability Test Report



Apple	iPhone 6S	13.6 (17G68)	Pass
Apple	iPhone 7	13.6 (17G68)	Pass
Apple	iPhone 8	13.6 (17G68)	Pass
Apple	iPhone 11	13.6 (17G68)	Pass
Apple	iPhone 11 Pro Max	13.6 (17G68)	Pass
Apple	iPhone XR	13.6 (17G68)	Pass
Apple	iPhone XS	13.6 (17G68)	Pass
Google	Pixel 3	10 (QQ2A.200305.002)	Pass
Google	Pixel 4	10 (QQ2A.200501.001.B2)	Pass
Honor	8X JSN-L21	10 (10.0.0.186(C432E5R1P3))	Pass
Honor	9X HLK-AL00	10 (10.0.1.132(C00E132R5P2))	Pass
Honor	10 Lite HRY-LX1	9 (9.0.1.262(C432E8R1P12))	Pass
Honor	20 YAL-L21	10 (10.0.0.198(C431E9R5P1))	Pass
Honor	V30 OXF-AN00	10 (3.1.0.212(C00E210R3P1))	Pass
Huawei	Mate 20 Lite SNE-LX1	10 (10.0.0.203 (C432E10R1P1patch01))	Pass
Huawei	Mate 20 Pro LYA-L09	10 (10.0.0.220(C432E7R1P5))	Pass
Huawei	Mate 30 Pro LIO-AL00	10 (10.1.0.150(C00E136R5P3patch02))	Pass
Huawei	Nova 4 VCE-AL00	10 (10.0.0.160(C00E32R1P4))	Pass
Huawei	Nova 5 Pro SEA-AL10	10 (10.0.0.160(C00E160R1P3))	Pass
Huawei	Nova 5i GLK-AL00	10 (10.0.0.122(C00E110R1P2))	Pass
Huawei	Nova 6 SE JNY-AL10	10 (10.0.1.176(C00E175R3P2))	Pass
Huawei	P Smart (2019) POT-LX1	10 (10.0.0.192(C432E3R1P3))	Pass
Huawei	P20 Lite ANE-LX1	9 (9.1.0.325(C782E5R1P7))	Pass
Huawei	P30 Lite MAR-LX1A	10 (10.0.0.193(C431E8R2P7))	Pass
Huawei	P30 Pro VOG-L29	10 (10.0.0.195(C431E19R2P5))	Pass

Interoperability Test Report



Huawei	Y5 (2019) AMN-LX9	9 (9.1.0.247(C431E4R1P4))	Pass
Huawei	Y6 (2019) MRD-LX1	9 (9.1.0.295(C782E13R1P7))	Pass
Huawei	Y9 (2019) JKM-LX2	9 (9.1.0.233(C636E2R1P1))	Pass
Lenovo	Moto E5 Plus XT1924-4	8.0.0 (OPP27.91-179-4)	Pass
Lenovo	Moto G6 XT1925-12 (Verizon)	9 (PDS29.118-15-11-9)	Pass
Lenovo	Moto G7 Power XT1955-1	9 (PPOS29.114-134-4)	Pass
LG	Aristo 2 X210MA (Metro PCS)	8.1.0 (OPM1.171019.026)	Pass
LG	Aristo 3 X220MA (MetroPCS)	9 (X220MA20c)	Pass
LG	G7 ThinQ G710EM	9 (V20k-EUR-XX)	Pass
LG	G8 ThinQ G820UMB (Verizon)	10 (G820UM20b)	Pass
LG	G8X ThinQ G850UM (AT&T)	9 (G850UM10o)	Pass
LG	K30 X410TK (T-Mobile)	8.1.0 (X410TK20k)	Pass
LG	Rebel 4 L212VL (TracFone)	8.1.0 (L212VL16e)	Pass
LG	Stylo 4 Q710CS (Cricket)	8.1.0 (Q710CS11d)	Pass
LG	Stylo 5 Q720CS (Cricket)	9 (Q720CS10n)	Pass
LG	Tribute Empire X220PM (Sprint)	8.1.0 (X220PM18a)	Pass
LG	V40 ThinQ V405EBW	9 (V20f-EUR-XX)	Pass
Motorola	Moto G8 Plus XT2019-1	9 (PPIS29.65-51-3)	Pass
Nokia	7.2	10 (00WW_2_270_SP02)	Pass
OnePlus	7T Pro HD1913	10.0.9 (Oxygen OS 10.0.9.HD01BA)	Pass
OPPO	A5 (2020) CPH1931	6.0.1 (CPH1931EX_11_A.49)	Pass
OPPO	A7X	6.0 (PBBM00_11_C.15_6fecda99)	Pass
OPPO	A9x	6.0 (PCEM00_11_A.19_10d3a3db)	Pass
OPPO	R15x	6.0.1 (PBCM10_11_C.62_f9580186)	Pass

Interoperability Test Report



OPPO	R17	7 (PBEM00_11_F.12_223ccab5)	Pass
OPPO	Reno CPH1917	7 (CPH1917EX_11_C.26)	Pass
OPPO	Reno 3	7.1 (PDCM00_11_A.17_42c60c6e)	Pass
RealMe	X2 Pro RMX1931	10 (RMX1931EX_11_C.27)	Pass
Samsung	Galaxy A10 A105F/DS	9 (PPR1.180610.011.A105FDDU3ASK1)	Pass
Samsung	Galaxy A20 A205G/DS	10 (QP1A.190711.020.A205GUBU5BTD2)	Pass
Samsung	Galaxy A30 A305F/DS	10 (QP1A.190711.020.A305FDDU4BTB3)	Pass
Samsung	Galaxy A40 A405FN/DS	10 (QP1A.190711.020.A405FNXXU3BTD4)	Pass
Samsung	Galaxy A50 A505F/DS	10 (QP1A.190711.020.A505FDDU5BTF1)	Pass
Samsung	Galaxy A6 A600FN/DS	9 (PPR1.180610.011.A600FNXXU4BSH2)	Pass
Samsung	Galaxy A7 (2018) A750FN/DS	9 (PPR1.180610.011.A750FNXXS4BTA6)	Pass
Samsung	Galaxy A70 A705GM/DS	10 (QP1A.190711.020.A705GMDDU5BTF1)	Pass
Samsung	Galaxy A80 A805F/DS	10 (QP1A.190711.020.A805FXXU4BTC3)	Pass
Samsung	Galaxy A90 5G A908B	10 (QP1A.190711.020.A908BXXU3BTE3)	Pass
Samsung	Galaxy J6 J600FN/DS	9 (PPR1.180610.011.J600FNXXU6BSK2)	Pass
Samsung	Galaxy J6+ J610FN/DS	9 (PPR1.180610.011.J610FNXXS5BTE6)	Pass
Samsung	Galaxy Note 10 N970F/DS	10 (QP1A.190711.020.N970FXXS4CTD1)	Pass
Samsung	Galaxy Note 9 N960F/DS	10 (QP1A.190711.020.N960FXXS6ETG1)	Pass
Samsung	Galaxy Note 10+ N975U (AT&T)	10 (QP1A.190711.020.N975USQU3CTCA)	Pass
Samsung	Galaxy S8 G950F	9 (PPR1.180610.011.G950FXXS9DTEA)	Pass
Samsung	Galaxy S9 G960F	10 (QP1A.190711.020.G960FXXS9DTD7)	Pass
Samsung	Galaxy S9+ G9650	10 (QP1A190711.020.G9650ZCS6DTD5)	Pass
Samsung	Galaxy S10 G973F/DS	10 (QP1A.190711.020.G973FXXU7CTF1)	Pass
Samsung	Galaxy S10e G970F/DS	10 (QP1A.190711.020.G970FXXU7CTF1)	Pass

Samsung	Galaxy S10+ G9750	10 (QP1A.190711.020.G9750ZCU3CTE9)	Pass
Sony	Xperia 1 J8110	10 (55.1.A.3.107)	Pass
Sony	Xperia 10 Plus I3213	9 (53.0.A.14.47)	Pass
Vivo	S1 1907	9 (PD1913F_EX_A_1.9.5)	Pass
Vivo	U20 1921	9.2 (PD1941F_EX_A_1.5.13)	Pass
Vivo	V17 1919	10 (PD1948F_EX_A_6.10.4)	Pass
Vivo	Y19 1915	9.2 (PD1934F_EX_A_1.9.29)	Pass
Vivo	Z1 Pro 1951	9 (PD1911F_EX_A_1.6.10)	Pass
Vivo	Nex 3 V1923A	10 (PD1923_A_6.12.3)	Pass
Vivo	S5 V1932A	9.2 (PD1932_A_1.10.9)	Pass
Vivo	X27 V1838A	10 (PD1838_A_6.18.4)	Pass
Vivo	X30 V1938CT	10 (PD1938C_A_1.19.3)	Pass
Vivo	Y93s V1818CA	9 (PD1818C_A_5.8.6)	Pass
Vivo	Y9s V1945A	9.2 (PD1945_A_1.10.7)	Pass
Xiaomi	CC9 Pro	11.1.2.0 (QFDCNXM)	Pass
Xiaomi	Mi A3	10 (QKQ1.190910.002.V11.0.2.0.QFQEU)	Pass
Xiaomi	Mi 9	11.0.9 (QFACNXM)	Pass
Xiaomi	Redmi 7	11.0.6.0 (PFLEUXM)	Pass
Xiaomi	Redmi Note 7	11.0.8.0 (PFGEUXM)	Pass
Xiaomi	Redmi Note 8	11.0.6.0 (PCOCNXM)	Pass
Xiaomi	Redmi Note 8 Pro	11.0.3.0 (PGGCNXM)	Pass
Xiaomi	Redmi K30	11.0.15 (QGHCNXM)	Pass

Test Cases 5 and 6

Manufacturer	Model	Operating System Version	TC5	TC6
Alcatel	7 6062W (MetroPCS)	8.1.0 (A9MUPM1)	Pass	Pass
Alcatel	Avalon V 5059S (Verizon)	8.1.0 (3D8EUEE1)	Pass	Pass
Alcatel	TCL A1 A501DL (TracFone)	8.1.0 (vS53)	Pass	Pass
Apple	iPhone 5S	12.4.7 (16G192)	Pass	Pass
Apple	iPhone 6	12.4.5 (16G161)	Pass	Pass
Apple	iPhone 6 Plus	12.4.8 (16G201)	Pass	Pass
Apple	iPhone 6S	13.5.1 (17F80)	Pass	Pass
Apple	iPhone 6S Plus	13.5.1 (17F80)	Pass	Pass
Apple	iPhone 7	13.5.1 (17F80)	Pass	Pass
Apple	iPhone 7 Plus	13.5.1 (17F80)	Pass	Pass
Apple	iPhone 8	13.5.1 (17F80)	Pass	Pass
Apple	iPhone 8 Plus	13.5.1 (17F80)	Pass	Pass
Apple	iPhone 11	13.5.1 (17F80)	Pass	Pass
Apple	iPhone 11 Pro	13.5.1 (17F80)	Pass	Pass
Apple	iPhone 11 Pro Max	13.5.1 (17F80)	Pass	Pass
Apple	iPhone SE	13.5.1 (17F80)	Pass	Pass
Apple	iPhone X	13.5.1 (17F80)	Pass	Pass
Apple	iPhone XR	13.5.1 (17F80)	Pass	Pass
Apple	iPhone XS	13.5.1 (17F80)	Pass	Pass
Apple	iPhone XS Max	13.5.1 (17F80)	Pass	Pass
Asus	Zenfone 4 Max ZC520KL	8.1.0 (OPM1.171019.011-15.2016.1809)	Pass	Pass
Asus	Zenfone Lite L1 ZA551KL	8.0.0 (WW_Phone-15.07.2007.57)	Pass	Pass
Asus	Zenfone Max M2 ZB632KL	9 (OPM1.WW_Phone-16.2018.2005.64)	Pass	Pass

Interoperability Test Report



Asus	Zenfone Max Pro M1 ZB602KL	9 (PKQ1.-16.2017.2004.063-20200407)	Pass	Pass
Asus	Zenfone Max Pro M2 ZB630KL	9 (PKQ1.WW_Phone-16.2017.2007.094)	Pass	Pass
BlackBerry	KEYone	8.1.0 (ABT975)	Pass	Pass
BlackBerry	Motion	8.1.0 (ABX972)	Pass	Pass
China Mobile	N5 Pro M860	8.1.0 (CMCC-M860_01.33.00RPD_CN.00)	Pass	Pass
CoolPad	Legacy cp3705A (MetroPCS)	9 (3705A.MPCS.200430.1D)	Pass	Pass
CoolPad	Legacy S CP3648A (Boost)	9 (9.0.103.P1.200416.cp3648A)	Pass	Pass
Essential	PH-1 A11 (Sprint)	10 (QQ1A.200105.032)	Pass	Pass
Google	Pixel 2	10 (QQ2A.200305.002)	Pass	Pass
Google	Pixel 2 XL	10 (QP1A.191005.007.A1)	Pass	Pass
Google	Pixel 3	10 (QQ2A.200305.002)	Pass	Pass
Google	Pixel 3 XL	10 (QQ2A.200305.002)	Pass	Pass
Google	Pixel 3a	10 (QQ3A.200605.002)	Pass	Pass
Google	Pixel 3a XL	10 (QQ1A.200105.002)	Pass	Pass
Google	Pixel 4	10 (QQ2A.200501.001.B2)	Pass	Pass
Google	Pixel 4 XL	10 (QQ3A.200605.001)	Pass	Pass
Honor	6A DLI-L22	7.0 (Delhi-L22C432B124)	Pass	Pass
Honor	7A AUM-L29	8.0.0 (AUM-L29 8.0.0.154(C432))	Pass	Pass
Honor	7S DUA-L22	8.1.0 (DUA-L22 1.0.0.150(C432))	Pass	Pass
Honor	7X BND-L21	8.0.0 (BND-L21 8.0.0.341(C432))	Pass	Pass
Honor	8A JAT-L29	9 (9.1.0.273(C432E5R2P1))	Pass	Pass
Honor	8s KSA-LX9	9 (9.1.0.236(C431E5R1P4))	Pass	Pass
Honor	8X JSN-L21	10 (10.0.0.186(C432E5R1P3))	Pass	Pass
Honor	8X Max ARE-AL00	9 (ARE-AL00 9.1.0.165(C00E165R1P5))	Pass	Pass

Interoperability Test Report



Honor	9i LLD-AL20	9 (LLD-AL20 9.1.0.146(C00E120R1P6))	Pass	Pass
Honor	9 Lite LLD-L31	8.0.0 (LLD-L31 8.0.0.121(C432))	Pass	Pass
Honor	9N LLD-AL20	9 (9.1.0.149(C675E1R1P4))	Pass	Pass
Honor	9X HLK-AL00	10 (10.0.1.132(C00E132R5P2))	Pass	Pass
Honor	9X Pro HLK-AL10	10 (10.0.1.132(C00E132R5P2))	Pass	Pass
Honor	10 COL-L29	9 (9.1.0.366(C432E5R1P13))	Pass	Pass
Honor	10 Lite HRY-LX1	9 (9.0.1.262(C432E8R1P12))	Pass	Pass
Honor	20 Lite HRY-LX1T	10 (10.0.0.169(C431E5R1P7))	Pass	Pass
Honor	20i HRY-AL00Ta	10 (10.0.0.160(C00E70R3P7))	Pass	Pass
Honor	20 YAL-L21	10 (10.0.0.198(C431E9R5P1))	Pass	Pass
Honor	20S YAL-AL50	9 (9.1.1.163(C00E156R5P2))	Pass	Pass
Honor	Magic 2 TNY-AL00	10 (10.0.0.196(C00E65R1P11))	Pass	Pass
Honor	Note 10 RVL-AL09	9 (RVL-AL09 9.1.0.338(C00E333R1P11))	Pass	Pass
Honor	Play 3 ASK-AL00x	9 (9.1.1.183(C00E65R3P6))	Pass	Pass
Honor	Play 3e KSA-AL10	9 (9.1.0.130(C00E150R1P7patch01))	Pass	Pass
Honor	V10 BKL-AL00	9 (BKL-AL00 9.1.0.337(C00E333R1P1))	Pass	Pass
Honor	V30 OXF-AN00	10 (3.1.0.212(C00E210R3P1))	Pass	Pass
Honor	View 20 PCT-L29	10 (10.0.0.183(C432E10R2P5))	Pass	Pass
Honor	畅玩6 MYA-AL10	6.0 (Maya-AL10C00B140)	Pass	Pass
Honor	畅玩7C LND-AL30	8.0.0 (LND-AL30 8.0.0.228(C00))	Pass	Pass
Honor	畅玩8 KSA-AL00	9 9.1.0.146(C00E131R2P2))	Pass	Pass
Honor	畅玩8C BKK-AL10	8.1.0 (BKK-AL10 8.2.0.199(C00))	Pass	Pass
HTC	Wildfire X	9 (1.0.400.6)	Pass	Pass
Huawei	Mate 9 MHA-L29	9 (9.1.0.252(C432E7R1P8patch03))	Pass	Pass

Huawei	Mate 10 ALP-L09	8.0.0 (ALP-L09 8.0.0.132(C432))	Pass	Pass
Huawei	Mate 10 Lite RNE-L21	8.0.0 (RNE-L21 8.0.0.346(C432))	Pass	Pass
Huawei	Mate 10 Pro BLA-L09	10 (10.0.0.159(C782E4R1P3))	Pass	Pass
Huawei	Mate 20 HMA-L29	10 (10.1.0.270(C432E8R1P5))	Pass	Pass
Huawei	Mate 20 Lite SNE-LX1	10 (10.0.0.212 (C432E10R1P1))	Pass	Pass
Huawei	Mate 20 Pro LYA-L09	10 (10.0.0.220(C432E7R1P5))	Pass	Pass
Huawei	Mate 20 X EVR-AL00	10 (10.0.0.200(C00E74R1P8))	Pass	Pass
Huawei	Mate 30 Pro LIO-AL00	10 (10.1.0.150(C00E136R5P3patch02))	Pass	Pass
Huawei	Mate 30 TAS-AL00	10 (10.1.0.150(C00E136R5P3patch02))	Pass	Pass
Huawei	Nova 2s HWI-AL00	9.1.0 (HWI-AL009.1.0.217(C00E111R1P9))	Pass	Pass
Huawei	Nova 3 PAR-AL00	9 (PAR-AL00 9.1.0.350(C00E333R1P1))	Pass	Pass
Huawei	Nova 3e ANE-AL00	9 (ANE-AL00 9.1.0.129(C00E126R1P7))	Pass	Pass
Huawei	Nova 2i RNE-L02	8.0.0 (RNE-L02 8.0.0.350(C636))	Pass	Pass
Huawei	Nova 3i INE-LX2	9 (9.1.0.248(C636E1R1P1))	Pass	Pass
Huawei	Nova 4 VCE-AL00	10 (10.0.0.160(C00E32R1P4))	Pass	Pass
Huawei	Nova 4e MAR-AL00	10 (10.0.0.158(C00E64R1P9))	Pass	Pass
Huawei	Nova 5 Pro SEA-AL10	10 (10.0.0.160(C00E160R1P3))	Pass	Pass
Huawei	Nova 5 SEA-AL00	9 (9.1.1.194(C00E185R1P5))	Pass	Pass
Huawei	Nova 5i GLK-AL00	10 (10.0.0.122(C00E110R1P2))	Pass	Pass
Huawei	Nova 5i Pro SPN-AL00	9 (9.1.1.198(C00E196R3P2))	Pass	Pass
Huawei	Nova 5T YAL-L21	10 (10.0.0.200(C431E3R1P2))	Pass	Pass
Huawei	Nova 5z SPN-AL00	9 (9.1.1.198(C00E196R6P2))	Pass	Pass
Huawei	Nova 6 SE JNY-AL10	10 (10.0.1.176(C00E175R3P2))	Pass	Pass
Huawei	Nova Young MYA-L11	6.0 (Maya-L11C02B152)	Pass	Pass
Huawei	P8 lite 2017 PRA-LX1	8.0.0 (PRA-LX1 8.0.0.402(C432))	Pass	Pass

Huawei	P9 EVA-L09	7.0 (EVA-L09C432B386)	Pass	Pass
Huawei	P10 Lite WAS-LX1	8.0.0 (WAS-LX1 8.0.0.390(C432))	Pass	Pass
Huawei	P10 Plus VKY-L09	7.0 (VKY-L09C432B120)	Pass	Pass
Huawei	P10 VTR-L09	7.0 (VTR-L09C432B171)	Pass	Pass
Huawei	P20 EML-L09	10 (10.0.0.161(C782E7R1P3))	Pass	Pass
Huawei	P20 Lite ANE-LX1	9 (9.1.0.325(C782E5R1P7))	Pass	Pass
Huawei	P20 Pro CLT-L09	9 (9.1.0.372(C782E12R1P11))	Pass	Pass
Huawei	P30 ELE-L29	10 (10.0.0.195(C431E22R2P5))	Pass	Pass
Huawei	P30 Lite MAR-LX1A	10 (10.0.0.193(C431E8R2P7))	Pass	Pass
Huawei	P30 Pro VOG-L29	10 (10.0.0.195(C431E19R2P5))	Pass	Pass
Huawei	P Smart (2019) POT-LX1	10 (10.0.0.192(C432E3R1P3))	Pass	Pass
Huawei	P Smart FIG-LX1	9 (9.1.0.206(C782E9R1P5))	Pass	Pass
Huawei	P Smart Z STK-LX1	9 (9.1.0.280(C431E2R1P1))	Pass	Pass
Huawei	Y5 (2017) MYA-L22	6.0 (Maya-L22C636B141)	Pass	Pass
Huawei	Y5 (2018) DRA-L21	8.1.0 (DRA-L21 1.0.0.161(C432))	Pass	Pass
Huawei	Y5 (2019) AMN-LX9	9 (9.1.0.247(C431E4R1P4))	Pass	Pass
Huawei	Y6 (2017) MYA-L41	6.0 (Maya-L41C432B143)	Pass	Pass
Huawei	Y6 (2018) ATU-L21	8.0.0 (ATU-L21 8.0.0.158(C432))	Pass	Pass
Huawei	Y6 (2019) MRD-LX1	9 (9.1.0.302(C782E14R1P7))	Pass	Pass
Huawei	Y6 Pro (2017) SLA-L22	7.0 (SLA-L22C432B132)	Pass	Pass
Huawei	Y7 (2018) LDN-L21	8.0.0 (LDN-L21 8.0.0.154(C432))	Pass	Pass
Huawei	Y7 (2019) DUB-LX1	8.1.0 (DUB-LX1 8.2.0.160(C432))	Pass	Pass
Huawei	Y7 Pro (2019) DUB-LX2	8.1.0 (DUB-LX2 8.2.0.137 (C636))	Pass	Pass
Huawei	Y7 TRT-LX1	7.0 (TRT-LX1C432B173)	Pass	Pass
Huawei	Y9 (2019) JKM-LX2	9 (9.1.0.233(C636E2R1P1))	Pass	Pass

Huawei	Y9 Prime (2019) STK-L22	10 (10.0.0.182(C675E4R4P2))	Pass	Pass
Huawei	畅享 8e ATU-AL10	8.0.0 (ATU-AL10 8.0.0.218(C00))	Pass	Pass
Huawei	畅享 8e 青春版 DRA-AL00	8.1.0 (DRA-AL00 1.0.0.183(C00))	Pass	Pass
Huawei	畅享 9 DUB-AL00	8.1.0 (DUB-AL00 8.2.0.190(C00))	Pass	Pass
Huawei	畅享 9 Plus JKM-AL00a	9 (JKM-AL00a 9.1.0.224(C00E33R1P6))	Pass	Pass
Huawei	畅享 9e MRD-AL00	9 (9.1.0.270(C00E130R2P2))	Pass	Pass
Huawei	畅享 9S POT-AL00a	10 (10.0.0.165(C00E70R2P6))	Pass	Pass
Huawei	畅享 MAX ARS-AL00	9 (9.1.0.165(C00E165R1P5))	Pass	Pass
Huawei	畅享10 ART-AL00x	9 (9.1.1.184(C00E65R3P6))	Pass	Pass
Huawei	畅享10 Plus STK-AL00	10 (10.0.0.161(C00E63R5P3patch02))	Pass	Pass
Huawei	畅享8 LDN-AL00	8.0.0 (LDN-AL00 8.0.0.228(C00))	Pass	Pass
Huawei	畅享8 Plus FLA-AL10	9 (FLA-AL10 9.1.0.136(C00E121R1P6))	Pass	Pass
Huawei	麦芒7 SNE-AL00	10 (SNE-AL00 10.0.0.159(C00E64R1P5))	Pass	Pass
Huawei	麦芒8 POT-AL00	10 (10.0.0.165(C00E70R3P6))	Pass	Pass
Infinix	Hot 8 X650C	9 (X650C-H626DEJ-P-191226V271))	Pass	Pass
Kyocera	DuraForce Pro 2 E6910 (Verizon)	9 (V4.101VZ)	Pass	Pass
Lenovo	Moto C XT1754	7.0 (NRD90M.061)	Pass	Pass
Lenovo	Moto E4 XT1763	7.1.1 (NMA26.42-167)	Pass	Pass
Lenovo	Moto E5 Cruise XT1921-2 (Cricket)	8.0.0 (OCPS27.91-157-28-7)	Pass	Pass
Lenovo	Moto E5 Play XT1921-3 (T-Mobile)	8.0.0 (OCPS27.91-150-14-9)	Pass	Pass
Lenovo	Moto E5 Plus XT1924-4	8.0.0 (OPP27.91-179-4)	Pass	Pass

Interoperability Test Report



Lenovo	Moto E5 XT1944-1	8.0.0 (OPPS27.91-176-4)	Pass	Pass
Lenovo	Moto E6 XT2005-1 (Verizon)	9 (PCB29.73-81-10)	Pass	Pass
Lenovo	Moto G5S XT1793	8.1.0 (OPPS28.65-37-7-4)	Pass	Pass
Lenovo	Moto G6 Play XT1922-2	9 (PPS29.55-35-18-7)	Pass	Pass
Lenovo	Moto G6 Plus XT1926-2	9 (PPW29.116-20-6)	Pass	Pass
Lenovo	Moto G6 XT1925-12 (Verizon)	9 (PDSS29.118-15-11-13)	Pass	Pass
Lenovo	Moto G7 Play XT1952-2	10 (QPYS30.52-22-2)	Pass	Pass
Lenovo	Moto G7 Plus XT1965-2	9 (PPWS29.98-111-5)	Pass	Pass
Lenovo	Moto G7 Power XT1955-1	9 (PPOS29.114-134-13)	Pass	Pass
Lenovo	Moto Z3 Play XT1929-3 (Sprint)	9 (PCWS29.85-36-14)	Pass	Pass
Lenovo	Moto Z4 XT1980-4 (Verizon)	10 (QDFS30.130-42-1-2)	Pass	Pass
LG	Aristo 2 Plus X212TA (T-Mobile)	8.1.0 (X212TA20j)	Pass	Pass
LG	Aristo 2 X210MA (Metro PCS)	8.1.0 (X210MA20l)	Pass	Pass
LG	Aristo 3 X220MA (MetroPCS)	9 (X220MA20d)	Pass	Pass
LG	Aristo 3+ X220MB (MetroPCS)	9 (X220MB20d)	Pass	Pass
LG	G7 ThinQ G710EM	9 (V20k-EUR-XX)	Pass	Pass
LG	G8 ThinQ G820UMB (Verizon)	10 (G820UM20b)	Pass	Pass
LG	G8s ThinQ G810EAW	9 (V10q-EEA-XX)	Pass	Pass
LG	G8X ThinQ G850UM (AT&T)	9 (G850UM10o)	Pass	Pass
LG	Harmony 3 X420CS (Cricket)	9 (X420CS10d)	Pass	Pass
LG	Journey LTE L322DL (TracFone)	9 (L322DL12b)	Pass	Pass
LG	K8 (2017) M200n	8.1.0 (V20a-EUR-XX)	Pass	Pass

LG	K10 (2017) M250n	8.1.0 (V20d-EUR-XX)	Pass	Pass
LG	K11 X410EO	7.1.2 (V10i-EUR-XX)	Pass	Pass
LG	K40 X420EMW	9 (V20f-EEA-XX)	Pass	Pass
LG	K50 X520EMW	9 (V10m-EEA-XX)	Pass	Pass
LG	K50S X540EMW	9 (V10g-EEA-XX)	Pass	Pass
LG	Phoenix 4 X210APM (AT&T)	8.1.0 (X210APM20I)	Pass	Pass
LG	Premier Pro LTE L413DL (TracFone)	8.1.0 (L413DL21k)	Pass	Pass
LG	Q6 M700n	8.1.0 (V20e-EUR-XX)	Pass	Pass
LG	Q60 X525EAW	9 (V10m-EEA-XX)	Pass	Pass
LG	Q7+ Q610TA (T-Mobile)	8.1.0 (Q610TA20a)	Pass	Pass
LG	Rebel 4 L212VL (TracFone)	8.1.0 (L212VL16f)	Pass	Pass
LG	Risio 3 X210CMR (Cricket)	8.1.0 (X210CMR20i)	Pass	Pass
LG	Stylo 4 + Q710WA (AT&T)	8.1.0 (Q710WA10I)	Pass	Pass
LG	Stylo 4 Q710CS (Cricket)	8.1.0 (Q710CS11d)	Pass	Pass
LG	Stylo 5 Q720CS (Cricket)	9 (Q720CS10n)	Pass	Pass
LG	Stylo 5+ Q720AM (AT&T)	9 (Q720AM10e)	Pass	Pass
LG	Tribute Empire X220PM (Sprint)	8.1.0 (X220PM19a)	Pass	Pass
LG	Tribute Royal X320PM (Sprint)	9 (X320P13a)	Pass	Pass
LG	V30 H930	8.0.0 (V21w-EUR-XX)	Pass	Pass
LG	W30 X440IM	9 (V1.22_11102019)	Pass	Pass
LG	V35 ThinQ V350AWM (AT&T)	8.0.0 (V350AWM12a)	Pass	Pass
LG	V40 ThinQ V405EBW	9 (V20f-EUR-XX)	Pass	Pass
LG	V50 ThinQ 5G V450PM (Sprint)	10 (V450P20a)	Pass	Pass

Interoperability Test Report



Meizu	16s M971Q	8.1.0.0A	Pass	Pass
Meizu	C9 M818H	8.1.0 (Meizu 8.1.2.4G)	Pass	Pass
Motorola	Moto E6 Plus XT2025-1	9 (PTAS29.401-36-3)	Pass	Pass
Motorola	Moto G8 Plus XT2019-1	9 (PPI29.65-51)	Pass	Pass
Motorola	One Action XT2013-2	10 (QSBS30.62-17-7)	Pass	Pass
Motorola	One Power XT1942-2	10 (QPTS30.61-18-4)	Pass	Pass
Motorola	One Vision XT1970-1	10 (QSAS30.62-24-7)	Pass	Pass
Motorola	One XT1941-4	9 (PPKS29.68-16-36-13)	Pass	Pass
Motorola	One Zoom XT2010-1	9 (PPHS29.59-49-14)	Pass	Pass
Nokia	1 TA-1060	10 (00WW_3_090)	Pass	Pass
Nokia	2	7.1.1 (00WW_0_680_SP12)	Pass	Pass
Nokia	2 V TA-1136 (Verizon)	9 (00WW_1_13H)	Pass	Pass
Nokia	2.1	9 (00WW_1_13F_SP01)	Pass	Pass
Nokia	2.2	9 (00WW_1_630_SP02)	Pass	Pass
Nokia	3	9 (00WW_5_120_SP01)	Pass	Pass
Nokia	3.1	9 (00WW_3_25B)	Pass	Pass
Nokia	3.1 Plus	9 (00WW_2_25H_SP01)	Pass	Pass
Nokia	3.2	9 (00WW_1_39D)	Pass	Pass
Nokia	4.2	9 (00WW_1_41B)	Pass	Pass
Nokia	5	9 (00WW_6_19B_SP01)	Pass	Pass
Nokia	6.1 Plus	9 (00WW_3_54H_SP01)	Pass	Pass
Nokia	7.1	9 (00WW_3_54E)	Pass	Pass
Nokia	7.2	10 (00WW_2_270_SP02)	Pass	Pass
Nokia	8.1	10 (00WW_4_30B_SP01)	Pass	Pass
Nokia	9 PureView	10 (00WW_5_13D_SP05)	Pass	Pass

OnePlus	5 A5000	9.0.4 (ONEPLUS A5000_23_190222)	Pass	Pass
OnePlus	5T A5010	9.0.4 (ONEPLUS A5010_43_190222)	Pass	Pass
OnePlus	6 A6003	10.3.2 (ONEPLUS A6003_22_200222)	Pass	Pass
OnePlus	6T A6013	10.3.2 (ONEPLUS A6013_41_200222)	Pass	Pass
OnePlus	7 GM1901	10.0.3 (Oxygen OS 10.0.3.GM57AA)	Pass	Pass
OnePlus	7 Pro GM1911	10.3.0 (Oxygen OS 10.3.0.GM21AA)	Pass	Pass
OnePlus	7T HD1903	10 (10.0.9.HD65BA)	Pass	Pass
OnePlus	7T Pro 5G HD1925 (T-Mobile)	10 (10.0.35.HD61CB)	Pass	Pass
OnePlus	7T Pro HD1913	10.0.9 (Oxygen OS 10.0.9.HD01BA)	Pass	Pass
OPPO	A1k CPH1923	6.0.1 (CPH1923EX_11_A.29)	Pass	Pass
OPPO	A3	6.0.1 (PADM00_11_C.17_bd025249)	Pass	Pass
OPPO	A3s CPH1803	5.2.1 (CPH1803EX_11_A.19)	Pass	Pass
OPPO	A5	5.2.1 (PBAM00_11_A.28_8142b5bb)	Pass	Pass
OPPO	A5 (2020) CPH1931	6.0.1 (CPH1931EX_11_A.49)	Pass	Pass
OPPO	A5s CPH1909	5.2.1 (CPH1909EX_11_A.33)	Pass	Pass
OPPO	A7 CPH1901	5.2 (CPH1901EX_11_A.11)	Pass	Pass
OPPO	A71 (2018) CPH1801	3.2 (CPH1801EX_11_A.15_181212)	Pass	Pass
OPPO	A71 CPH1717	3.1 (CPH1717EX_11_A.23_190809)	Pass	Pass
OPPO	A73	5.2.1 (A73_11_A.46_200609_3fc0b1a1)	Pass	Pass
OPPO	A79	5.2.1 (A79_11_A.46_200609_00000000)	Pass	Pass
OPPO	A7X	6.0 (PBBM00_11_C.15_6fecda99)	Pass	Pass
OPPO	A83	5.2.1 (A83_11_A.37_200307)	Pass	Pass
OPPO	A9	6.0 (PCAM10_11_A.19_10d3a3db)	Pass	Pass
OPPO	A9 (2020) CPH1937	6.0.1 (CPH1937EX_11_A.51)	Pass	Pass
OPPO	A9x	6.0 (PCEM00_11_A.19_10d3a3db)	Pass	Pass

OPPO	Find X	7.1 (PAFM00_11_F.12_8527490b)	Pass	Pass
OPPO	A11	6.0.1 (PCHM10_11_A.51_7e1188e7)	Pass	Pass
OPPO	A11x	6.0.1 (PCHM30_11_A.51_7e1188e7)	Pass	Pass
OPPO	AX5s CPH1920	5.2.1 (CPH1920EX_11_A.11)	Pass	Pass
OPPO	F11 CPH1911	6.0.1 (CPH1911EX_11_A.45)	Pass	Pass
OPPO	F11 Pro CPH1969	6.0.1 (CPH1969EX_11_A.40)	Pass	Pass
OPPO	F5 CPH1723	3.2 (CPH1723EX_11_A.31_181128)	Pass	Pass
OPPO	F5 Youth CPH1725	3.2 (CPH1725EX_11_A.30_181017)	Pass	Pass
OPPO	F7 CPH1819	5.2.1 (CPH1819EX_11_A.38)	Pass	Pass
OPPO	F9 CPH1881	5.2.1 (CPH1881EX_11_A.20)	Pass	Pass
OPPO	F9 Pro CPH1823	5.2 (CPH1823EX_11_A.17_190612)	Pass	Pass
OPPO	K1	6.0.1 (PBCM30_11_C.62_f9580186)	Pass	Pass
OPPO	K3	6.0 (PCGM00_11_A.06_cdae3041)	Pass	Pass
OPPO	K5	6.1 (PCNM00_11_A.20_6263c307)	Pass	Pass
OPPO	R11s	6.0.1 (R11s_11_C.17_09d86790)	Pass	Pass
OPPO	R15	6.0.1 (PACM00_11_C.17_bd025249)	Pass	Pass
OPPO	R15x	6.0.1 (PBCM10_11_C.62_f9580186)	Pass	Pass
OPPO	R17	7 (PBEM00_11_F.12_223ccab5)	Pass	Pass
OPPO	R17 Pro	7 (PBDM00_11_F.08_10082615)	Pass	Pass
OPPO	Reno Ace	7 (PCLM10_11_C.24_c9be65dd)	Pass	Pass
OPPO	Reno2	7 (PCKM00_11_C.13_cfdb7836)	Pass	Pass
OPPO	Reno3	7.1 (PDCM00_11_A.17_42c60c6e)	Pass	Pass
OPPO	Reno 10x Zoom CPH1919	6.0 (CPH1919EX_11_A.20)	Pass	Pass
OPPO	Reno CPH1917	7 (CPH1917EX_11_C.26)	Pass	Pass
OPPO	Reno Z CPH1979	6.0 (CPH1979EX_11_A.21)	Pass	Pass

Interoperability Test Report



OPPO	Reno2 F CPH1989	6.1 (CPH1989EX_11_A.17)	Pass	Pass
OPPO	Reno2 Z CPH1945	6.1 (CPH1945EX_11_A.23)	Pass	Pass
OPPO	RX17 Neo CPH1893	5.2 (CPH1893EX_11_A.10)	Pass	Pass
Pocophone	F1	11.0.8.0 (QEJMIXM)	Pass	Pass
Razer	Phone 2	9 (P-SMR4-RC001-RZR-200616.3181)	Pass	Pass
RealMe	2 Pro RMX1801	6.0 (RMX1801EX_11_C.31)	Pass	Pass
RealMe	2 RMX1805	6.0 (RMX1805EX_11_A.68)	Pass	Pass
RealMe	3 Pro RMX1851	7 (RMX1851_11_C.05)	Pass	Pass
RealMe	3 RMX1825	6.0 (RMX1825EX_11_A.28)	Pass	Pass
RealMe	3i RMX1827	6.0 (RMX1827EX_11_A.28)	Pass	Pass
RealMe	5 Pro RMX1971	7 (RMX1971_11_C.04)	Pass	Pass
RealMe	5 RMX1911	6.0.1 (RMX1911EX_11_A.29)	Pass	Pass
RealMe	C1 RMX1811	6.0 (RMX1811EX_11_A.68)	Pass	Pass
RealMe	C2 RMX1945	6.0 (RMX1945EX_11_A.25)	Pass	Pass
RealMe	U1 RMX1831	6.0 (RMX1831EX_11.C.19)	Pass	Pass
RealMe	X RMX1901	10 (RMX1901_11_C.11_0e109e45)	Pass	Pass
RealMe	X2 Pro RMX1931	10 (RMX1931EX_11_C.27)	Pass	Pass
RealMe	X2 RMX1992	6.1 (RMX1992EX_11_A.19)	Pass	Pass
RealMe	XT RMX1921	7 (RMX1921_11_C.01)	Pass	Pass
Samsung	Galaxy A3 (2017) A320F/DS	8.0.0 (R16NW.A320FXXS6CTE1)	Pass	Pass
Samsung	Galaxy A30 A305F/DS	10 (QP1A.190711.020.A305FDDU4BTB3)	Pass	Pass
Samsung	Galaxy A30s A307FN/DS	10 (QP1A.190711.020.A307FNXXU2BTE1)	Pass	Pass
Samsung	Galaxy A40 A405FN/DS	10 (QP1A.190711.020.A405FNXXU3BTD4)	Pass	Pass
Samsung	Galaxy A40s A3050	10 (QP1A.190711.020.A3050ZCU2BTF1)	Pass	Pass
Samsung	Galaxy A5 (2017) A520F/DS	8.0.0 (R16NW.A520FXXSBCSG2)	Pass	Pass

Interoperability Test Report



Samsung	Galaxy A50 A505F/DS	10 (QP1A.190711.020.A505FDDU5BTF1)	Pass	Pass
Samsung	Galaxy A50s A507FN/DS	10 (QP1A.190711.020.A507FNXXU3BTB2)	Pass	Pass
Samsung	Galaxy A6 A600FN/DS	9 (PPR1.180610.011.A600FNXXU4BSH2)	Pass	Pass
Samsung	Galaxy A6+ A605FN/DS	8.0.0 (R16NW.A605FNXXU3ARL3)	Pass	Pass
Samsung	Galaxy A7 (2017) A720F/DS	8.0.0 (R16NW.A720FXXU8CSJ2)	Pass	Pass
Samsung	Galaxy A7 (2018) A750FN/DS	10 (QP1A.190711.020.A750FNXXU4CTC4)	Pass	Pass
Samsung	Galaxy A70 A705GM/DS	10 (QP1A.190711.020.A705GMDDU5BTF1)	Pass	Pass
Samsung	Galaxy A70s A707F/DS	10 (QP1A.190711.020.A707FDDU2BTC2)	Pass	Pass
Samsung	Galaxy A8 (2018) A530F/DS	7.1.1 (NMF26X.A530FXXU1AQL2)	Pass	Pass
Samsung	Galaxy A8+ (2018) A730F/DS	9 (PPR1.180610.011.A730FXXU7CSK1)	Pass	Pass
Samsung	Galaxy A80 A805F/DS	10 (QP1A.190711.020.A805FXXU4BTC3)	Pass	Pass
Samsung	Galaxy A9 (2018) A920F/DS	9 (PPR1.180610.011.A920FXXU2BSK3)	Pass	Pass
Samsung	Galaxy A90 5G A908B	10 (QP1A.190711.020.A908BXXU3BTE3)	Pass	Pass
Samsung	Galaxy A10 A105F/DS	9 (PPR1.180610.011.A105FDDU3ASK1)	Pass	Pass
Samsung	Galaxy A10e A102U (AT&T)	10 (QP1A.190711.020.A102USQU6BTE4)	Pass	Pass
Samsung	Galaxy A10s A107F/DS	10 (QP1A.190711.020.A107FXXU6BTF1)	Pass	Pass
Samsung	Galaxy A20 A205G/DS	10 (QP1A.190711.020.A205GUBU5BTD2)	Pass	Pass
Samsung	Galaxy A20e A202F/DS	10 (QP1A.190711.020.A202FXXU3BTD1)	Pass	Pass
Samsung	Galaxy A20s A207F/DS	10 (QP1A.190711.020.A207FXXU2BTE1)	Pass	Pass
Samsung	Galaxy J2 (2018) J250Y/DS	7.1.1 (NMF26X.J250YXXU2ASK1)	Pass	Pass
Samsung	Galaxy J2 Core J260G/DS	8.1.0 (M1AJB.J260GDDU6ATF3)	Pass	Pass
Samsung	Galaxy J2 Pro (2018) J250F/DS	7.1.1 (NMF26X.J250FDXS2AS1)	Pass	Pass
Samsung	Galaxy J2 Pure J260AZ (Cricket)	9 (PPR1.180610.011.J260AZTUS5BSK1)	Pass	Pass
Samsung	Galaxy J3 (2017) J330F/DS	9 (PPR1.180610.011.J330FXXU3CSG7)	Pass	Pass

Samsung	Galaxy J3 Eclipse J327V (Verizon)	8.1.0 (M1AJQ.J327VVR53BTB1)	Pass	Pass
Samsung	Galaxy J4 Core J410G/DS	8.1.0 (M1AJB.J410GUBS1ASK1)	Pass	Pass
Samsung	Galaxy J4 J400F/DS	9 (PPR1.180610.011.J400FXXU4BSK1)	Pass	Pass
Samsung	Galaxy J4+ J415FN/DS	9 (PPR1.180610.011.J415FNXXS6BTB3)	Pass	Pass
Samsung	Galaxy J5 (2017) J530F/DS	9 (PPR1.180610.011.J530FXXU5CSK7)	Pass	Pass
Samsung	Galaxy J6 J600FN/DS	10 (QP1A.190711.020.J600FNXXU7CTC8)	Pass	Pass
Samsung	Galaxy J6+ J610FN/DS	9 (PPR1.180610.011.J610FNXXS5BTE6)	Pass	Pass
Samsung	Galaxy J7 (2016) J710FN	8.1.0 (M1AJQ.J710FXXU6CSK1)	Pass	Pass
Samsung	Galaxy J7 (2017) J730F/DS	9 (PPR1.180610.011.J730FXXU4CSF1)	Pass	Pass
Samsung	Galaxy J7 (2018) J737A (AT&T)	9 (PPR1.180610.011.J737AUCU6BTA3)	Pass	Pass
Samsung	Galaxy J7 Core J701F/DS	9 (PPR1.180610.011.J701FXXU6CSF2)	Pass	Pass
Samsung	Galaxy J7 Crown S767VL (TracFone)	9 (PPR1.180610.011.S767VLUDS6BTA1)	Pass	Pass
Samsung	Galaxy J7 Nxt J701F/DS	8.1.0 (M1AJQ.J701FDDU6BRL2)	Pass	Pass
Samsung	Galaxy J8 J810G/DS	10 (QP1A.190711.020.J810GDDU3CTG3)	Pass	Pass
Samsung	Galaxy M10 M105F/DS	9 (PPR1.180610.011.M105FDDS3BTB4)	Pass	Pass
Samsung	Galaxy M10s M107F/DS	9 (PPR1.180610.011.M107FXXU1ASK1)	Pass	Pass
Samsung	Galaxy M20 M205F/DS	10 (QP1A.190711.020.M205FDDU4CTC1)	Pass	Pass
Samsung	Galaxy M30 M305F/DS	10 (QP1A.190711.020.M305FDDU3CSL5)	Pass	Pass
Samsung	Galaxy M30s M307F/DS	10 (QP1A.190711.020.M307FXXU3BTG1)	Pass	Pass
Samsung	Galaxy M40 M405F/DS	10 (QP1A.190711.020.M405FDDU2BTF3)	Pass	Pass
Samsung	Galaxy Note 10 N9700	10 (QP1A.190711.020.N9700ZCU2CTF2)	Pass	Pass
Samsung	Galaxy Note 8 N9500	9 (PPR1.180610.011.N9500ZC6DTE2)	Pass	Pass
Samsung	Galaxy Note 8 N950F	9 (PPR1.180610.011.N950FXXSBDTEG)	Pass	Pass

Interoperability Test Report



Samsung	Galaxy Note 9 N9600	10 (QP1A.N9600ZCS4DTD5)	Pass	Pass
Samsung	Galaxy Note 9 N960F/DS	10 (QP1A.190711.020.N960FXXU5ETF5)	Pass	Pass
Samsung	Galaxy Note 10 N970F/DS	10 (QP1A.190711.020.N970FXXS4CTD1)	Pass	Pass
Samsung	Galaxy Note 10+ N975F/DS	10 (QP1A.190711.020.N975FXXU4CTE9)	Pass	Pass
Samsung	Galaxy Note 10+ N975U (AT&T)	10 (QP1A.190711.020.N975USQU3CTCA)	Pass	Pass
Samsung	Galaxy Note FE N935F/DS	9 (PPR1.180610.011.N935FXXS7CTE1)	Pass	Pass
Samsung	Galaxy S7 Edge G935F	8.0.0 (R16NW.G935FXXS8ETC1)	Pass	Pass
Samsung	Galaxy S7 G930F	8.0.0 (R16NW.G930FXXS8ETC1)	Pass	Pass
Samsung	Galaxy S8 G950F	9 (PPR1.180610.011.G950FXXS9DTEA)	Pass	Pass
Samsung	Galaxy S8 G9500	9 (PPR1.180610.011.G9500ZCU5DTF3)	Pass	Pass
Samsung	Galaxy S8+ G9550	9 (PPR1.180610.011.G9550ZCU5DTE3)	Pass	Pass
Samsung	Galaxy S8+ G955F	9 (PPR1.180610.011.G955FXXU9DTF1)	Pass	Pass
Samsung	Galaxy S9 G960F	10 (QP1A.190711.020.G960FXXU9ETF5)	Pass	Pass
Samsung	Galaxy S9 G9600	10 (QP1A.G9600ZCS6DTD5)	Pass	Pass
Samsung	Galaxy S9+ G9650	10 (QP1A.190711.020.G9650ZCS6DTD5)	Pass	Pass
Samsung	Galaxy S9+ G965F	10 (QP1A.190711.020.G965FXXUAETG3)	Pass	Pass
Samsung	Galaxy S10 5G G977U (Verizon)	10 (QP1A.190711.020.G977UVRS4CTD5)	Pass	Pass
Samsung	Galaxy S10 G9730	10 (QP1A.190711.020.G9730ZCU3CTE9)	Pass	Pass
Samsung	Galaxy S10 G973F/DS	10 (QP1A.190711.020.G973FXXS7CTF3)	Pass	Pass
Samsung	Galaxy S10e G970F/DS	10 (QP1A.190711.020.G970FXXS6CTE6)	Pass	Pass
Samsung	Galaxy S10e G9700	10 (QP1A.190711.020.G9700ZCU3CTE9)	Pass	Pass
Samsung	Galaxy S10+ G9750	10 (QP1A.190711.020.G9750ZCU3CTE9)	Pass	Pass
Samsung	Galaxy S10+ G975F/DS	10 (QP1A.190711.020.G975FXXS6CTE6)	Pass	Pass
Samsung	Galaxy Xcover 4 G390F	9 (PPR1.180610.011.G390FXXU4CSF9)	Pass	Pass

Interoperability Test Report



Samsung	Galaxy Xcover 4s G398FN/DS	9 (PPR1.180610.011.G398FNXXS2ASL5)	Pass	Pass
Sony	Xperia 1 J8110	10 (55.1.A.8.1)	Pass	Pass
Sony	Xperia 10 I3113	10 (53.1.A.3.34)	Pass	Pass
Sony	Xperia 10 Plus I3213	9 (53.0.A.14.47)	Pass	Pass
Sony	Xperia 5 J8210	10 (55.1.A.9.21)	Pass	Pass
Sony	Xperia L3 I3312	8.1.0 (54.0.A.6.35)	Pass	Pass
Sony	Xperia XA2 H3113	9 (50.2.A.3.22)	Pass	Pass
T-Mobile	Revl 2 Plus 6062Z (T-Mobile)	8.1.0 (AIOUMO1)	Pass	Pass
Vivo	iQOO Neo 855 V1936A	10 (PD1936C_A_7.8.1)	Pass	Pass
Vivo	iQOO Neo V1914A	9 (PD1914_A_7.7.1)	Pass	Pass
Vivo	iQOO Pro V1922A	10 (PD1922_A_7.7.0)	Pass	Pass
Vivo	iQOO V1824BA	9 (PD1824B_A_7.1.10)	Pass	Pass
Vivo	Nex 3 V1923A	10 (PD1923_A_6.12.3)	Pass	Pass
Vivo	NEX A	9 (PD1806_A_7.8.6)	Pass	Pass
Vivo	NEX双屏版 V1821A	10 (PD1821_A_6.9.7)	Pass	Pass
Vivo	S1 1907	9 (PD1913F_EX_A_1.9.5)	Pass	Pass
Vivo	S1 Pro V1832A	9 (PD1832_E_1.27.4)	Pass	Pass
Vivo	S5 V1932A	9.2 (PD1932_A_1.10.9)	Pass	Pass
Vivo	U1 V1818A	9 (PD1818G_A_5.8.5)	Pass	Pass
Vivo	U3 V1941A	9.2 (PD1941_A_1.11.3)	Pass	Pass
Vivo	U3x V1928A	9.1 (PD1928D_A_1.13.4)	Pass	Pass
Vivo	U10 1916	9.1 (PD1928BF_EX_A_1.10.7)	Pass	Pass
Vivo	U20 1921	9.2 (PD1941F_EX_A_1.5.13)	Pass	Pass
Vivo	V11 1806	9 (PD1813F_EX_A_6.13.11)	Pass	Pass

Interoperability Test Report



Vivo	V11 Pro 1804	9 (PD1814F_EX_A_6.12.15)	Pass	Pass
Vivo	V15 1819	9 (PD1831F_EX_A_1.24.8)	Pass	Pass
Vivo	V15 Pro 1818	9 (PD1832F_EX_A_1.26.10)	Pass	Pass
Vivo	V17 1919	10 (PD1948F_EX_A_6.10.4)	Pass	Pass
Vivo	V17 Pro 1909	9.1 (PD1931F_EX_A_1.11.8)	Pass	Pass
Vivo	V7 1718	4.0 (PD1718F_EX_A_3.13.2)	Pass	Pass
Vivo	V9 1723	4.0 (PD1730F_EX_A_1.10.12)	Pass	Pass
Vivo	V9 PRO 1851	9 (PD1730DF_EX_A_6.8.2)	Pass	Pass
Vivo	X20 Plus	4.0 (PD1710_A_8.10.0)	Pass	Pass
Vivo	X21	9 (PD1728_A_7.10.1)	Pass	Pass
Vivo	X21i A	9 (PD1801_A_6.16.0)	Pass	Pass
Vivo	X21s V1814A	10 (PD1814_A_7.0.6)	Pass	Pass
Vivo	X23 V1809A	10 (PD1809_A_7.5.16)	Pass	Pass
Vivo	X27 Pro V1836A	10 (PD1836_A_6.18.5)	Pass	Pass
Vivo	X27 V1838A	10 (PD1838_A_6.18.4)	Pass	Pass
Vivo	X30 V1938CT	10 (PD1938C_A_1.19.3)	Pass	Pass
Vivo	Y7s V1913A	9 (PD1913_A_1.10.5)	Pass	Pass
Vivo	Y12 1904	9 (PD1901EF_EX_A_1.52.0)	Pass	Pass
Vivo	Y15 1901	9 (PD1901BF_EX_A_1.52.0)	Pass	Pass
Vivo	Y17 1902	9 (PD1901F_EX_A_1.52.0)	Pass	Pass
Vivo	Y19 1915	9.2 (PD1934F_EX_A_1.9.29)	Pass	Pass
Vivo	Y71 1724	4.0 (PD1731F_EX_A_1.13.3)	Pass	Pass
Vivo	Y73 V1731CA	9 (PD1731C_A_5.9.0)	Pass	Pass
Vivo	Y75s	4.0 (PD1708C_A_6.2.3)	Pass	Pass
Vivo	Y81 1803	4.0 (PD1732F_EX_A_2.6.2)	Pass	Pass

Vivo	Y81i 1812	4.0 (PD1732CF_EX_A_1.21.0)	Pass	Pass
Vivo	Y83 1802	4.0 (PD1803BF_EX_A_1.19.2)	Pass	Pass
Vivo	Y85A	9 (PD1730_A_5.12.3)	Pass	Pass
Vivo	Y9s V1945A	9.2 (PD1945_A_1.10.7)	Pass	Pass
Vivo	Y90 1908	4.5 (PD1917F_EX_A_1.21.6)	Pass	Pass
Vivo	Y91 1816	4.5 (PD1818GF_EX_A_1.18.3)	Pass	Pass
Vivo	Y91i 1820	4.5 (PD1818HF_EX_A_1.18.3)	Pass	Pass
Vivo	Y93 V1818A	9 (PD1818_A_5.8.5)	Pass	Pass
Vivo	Y93s V1818CA	9 (PD1818C_A_5.8.6)	Pass	Pass
Vivo	Y95 1807	4.5 (PD1818F_EX_A_1.19.6)	Pass	Pass
Vivo	Y97 V1813A	9 (PD1813_A_5.12.0)	Pass	Pass
Vivo	Z1 Pro 1951	9 (PD1911F_EX_A_1.6.10)	Pass	Pass
Vivo	Z1x 1917	9.1 (PD1921BF_EX_A_1.11.4)	Pass	Pass
Vivo	Z1 V1801A0	9 (PD1730C_A_6.13.0)	Pass	Pass
Vivo	Z1 青春版 V1730EA	9 (PD1730E_A_5.11.2)	Pass	Pass
Vivo	Z1i V1730DA	9 (PD1730D_A_6.13.0)	Pass	Pass
Vivo	Z3 V1813BA	10 (PD1813B_A_7.7.12)	Pass	Pass
Vivo	Z3i V1813A	9 (PD1813E_A_6.16.5)	Pass	Pass
Vivo	Z3x V1730GA	9 (PD1730G_A_6.8.0)	Pass	Pass
Vivo	Z5 V1921A	9.1 (PD1921C_A_1.11.0)	Pass	Pass
Vivo	Z5x V1911A	9 (PD1911B_A_1.11.2)	Pass	Pass
Wiko	Sunny 3	8.1.0 (OPM2.171019.012)	Pass	Pass
Wiko	Tommy 3	8.1.0 (O11019)	Pass	Pass
Wiko	View3	9 (PPR1.180610.011 release-keys)	Pass	Pass

Xiaomi	Black Shark 2	10 (SKYW2006020CN00MQ2)	Pass	Pass
Xiaomi	CC9 Pro	11.1.2.0 (QFDCNXM)	Pass	Pass
Xiaomi	小米 Play	11.0.6 (11.0.6.0(OFICNXM))	Pass	Pass
Xiaomi	小米8	11.0.8.0 (QEACNXM)	Pass	Pass
Xiaomi	小米8 SE	11.0.3 (11.0.3.0 (QEBCNXM))	Pass	Pass
Xiaomi	小米Mix 2S	11.0.3 (11.0.3.0 (QDGCNXM))	Pass	Pass
Xiaomi	小米 Max 3	11.0.4 (11.0.4.0(QEDCNXM))	Pass	Pass
Xiaomi	红米 6 Pro	11.0.6 (11.0.6.0 (PDICNXM))	Pass	Pass
Xiaomi	Mi 8青春版	11.0.2.0 (QDTCNXM)	Pass	Pass
Xiaomi	Mi 9	11.0.9 (11.0.9.0(QFACNXM))	Pass	Pass
Xiaomi	Mi 9 Lite	11.0.1.0 (QFCMIXM)	Pass	Pass
Xiaomi	Mi 9 Pro 5G	11.0.6 (11.0.6.0(QFXCNXM))	Pass	Pass
Xiaomi	Mi 9 SE	11.0.3.0 (11.0.3.0(PFBCNXM))	Pass	Pass
Xiaomi	Mi 9T	11.0.5.0 (QFJEUXM)	Pass	Pass
Xiaomi	Mi 9T Pro	11.0.6.0 (QFKEUXM)	Pass	Pass
Xiaomi	Mi A1	9 (PKQ1.180917.001.V10.0.22.0.PDHMI)	Pass	Pass
Xiaomi	Mi A2	10 (QKQ1.190910.002V11.0.11.0.QDIMI)	Pass	Pass
Xiaomi	Mi A2 Lite	9 (PKQ1.180917.001.V10.0.12.0)	Pass	Pass
Xiaomi	Mi A3	10 (QKQ1.190910.002.V11.0.3.0.QFQE)	Pass	Pass
Xiaomi	Redmi 5	11.0.2.0(ODAMIXM)	Pass	Pass
Xiaomi	Redmi 5 Plus	11.0.2.0 (OEGMIXM)	Pass	Pass
Xiaomi	Redmi 5A	11.0.2.0 (OCKMIXM)	Pass	Pass
Xiaomi	Redmi 6	11.0.4.0(PCGMIXM)	Pass	Pass

Xiaomi	Redmi 6A	11.0.8.0 (PCBMIXM)	Pass	Pass
Xiaomi	Redmi 7	11.0.7.0 (PFLEUXM)	Pass	Pass
Xiaomi	Redmi 7A	11.0.1.0 (QCMCNXM)	Pass	Pass
Xiaomi	Redmi 8	11.0.11.0 PCNCNXM)	Pass	Pass
Xiaomi	Redmi 8A	11.0.10.0 (PCPCNXM)	Pass	Pass
Xiaomi	Redmi Go	8.1.0 (OPM1.171019.026.V10.2.10.0)	Pass	Pass
Xiaomi	Redmi K30	11.0.15 (11.0.15.0 (QGHCNXM))	Pass	Pass
Xiaomi	Redmi Note 5	11.0.2.0 (OEGMIXM)	Pass	Pass
Xiaomi	Redmi Note 5 Pro	11.0.3.0 (PEIMIXM)	Pass	Pass
Xiaomi	Redmi Note 6 Pro	11.0.4.0 (PEKMIXM)	Pass	Pass
Xiaomi	Redmi Note 7	11.0.8.0 (PFGEUXM)	Pass	Pass
Xiaomi	Redmi Note 7 Pro	11.0.9.0 (PFHINXM)	Pass	Pass
Xiaomi	Redmi Note 8	11.0.6.0 (PCOCNXM)	Pass	Pass
Xiaomi	Redmi Note 8 Pro	11.0.3.0 (PGGCNXM)	Pass	Pass
Xiaomi	Redmi S2	11.0.5.0 (PEFMIXM)	Pass	Pass
Xiaomi	Redmi Y2	11.0.2.0 (PEFMIXM)	Pass	Pass
Xiaomi	Redmi Y3	11.0.9.0 (PFFINXM)	Pass	Pass



ATMOSIC TECHNOLOGIES - DISCLAIMER

This product document is intended to be a general informational aid and not a substitute for any literature or labeling accompanying your purchase of the Atmosic product. Atmosic reserves the right to amend its product literature at any time without notice and for any reason, including to improve product design or function. While Atmosic strives to make its documents accurate and current, Atmosic makes no warranty or representation that the information contained in this document is completely accurate, and Atmosic hereby disclaims (i) any and all liability for any errors or inaccuracies contained in any document or in any other product literature and any damages or lost profits resulting therefrom; (ii) any and all liability and responsibility for any action you take or fail to take based on the information contained in this document; and (iii) any and all implied warranties which may attach to this document, including warranties of fitness for particular purpose, non-infringement and merchantability. Consequently, you assume all risk in your use of this document, the Atmosic product, and in any action you take or fail to take based upon the information in this document. Any statements in this document in regard to the suitability of an Atmosic product for certain types of applications are based on Atmosic's general knowledge of typical requirements in generic applications and are not binding statements about the suitability of Atmosic products for any particular application. It is your responsibility as the customer to validate that a particular Atmosic product is suitable for use in a particular application. All content in this document is proprietary, copyrighted, and owned or licensed by Atmosic, and any unauthorized use of content or trademarks contained herein is strictly prohibited.

Copyright ©2020-2021 by Atmosic Technologies. All rights reserved.

www.atmosic.com